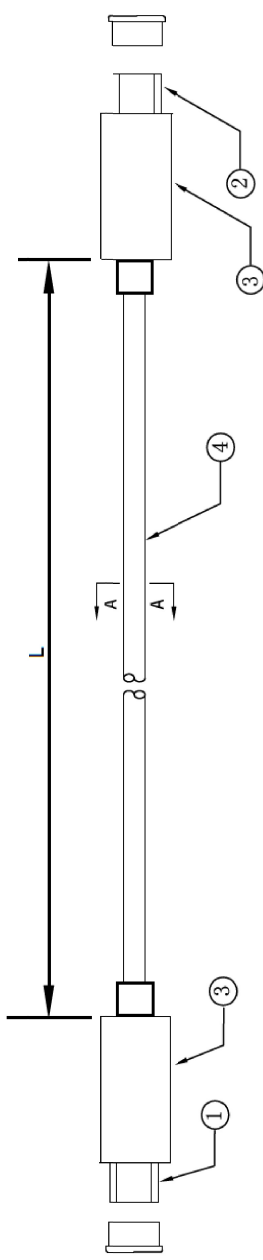
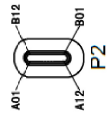
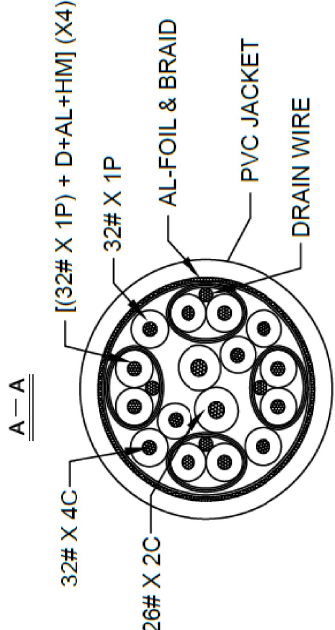
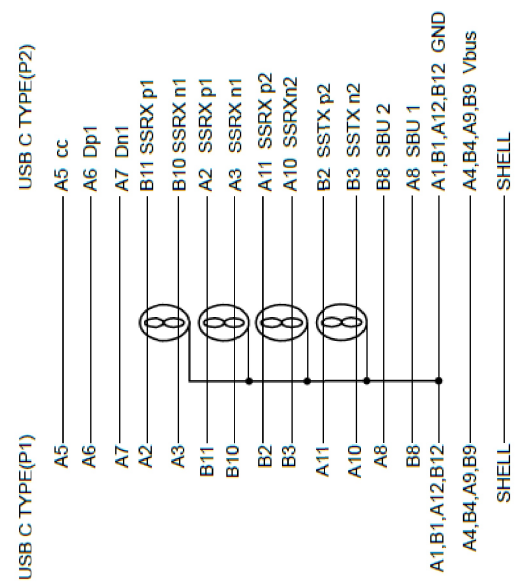


REVISED	DR	APP



PIN ASSIGNMENT:



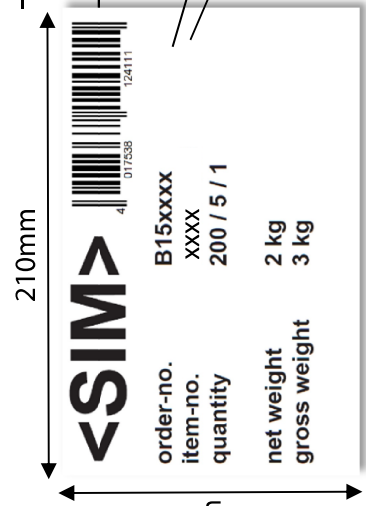
- Connections: USB 3.1 C plug to USB 3.1 C plug
- USB Standard: USB 3.1 (Gen.2)
- max. transmission rate: 10 Gbit/s
- Alternate Mode
- Cover: moulded
- Shielding: Braid and Foil
- Wire material: tinned copper
- Plug material: iron
- Contact surface: nickel-plated-plated
- Color plug/ cable: black/black
- USB Type C reversible plug



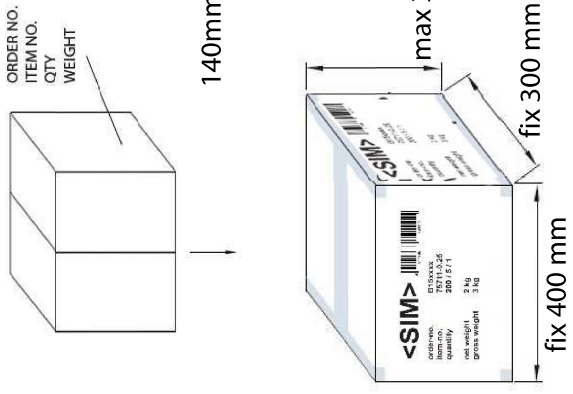
④	CABLE	(32AWG*1P+D+AL+HM)*4C+32AWG*1P+32AWG*4C+ 26AWG*2C+PVC OD:4.5±0.15mm BLACK PVC JACKET	L
③	MOLD HOOD	BLACK PVC	2
②	CONNECTOR	USB3.1 TYPE C MALE,NICKEL PLATED	1
①	CONNECTOR	USB3.1 TYPE C MALE,NICKEL PLATED	1
No.	PART NAME	DESCRIPTION	QTY

DESCRIPTION		USB 3.1 CABLE - TYPE 3.1 (C) - TYPE 3.1 (C)			
SIZE	A4	DATE	16.11.2018	CHECKED	TOL
UNIT	MM	DRAWN	SIM	APPROVED	77140
CUSTOM TARIFF NO.: 854442909000					

REVISED	DR	APP
---------	----	-----



Only use strong Cartons with printed letters
Handwritten not allowed !!!



ART.NO.	LENGTH	ROLLING SIZE	NET.WEIGHT (g)	PACKING	EAN CODE
77140-1.0	1.0m (sw)	130x130x10mm	41g	250 EXP / 125 INNER - 1 pcs in pb with st.	4017538064950
77140-1.5	1.5m (sw)	150x150x15mm	56g	250 EXP / 125 INNER - 1 pcs in pb with st.	4017538064967
77140-2.0	2.0m (sw)	150x150x15mm	73g	250 EXP / 125 INNER - 1 pcs in pb with st.	4017538064974
13-45026	1.0m (w)	130x130x10mm	41g	250 EXP / 125 INNER - 1 pcs in pb with st.	4017538105646
13-45156	1.5m (w)	150x150x15mm	56g	250 EXP / 125 INNER - 1 pcs in pb with st.	4017538105653

DESCRIPTION		USB 3.1 CABLE - TYPE 3.1 (C) - TYPE 3.1 (C)			
SIZE	A4	DATE	CHECKED	TOL	
UNIT	MM	DRAWN	SIM	APPROVED	77140
CUSTOM TARIF NO.: 854442909000					