



### Grundgestell, mit 22/32/42HE

- Grundausrüstung:** Grundgestell  
4x Lochrasterprofile 19" (Vorder-/Rückseite)  
40x KäfigmuttermitSchrauben  
4x Nivelier Füße  
4x Räder (2x mit / 2x ohne Feststeller)
- Farbe:** Lichtgrau ähnlich RAL7035
- Besonderheiten:** Grundgestell zerlegt (Aufbauzeit ca.20min)  
19" Lochrasterprofileverstellbar  
Es können entweder die Nivelier Füße montiert werden oder die Räder
- 19" Profilabstand:** veränderbar in 40mm Schritten
- Belastbar:** bis max.400Kg



Artikel	Außenmaße (B/T/H)	Nutzhöhe	Farbe	Herstellernr.	19" Profilabstand
156698	600/600/674	12HE	Lichtgrau	ALL-SRB6612Grau	245-405 mm
126001	600/600/1120	22HE	Lichtgrau	ALL-SRB6622Grau	245-405 mm
126000	600/600/1566	32HE	Lichtgrau	ALL-SRB6632Grau	245-405 mm
125999	600/600/2011	42HE	Lichtgrau	ALL-SRB6642Grau	245-405 mm
156699	600/1000/674	12HE	Lichtgrau	ALL-SRB6112Grau	405-805 mm
125998	600/1000/1120	22HE	Lichtgrau	ALL-SRB6122Grau	405-805 mm
125997	600/1000/1566	32HE	Lichtgrau	ALL-SRB6132Grau	405-805 mm
125996	600/1000/2011	42HE	Lichtgrau	ALL-SRB6142Grau	405-805 mm
139266	600/1200/1120	22HE	Lichtgrau	ALL-SRB61222Grau	405-1080 mm
139267	600/1200/1566	32HE	Lichtgrau	ALL-SRB61232Grau	405-1080 mm
139269	600/1200/2011	42HE	Lichtgrau	ALL-SRB61242Grau	405-1080 mm



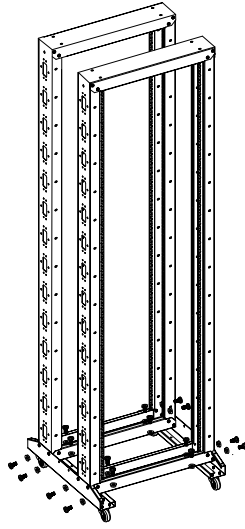
Seitenansicht



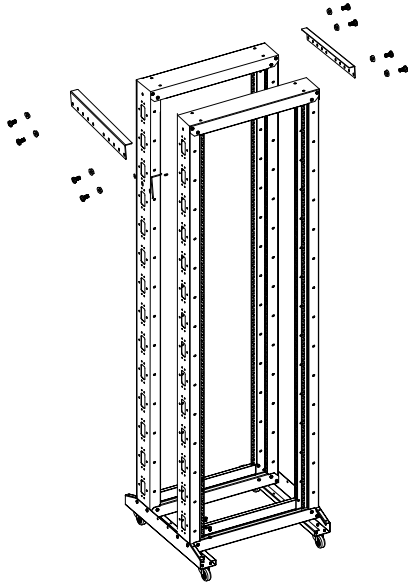
19" Profil detailansicht



Profilabstand veränderbar



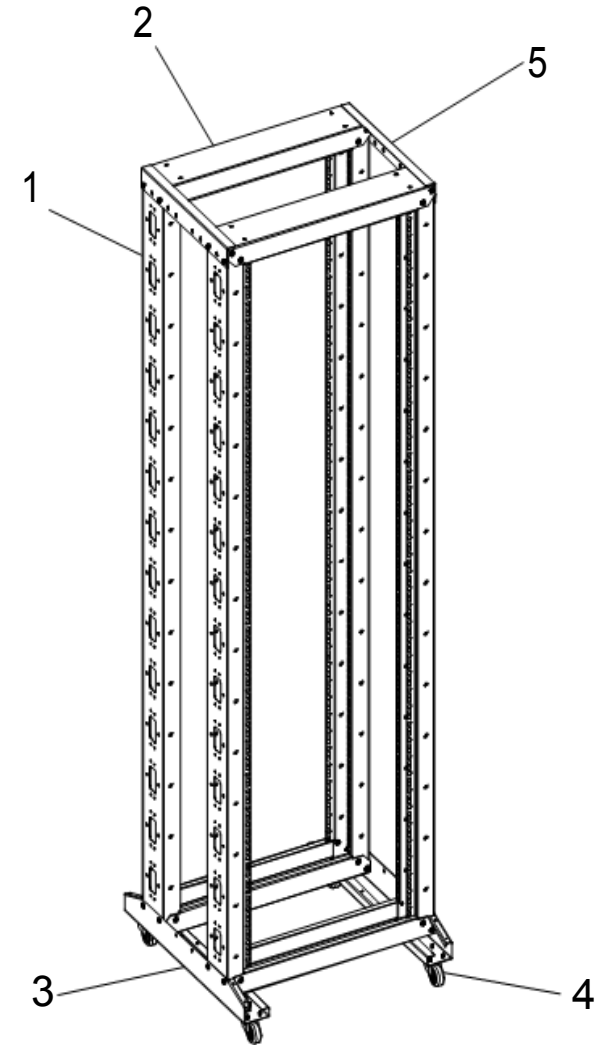
Step 3: Assembly the frame and plinth by 16 sets M6\*12 screws and M6 flange nuts.



Step 4: Assembly the top connection part on the frames by 8 sets M6\*12 screws and M6 flange nuts.

**Note:** After assembly, please adjust the diagonal size of the cabinet to ensure homogeneous space for all doors and all doors work well.

## 4-POST Open Frame Rack Assembly Instruction



### Packaging List

1. Vertical rail - 4pcs
2. Horizontal beam - 4pcs
3. Plinth - 2pcs
4. 2" heavy-duty castor (2 pcs with brake) - 4pcs
5. Top connection part - 2pcs
6. Levelling feet - 4pcs

## Item List of Accessories Packaging

### Assembly Hardwares Kits:








- M6\*12 screw - 72pcs
- M6 Flange nut - 72pcs
- 2" heavy-duty castor -2pcs
- 2" heavy-duty castor with brake -2pcs
- Levelling feet - 4pcs
- M12 flange nut - 4pcs

### End User Hardwares Kits:

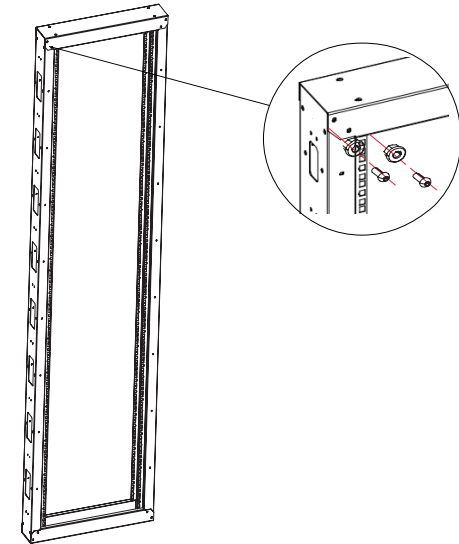
U Capacity  $\leq 27U$ , 20 sets cagenuts ;  $27U < U$  Capacity  $\leq 37U$ , 30sets cagenuts ; U Capacity  $> 37U$ , 40 sets cagenuts.  
(cagenut : M6\*12 screw & M6 cage nut)

**Tips: Check the quantities of the items before assembly**

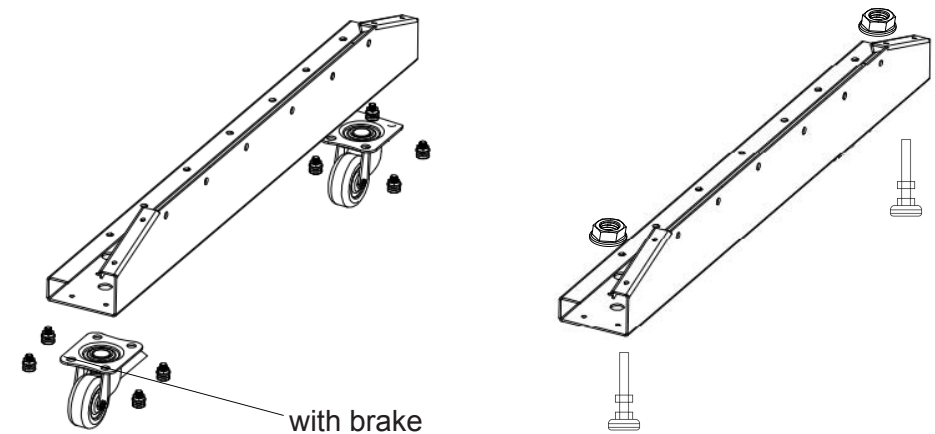
## Diagram of accessories

NO.	FIGURE	DESCRIPTION
1		M6 flange nut
2		M6*12 Screw
3		2" heavy-duty castor
4		2" heavy-duty castor with brake
5		Levelling feet
6		M6 cage nut
7		M12 flange nut

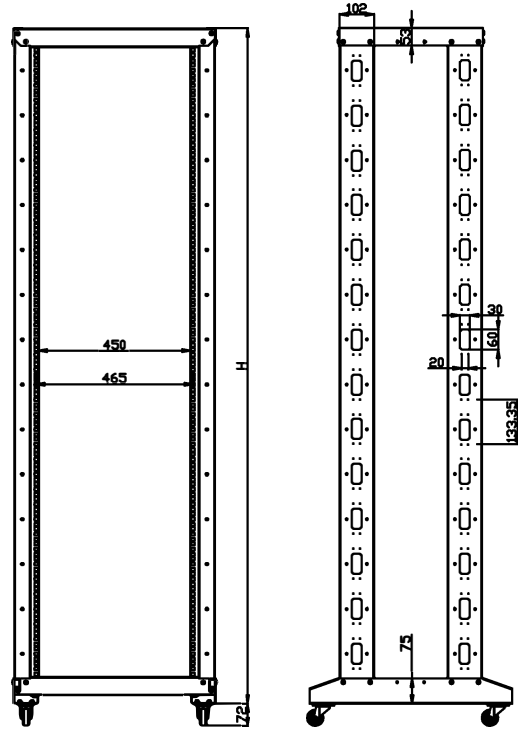
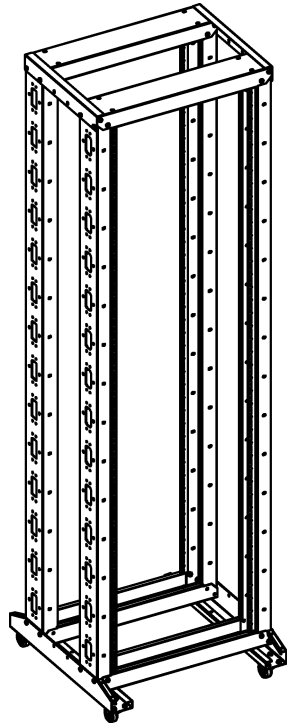
## Installation



Step 1: Assembly vertical rails and horizontal beams to form the frame with 32 sets M6\*12 screws and M6 flange nuts.



Step 2: Assembly the castors on the Plinths by 16 sets M6\*12 screws and M6 flange nuts, or assembly the levelling feet, with M12 flange nuts.



Model number	Dimensions		
	Width (W)	Depth (D)	Height (H)
<b>ALL-SRB6642GRAU</b>	600	600	2007.5
<b>ALL-SRB6632GRAU</b>	600	600	1563.0
<b>ALL-SRB6622GRAU</b>	600	600	1118.5
<b>ALL-SRB6612GRAU</b>	600	600	674.0
<b>ALL-SRB6142GRAU</b>	600	1000	2007.5
<b>ALL-SRB6132GRAU</b>	600	1000	1563.0
<b>ALL-SRB6122GRAU</b>	600	1000	1118.5
<b>ALL-SRB6112GRAU</b>	600	1000	674.0
<b>ALL-SRB61242GRAU</b>	600	1200	2007.5
<b>ALL-SRB61232GRAU</b>	600	1200	1563.0
<b>ALL-SRB61222GRAU</b>	600	1200	1118.5