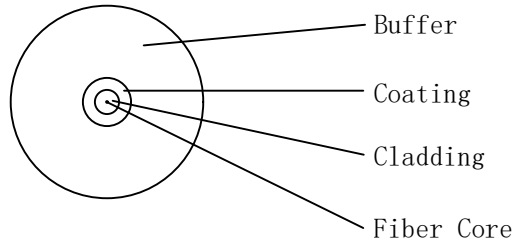


1. Structure Diagram

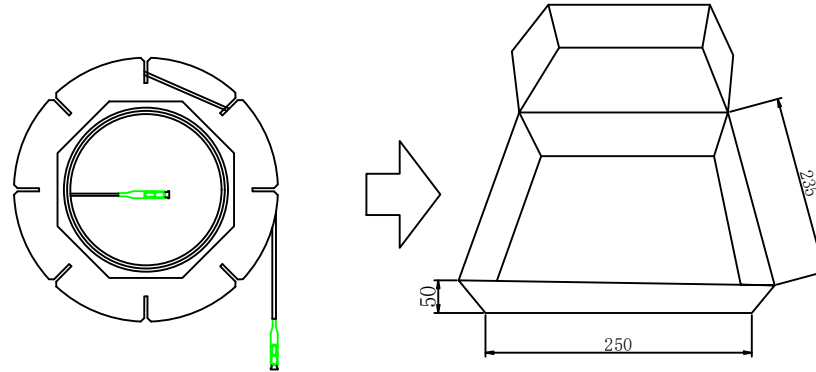


Note:

1. ROHS 3.0 and REACH Compliant
2. Max load in short-term: 6N;
3. Max load in long-term: 3N
4. Operating Temperature: -20 ~+60° C
5. Storage Temperature: -20 ~+60° C
6. RoHS 2.0 and REACH Compliant
7. Packing:250m/Paper drum+box+label+test report

2. Technology Specification

Items	Technology parameter
Cable type	0.9mm Tight Buffered fiber
Fiber type	9/125 (G657. A2)
Tight Buffer color	Transparent
Tight Buffer material	PVC
Tight Buffer diameter (mm)	0.9±0.05mm
Cable weight (kg/km)	Approx. 0.9
Min. bending radius (mm)	10(Static) 25(Dynamic)
Attenuation (dB/km)	≤ 0.4 at 1310nm, ≤ 0.3 at 1550
Attenuation (dB/km)	≤ 0.4 at 1310nm, ≤ 0.3 at 1550



SYNERGY 21

					CUSTOMER		ITEM NO.	S215666	
					PRODUCT NAME	Invisible and transparent optical cable OS2(G657. A2) PVC 0.9mm Tight Buffer Transparent	Manufacture country	CHINA	UNIT mm
		NEW	2024-04-28	A	DRAWNBY	CHECKBY	APPOBY	DATE	
BY	CHK	REVISION RECORD MODIFICATIONS	DATE	REV.	SYNERGY 21	SYNERGY 21		2024-04-28	