




Installation Guide

Yeastar TA410/810 FXO VoIP Gateway

Version: 1.0

Updated: December 10, 2019

-  Support: +86-592-5503301
-  Support: support@yeastar.com
-  <https://www.yeastar.com>

Contents

- Safety Disclaimers and Installation Warnings..... 3**
- Packing List..... 4**
- Hardware Overview..... 5**
 - TA410 Hardware Overview..... 5
 - TA810 Hardware Overview..... 6
- Connect Yeastar TA Gateway..... 8**
- Install Yeastar TA Gateway (Wall Mount)..... 9**

Safety Disclaimers and Installation Warnings

To avoid unexpected accident, personal injury or device damage, read the safety disclaimers and installation warnings.

Power

- Use only the power adapter provided with the Yeastar TA device.
- Keep the power off during the installation.
- Make sure that the supply voltage matches the specifications indicated on the back panel of the device.
- To avoid the electric accident, do not open or remove the cover of device when it is working as well as off the power.
- Before cleaning the device, cut off the power supply.

Environment

Install the Yeastar TA device in a location that is clean, free from vibration, electric shock, and temperature/humidity extremes.

Table 1:

Environment	Requirement
Storage Temperature	-20 to 65°C, 4 to 149°F
Humidity	10% to 90% (non-condensing)
Operation Temperature	0 to 40°C, 32 to 104°F

Packing List

Upon receiving Yeastar TA 410/810 gateway, you can open the package and check if all the items are supplied as per packing list.



Note: If there are any problems, contact your provider.

Table 2: TA410/810 packing list

Item	Unit	QTY	Description
TA410/TA810	PC	1	Device unit.
RJ45 Ethernet cable	PC	1	-
Warranty card	PC	1	With serial number printed for repair & return.
Stand	PC	1	-
Power adapter	PC	1	For the input of power.
Quick installation guide	PC	1	-

Hardware Overview

TA410 Hardware Overview

TA410 front panel

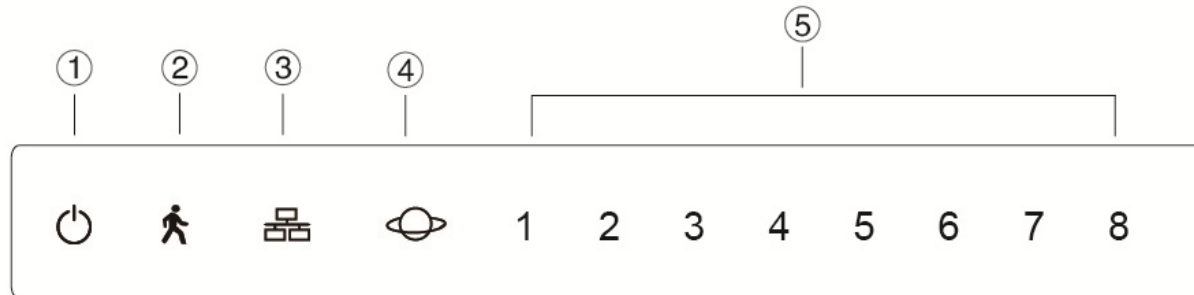




Table 3:

No.	Feature	Description
①	Power Indicator	Indicates the power status.
②	Run Indicator	Indicates the system status. <ul style="list-style-type: none">• Blinking: The system is working properly.• Not Blinking/Off: The system goes wrong.
③	LAN Status Indicator	Indicates the LAN status.
④	WAN Status Indicator	Reserved.
⑤	FXO Ports Status Indicator	Indicates the FXO ports status. <ul style="list-style-type: none">• Solid red: Public Telephone Network (PSTN) is connected to the port.• Red light blinking: No Public Telephone Network (PSTN) is connected to the port. <p> Note: The FXO indicators 5-8 are invalid.</p>

TA410 back panel



Table 4:

No.	Feature	Description
⑥	Power inlet	For connection to power supply.
⑦	Reset button	Press and hold for 7 seconds to reset to factory defaults.  Note: Do NOT press this button for a long time, or the system would break down.
⑧	LAN port	For connection to Local Area Network (LAN).
⑨	WAN port	Reserved.
⑩	RJ11 FXO Ports	For connection to Public Telephone Network (PSTN).


TA810 Hardware Overview

TA810 front panel



Table 5:


No.	Feature	Description
①	Power Indicator	Indicates the power status.

No.	Feature	Description
②	Run Indicator	Indicates the system status. <ul style="list-style-type: none"> • Blinking: The system is working properly. • Not Blinking/Off: The system goes wrong.
③	LAN Status Indicator	Indicates the LAN status.
④	WAN Status Indicator	Reserved.
⑤	FXO Ports Status Indicator	Indicates the FXO ports status. <ul style="list-style-type: none"> • Solid red: Public Telephone Network (PSTN) is connected to the port. • Red light blinking: No Public Telephone Network (PSTN) is connected to the port. <p> Note: The FXO indicators 5-8 are invalid.</p>

TA810 back panel

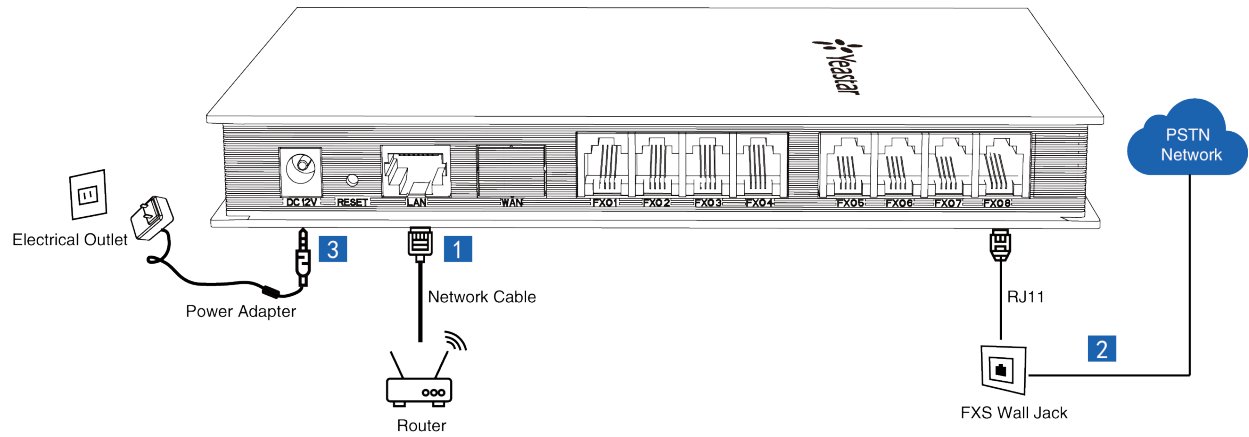


Table 6:

No.	Feature	Description
⑥	Power inlet	For connection to power supply.
⑦	Reset button	Press and hold for 7 seconds to reset to factory defaults. <p> Note: Do NOT press this button for a long time, or the system would break down.</p>
⑧	LAN port	For connection to Local Area Network (LAN).
⑨	WAN port	Reserved.
⑩	RJ11 FXO Ports	For connection to Public Telephone Network (PSTN).

Connect Yeastar TA Gateway

Follow the steps to connect Yeastar TA410/810 FXO VoIP gateway.



1. Connect TA gateway to the Internet

LAN port can be connected to router or PBX.

2. Connect TA gateway to PSTN

FXO ports can be connected to PSTN.

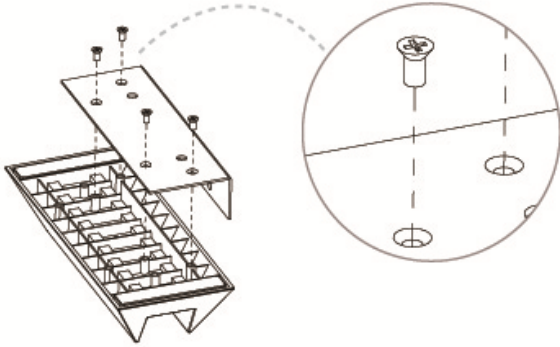
3. Power on TA gateway

Connect one end of the power adapter to the gateway's power port; plug the other end into an electrical outlet. There's no power switch on TA410/810 gateway.

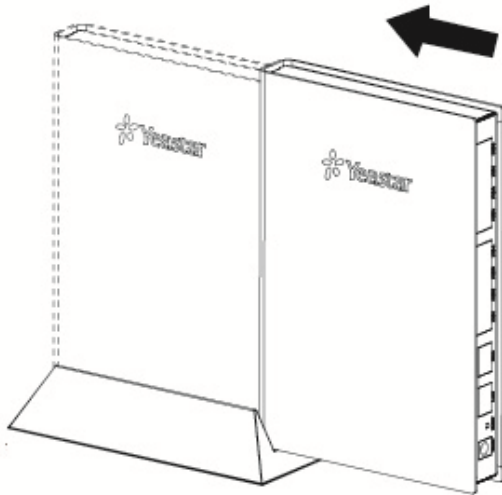
Install Yeastar TA Gateway (Wall Mount)

Yeastar TA 410/810 gateway can not only be placed on a desk, but also be mounted to the wall, which saves space on your desk and presents an organized look. Follow the instructions to mount Yeastar TA410/810 gateway to the wall by stand.

1. Remove the screws on the stand. Screw the clamp weight to the stand again as the picture shows.



2. Push the Yeastar TA device into the stand.



3. Fix two screws on the wall, and then you could mount the stand to the wall.

