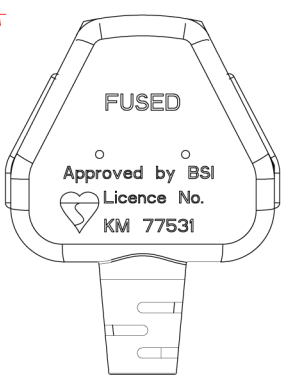


P1: M-015  
P2: M-028

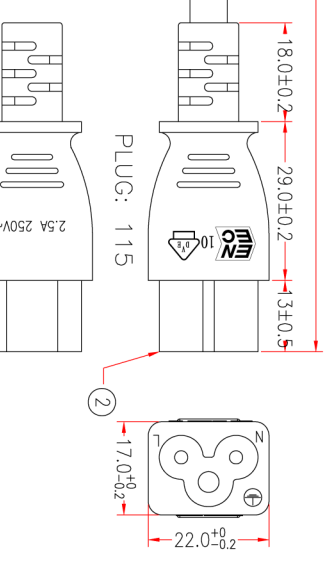
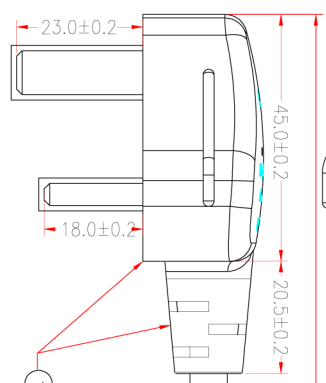
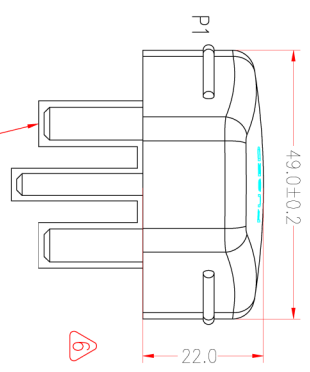
Customer No.: No.6

LOGO	FUSE
	3A

FUSE:

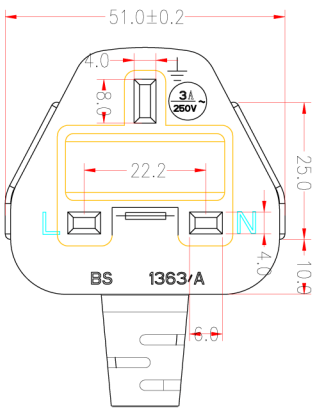
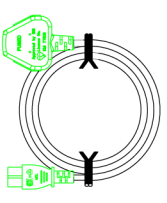


P2:

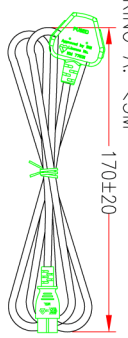


ITEM NO.	LENGTH(L)
EK499.1,8	1800mm
EK499.3	3000mm
EK499.5	5000mm

PACKING B: >3M



PACKING A: <3M



CONCAVE LETTERING WORD CABLE:

H05W-F 3G 0.75mm<sup>2</sup> KEMA-KEUR IEMMEQU VDE

N20050 G1SA-3 3G 0.75mm<sup>2</sup> MSL

P1	P2
BROWN	L
BLUE	N
GREEN/YELLOW	E

page: 1 of 2

REV.6 2017.11.22	MODIFY P1 PLUG		
REV.5 2017.08.09	MODIFY CABLE DRAWING NO.EPH5V0107503C-102 FROM EPH5V0107503C-027		
REV.4 2017.07.25	MODIFY CONCAVE LETTERING MARKING CABLE		
REV.2 2013.06.25	MODIFY LABEL CONTENT	REV.3 2017.01.04	MODIFY CABLE LETTERING CONTENT
REV.1 2013.03.11	MODIFY CABLE MARKING CONTENT		CHECKED

NOTE: All relevant materials are complied with RoHS directive .

3	H05 W-F 3G 0.75mm <sup>2</sup> , G1SA-3, 0068mm, JACKET BLACK, DRAWING No. EPH5V0107503C-102	H51H21-0304K09	L-30mm	M304
2	MOLDED PVC 45P, COLOR BLACK BRACKET: YS-008 TERMINAL: 98732PPS-0	H1B101-0304K09 A10C17-0767 A10B29-0257	1 1	M304 M767 M257
1	TERMINAL: 98714PS-0 MOLDED PVC 45P, COLOR BLACK FUSE LATCH: MSL-403 FUSE: 3A PRESSURE CAP, MSL-403	A10B05-0257 H1B101-0304K09 A10A40-0767 A10A03-0455 A10A41-0402	2 1 1 1	M257 M304 M767 M455 M402
No.	DESCRIPTION		Q'ty	Supplier
	PART NO.115402E3FS2D(FP150-03)	Revision:		

APPROVED			
CHECKED	HU		
DRAWING	JIANGJU		
DATE	22/NOV/17	ITEM NO.	EK499.1,8&EK499.3&EK499.5
		UNIT:mm	

Cable Length  
Unless Other Spec.  
Tolerances:  
0 ~200mm ±10mm  
201~1000mm ±20mm  
1001 ~1500mm ±25mm  
1501~2100mm ±30mm  
2100mm ±40mm