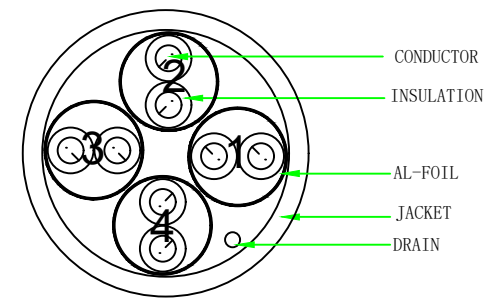
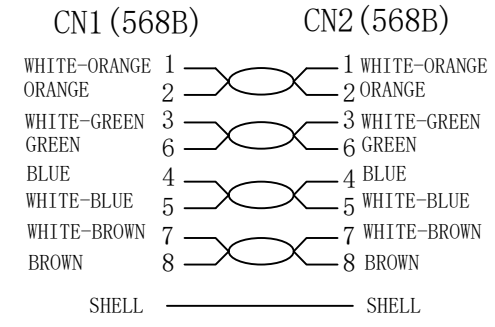


PIN OUT



NOTE:

1. Fluke Channel Test ISO 11801 channel Class Ea
2. RoHS 3.0 AND REACH compliant
3. Electrical test: 100% open short & miss wire test;
4. OPERATING TEMPERATURE: -20°C ~ 75°C  
STORAGE TEMPERATURE: -10°C ~ 60°C
5. Print word: CAT6A U/FTP Patch cord with CAT7 RAW Cable 4x2x32AWG/7  
TPE-LSZH ISO11801 & EN50173 & ANSI/TIA568C.2 www.synergy21.de **CE**
6. Raw cable is Cat7 up to 600Mhz
7. Packing: 1pc/synergy 21 bag+label

MATERIAL LIST

③	CABLE	CAT. 7 U/FTP (32AWG BC*1P+AL-FOIL)*4+DRAIN+ JACKET: TPE-LSZH, OD: 3.8 ± 0.2mm	1	
②	Over mold	48P PVC	2	
①	Plug	RJ45 8P8C Shielded Plug, PIN GOLD PLATED 3u", TRANSPARENT YELLOW	2	

NO.	PARTS NAME	SPECIFICATION STANDARD	QT' Y	REMARK
	Hasia	Add the meter scale	2022-12-26	A1
		NEW	2022-05-13	A0
BY	CHK	REVISION RECORD MODIFICATIONS	DATE	REV.

SYNERGY21

CUSTOMER		ITEM NO.	
PRODUCT NAME	Super slim CAT6A U/FTP Patch cord With CAT7 RAW Cable	manufacture country:	CHINA
DRAWNBY	CHECKBY	APPOBY	UNIT
SYNERGY21	SYNERGY21	SYNERGY21	MM
		DATE	2022-05-13

