

NOTE:  
 1. Electronic test  
 1.1. Open/short 100% test  
 2. Tested by TOATLPHASE Advanced Cable Tester 2 for HDMI2.1 48G Support 7680\*4320@30Hz 4:4:4, 7680\*4320@60Hz DSC  
 3. TESTED BY PC:3840\*2160@120Hz, 3840\*2160@60Hz, 1920\*1080@60Hz

RoHS2.0[2011/65/EU]

ITEM NO.	LENGTH
03-05025	1000±20
03-05155	1500±20
03-05035	2000±20
03-05045	3000±30

- Connections: HDMI-A plug to HDMI-A plug
- Resolution up to: 8K (60Hz), 4K2K (120Hz), 1080p (3D)
- Supports color sampling in 4:4:4, 4:2:2 and 4:2:0 format
- Supports: Dynamic HDR, HDR10, HLG, HDCP 2.2, HDCP 2.3, HDCP 1.4, 4K3D (120Hz), Display Stream Compression 1.2, HEC,
- 21: 9 Cinema Picture Format, 1080p High Frame Rate (HFR) 3D, Game Mode VRR, eARC, CEC 2.0, HDMI 2.1 Multichannel Sound Systems
- max. Bandwidth: 48 Gbps
- HDMI standard: Ultra High Speed with Ethernet
- Backwards compatible: to all HDMI standards

- Number of shieldings: 3
- Wire material: copper
- Plug: moulded
- Plug material: CuZnNi, gold plated
- Contact surface: gold-plated pins
- Plug cover: metal, ALU
- Cable type: round cable
- Material cable sheath: "Highflex" PVC
- Cable sheath diameter (ca.): 6.0mm

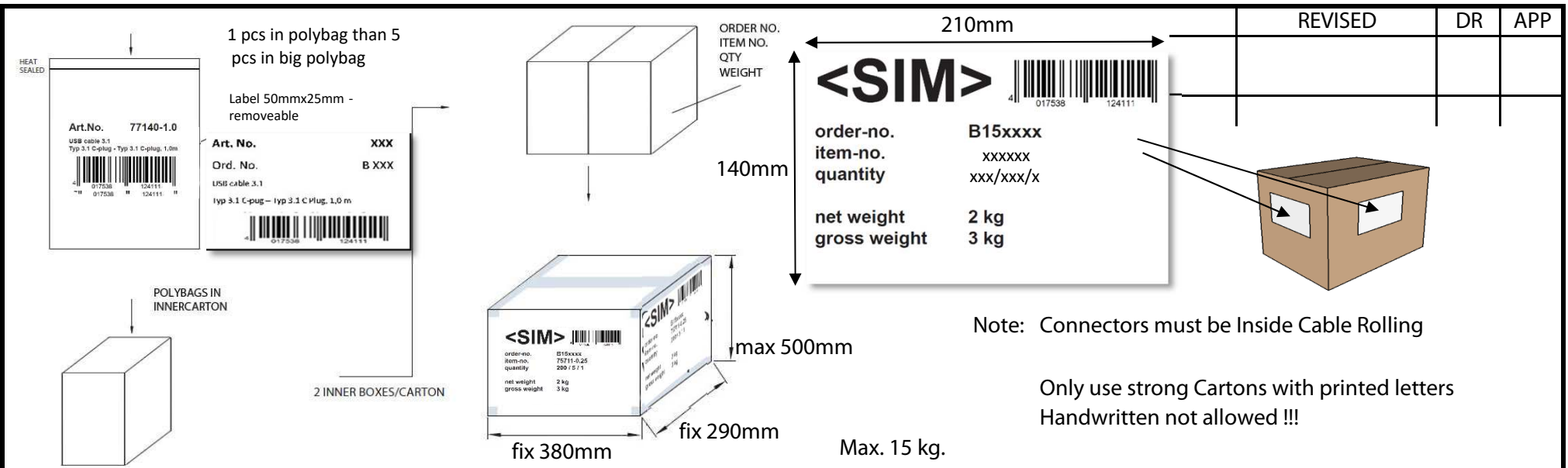


	REVISED	DR	APP

⑤	DUST COVR	TRANSPARENT PE
④	OUTER MOLD	ALUMINIUM/SILVER
③	BOOT	PVC/DARK BLUE
②	HDMI AM	HDMI 19PIN, A MALE, RED INSULATION, GOLD PLATED PIN, GOLD PLATED SHELL
①	CABLE	(30AWG/1COPPER+*1P+E+AM)*5+30AWG/1 COPPER+*4+AL-FOIL+E+AL-MG BRAID, JACKET :PVC/DARK BLUE, OD: 6.0±0.2mm
NO.	PART NAME	DESCRIPTION
NO	PART NAME	PICTURES AND COLORS CAN DIFFER FROM THE PRODUCT!



DESCRIPTION		HOME CINEMA DP ADAPTER CABLE, HDMI-A					
SIZE	A4	DATE	17.08.2021	CHECKED		TOL	03-05025
UNIT	MM	DRAWN	R.Hueller	APPROVED			
CUSTOM TARIF NO.: 854442909000							



ART.NO.	LENGTH	ROLLING SIZE	NET.WEIGHT (g)	PACKING	EAN CODE
03-05025	1.0m	155x140x20mm	60g	100 EXP / 50 INNER - 5/1 in pb with sticker	4017538134998
03-05155	1.5m	160x140x20mm	80g	80 EXP / 40 INNER - 5/1 in pb with sticker	4017538135001
03-05035	2.0m	145x145x30mm	100g	60 EXP / 30 INNER - 5/1 in pb with sticker	4017538135018
03-05045	3.0m	160x140x30mm	150g	50 EXP / 25 INNER - 5/1 in pb with sticker	4017538135025

DESCRIPTION		HOME CINEMA DP ADAPTER CABLE, HDMI-A				
SIZE	A4	DATE	17.08.2021	CHECKED		03-05025
UNIT	MM	DRAWN	R.Hueller	APPROVED		
CUSTOM TARIF NO.: 854442909000						