

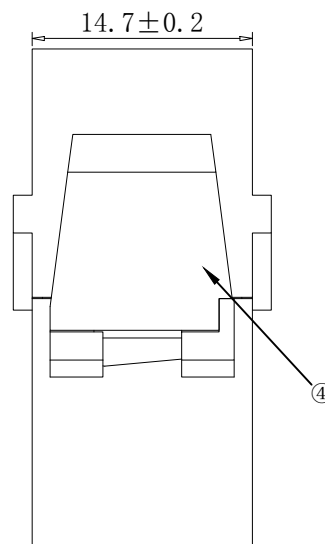
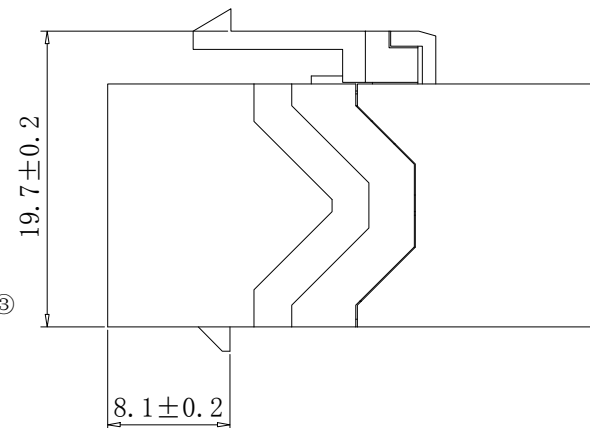
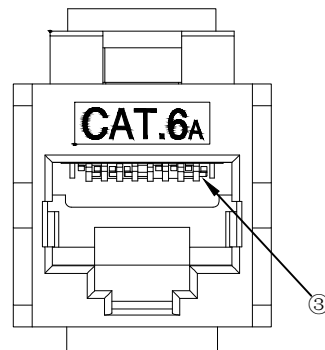
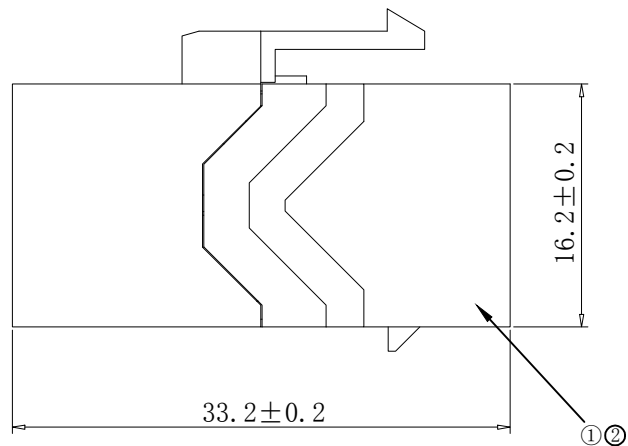
SYNERGY 2 pantone black C

pantone blue 298C

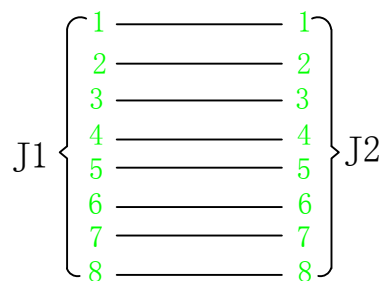
NOTE:

1. PANEL FRAME:PC plastic surface treatment with Transparent window
2. Mounting plate Nickel Plating T=1.5MM
3. PANEL BRACKET SPCC T=1.5MM with plastic powder cladding Frosting surface treatment
4. Accessory:
  1. Screw and Nut M6\*18mm × 4set
5. RoHS 3.0 and REACH Compliant
6. Packing: 1pcs/PE bag+Inner box 10pcs/outcarton

|                               |  |  |   |  |                               |                      |      |            |           |    |
|-------------------------------|--|--|---|--|-------------------------------|----------------------|------|------------|-----------|----|
| SYNERGY 21                    |  |  |   |  |                               |                      |      |            |           |    |
| CUSTOMER                      |  |  | ITEM NO.  |  |                               | S216336V4            |      |            |           |    |
| PRODUCT NAME                  |  |  | 19" 1U 24 ports blank Patch panel Three-piece type shielded with intelligence cable tie |  |                               | MANUFACTURE COUNTRY: |      | CHINA      | UNIT      | MM |
| NEW                           |  |  | 2023-1-04   |  | A                             | DRAWNBY              |      | CHECKBY    |           |    |
| REVISION RECORD MODIFICATIONS |  |  | DATE  |  | REV.                          | SYNERGY 21           |      | SYNERGY 21 |           |    |
| BY                            |  |  | CHK   |  | REVISION RECORD MODIFICATIONS |                      | DATE |            | 2023-1-04 |    |



## Connection Method



## NOTES:

## ELECTRICAL:

1. Contact Resistance : 20MΩ MAX
2. Insulation Resistance : 500MΩ MIN @ 500V DC
3. Withstand Voltage : DC 1000V AC 700V RMS 60Hz, 1MIN
4. Component testing for Cat.6A to ISO/IEC 11801 Ed. 2.2:2011-06  
DIN EN 50173-1:2011-09  
TIA/EIA-568-C.2 (2009-08)

## ENVIRONMENTAL:

1. Storage : -40° TO+70°
2. Operation : -10° to+60°

## MECHANICAL

1. RJ45 Contact Life: 750 Times Min
2. Plug inforce: <30N

RoHS 2.0 and REACH Compliant

PACKING: 1PCS/PE bag+Label 1, 10PCS/PE Bag+Label 2, 50PCS/small box, xxPCS/CTN+LABEL 3

## MATERIAL LIST:

|    |           |                  |       |        |
|----|-----------|------------------|-------|--------|
| ④  | Shrapnel  | PC White         | 1     |        |
| ③  | Contact   | 8P8C Gold Plated | 16    |        |
| ②  | Housing   | Zinc Alloy       | 1     |        |
| ①  | PCB       | FR-4, t=0.8      | 1     |        |
| NO | MAT. NAME | DESCRIPTION      | QT' Y | REMARK |

## SYNERGY 21

|    |     |                               |  |  |      |                      |            |            |            |         |        |      |
|----|-----|-------------------------------|--|--|------|----------------------|------------|------------|------------|---------|--------|------|
|    |     | CUSTOMER                      |  | AN   |      | ITEM NO.             |            | S216317V3  |            |         |        |      |
|    |     | PRODUCT NAME                  |  | CAT. 6A STP RJ45 F/F Coupler Keystone jack Type Zinc Alloy Housing |      | manufacture country: |            | CHINA      | UNIT       | MM      |        |      |
|    |     | NEW                           |  | 2019/09/03   |      | A0                   |            | DRAWNBY    |            | CHECKBY | APPOBY | DATE |
| BY | CHK | REVISION RECORD MODIFICATIONS |  | DATE   | REV. | SYNERGY 21           | SYNERGY 21 | SYNERGY 21 | 2019/09/03 |         |        |      |