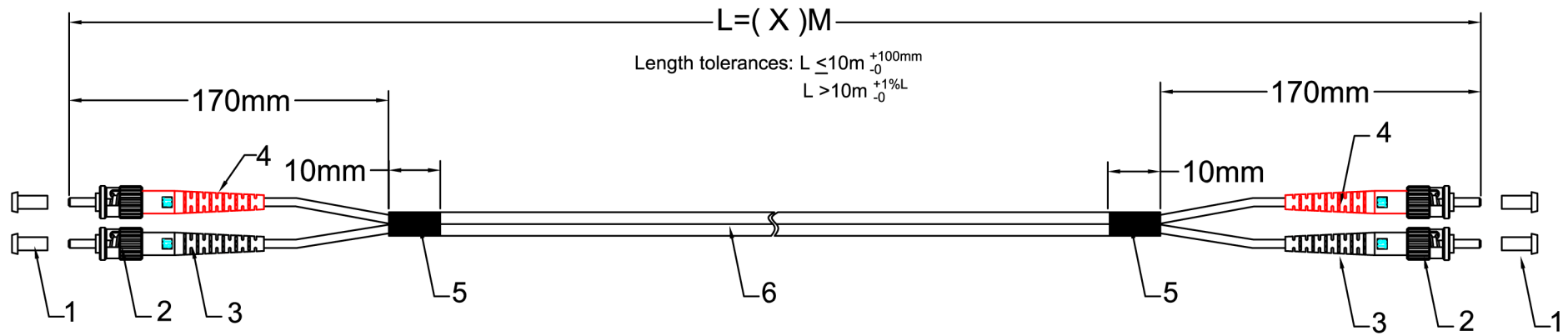


ST - ST Duplex Jumper, I-V(ZN)H 02G 50/125 μ OM3, LSZH Aqua Jacket, x meter



Specifications:

1. Insertion Loss: < 0.3dB @850nm
2. End surface test is according to OP-03-05001
3. Test standard: GR-326-CORE
4. Test report has to match the serial No.
5. RoHS compliant
6. Fiber cable according to IEC 60793-2
7. ST connector according to IEC 60874-10

**RoHS
compliant**

6	Ø3.0mm MM duplex OM3 50/125 μ LSZH Aqua cable	
5	Heat shrink tube, black	2
4	ST 3.0 boot, red	2
3	ST 3.0 boot, black	2
2	ST MM 3.0 connector	4
1	Dust cover	4
Item	Description	Qty

ST - ST Duplex Jumper, I-V(ZN)H 02G 50/125 OM3, LSZH Aqua Jacket, x meter	
Part No: O7013.X	
Drawing No:	Page :1 of 3