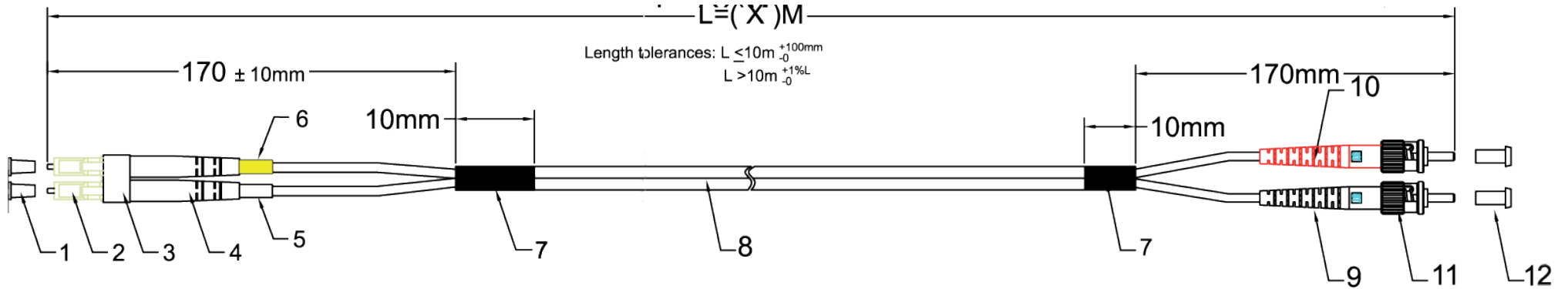


Duplex Jumper LC/ST 50/125 μ , OM4, LSZH Jacket Violet



Notes:

1. Insertion Loss: $\leq 0.3dB @850nm$
2. End surface test acc. to OP-03-05001
3. Test standard: GR-326-CORE
4. Test report has to match the serial No.
5. RoHS compliant
6. Fiber cable according to IEC 60793-2
7. LC connector acc. to IEC 61754-20
8. ST connector acc. to IEC 61754-2

12	ST dust cover	2 pcs
11	ST 2.0 mm connector	2 pcs
10	ST 2.0 mm boot, red	1 pc
9	ST 2.0 mm boot, black	1 pc
8	\varnothing 2.0 mm duplex OM4 50/125 μ LSZH cable, violet	
7	Heat shrink tube, black	2 pcs
6	LC shrink tube, yellow	2 pcs
5	LC shrink tube, white	1 pc
4	LC 3.0 mm boot, white	1 pc
3	LC duplex clip, transparent	1 pc
2	LC 2.0 mm connector, beige	2 pcs
1	LC dust cover	2 pcs
Item	Description	Qty

RoHS
compliant

Created MN	Date 07.10.10	Duplex Jumper LC/ST 50/125 μ OM4, LSZH, violet 00326.X	File: 00326.X_ENG
Last rev. MN	Date 20.06.12		

Indoor Cable Series (duplex)

1. Characteristics

- Aramid yarn strength member ensures tension-resistance and long term stability in transmission
- Figure 8 structure jacket
- Small outer diameter, lightweight
- Flame-retardant, halogenfree
- Low attenuation

2. Applications

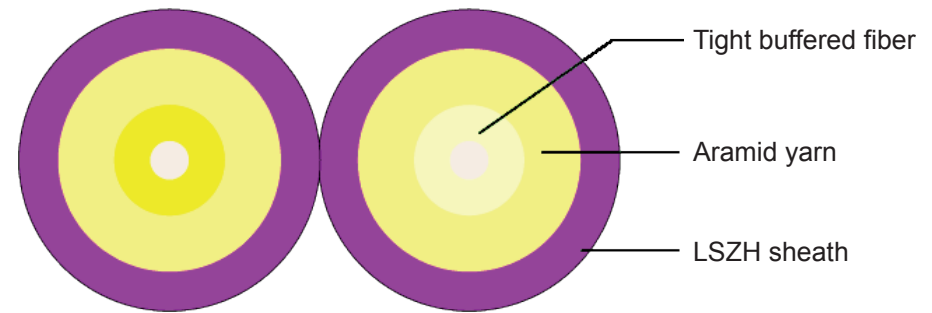
- Patching, crossing
- Indoor cabling

3. Temperature Range

- -20°C up to +70°C

4. Fiber Optic Cable Performance

- Number of fibers: 2
- Outer diameter: 2.0 x 4.1 mm
- Nominal weight: 8.2 kg/km
- Min. bending radius: 20H (installation)
10H (static)
- Max. tension: 200 N (short-term)
100 N (long-term)
- Max. crush resistance (N/100mm): 1000
- Complies with TIA/EIA-568 B.3 & Bellcore GR-409-CORE & OFNR-UL/CSA FT-4
- Max. Attenuation (typ.): ≤ 2.3 dB@850nm
 ≤ 0.6 dB@1300nm
- OFL Bandwidth: ≥ 3500 MHz x km @850nm
 ≥ 500 MHz x km @1300nm
- High performance EMB: 4700 MHz x km
- Link distance for 10 Gbit Ethernet: 550 m



RoHS
compliant

Created MN	Date 07.10.10	Duplex Jumper LC/ST 50/125μ OM4, LSZH, violet 00326.X	File: 00326.X_ENG
Last rev. MN	Date 20.06.12		

