

NOTE 1:

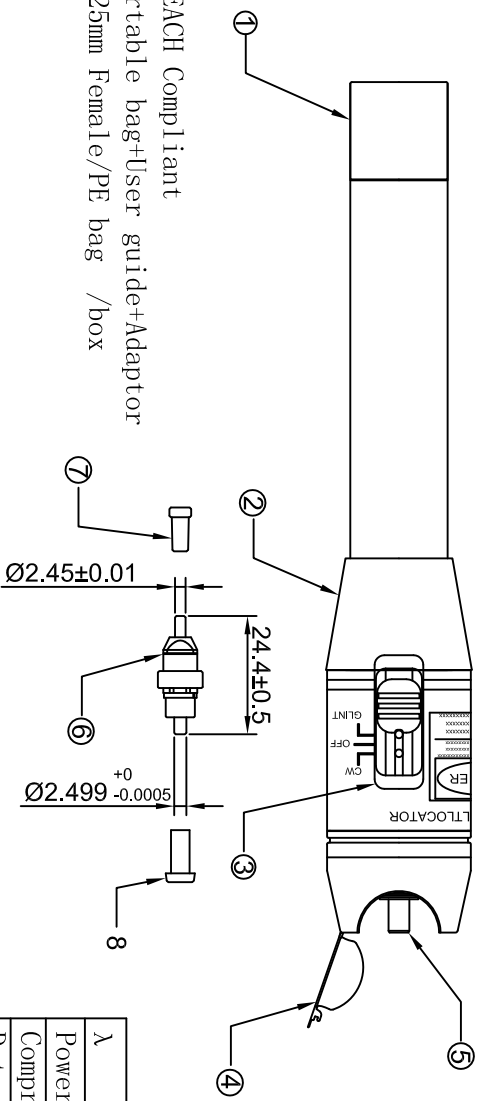


Chart:

PARTS	ITEM NO.
Visual Fault Locator	S215491
Adaptor 2.5mm Male to 1.25mm Female	S215492

- NOTE:
1. ROHS 2.0 and REACH Compliant
 2. 1pcs/PE bag+Portable bag+User guide+Adaptor
 - 2.5mm Male to 1.25mm Female/PE bag /box

MATERIAL LIST:

NO.	PARTS NAME	SPECIFICATION DESCRIPTION	QT'Y	REMARK
⑧	Dust Cap	2.5mm PE Transparent	1	
⑦	Dust Cap	1.25mm PE Transparent	1	
⑥	Adaptor	2.5mm Male to 1.25mm Female for LC/MU	1	
⑤	Adaptor	stainless steel for 2.5mm SC/ST/FC	1	
④	Cap	rubber, blue	1	
③	Switch	plastic, blue	1	
②	Housing	metal aluminum, black	1	
①	Battery cover	metal aluminum, black	1	

λ	650nm ±20nm
Power	1mW
Comprehensive Adaptor	2.5mm、1.25mm
Detectable range	0~5km
Operator scheme	pulse 2Hz, CW
Power Supply	2 PCS battery #5
Operation Temperature	-10°C~+50°C, <90%RH
Storage Temperature	-20°C~+60°C, <90%RH

see the chart

SYNERGY 21

CUSTOMER	PRODUCT NAME	MANUFACTURE COUNTRY	ITEM NO.	UNIT	MM
ALLNET Computersysteme GmbH	1mW Red Light Visual Fault Locator for 2.5 and 1.25	manufacture country	CHINA	UNIT	MM

BY	CHK	REVISION RECORD MODIFICATIONS	DATE	REV.	DRAWNBY	CHECKBY	APPOBY	DATE
		NEW	2017-3-30	A	SYNERGY 21	SYNERGY 21	SYNERGY 21	2017-3-30