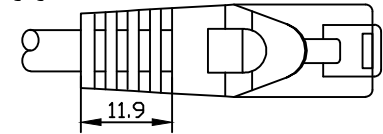
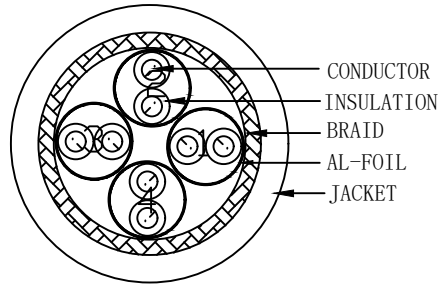
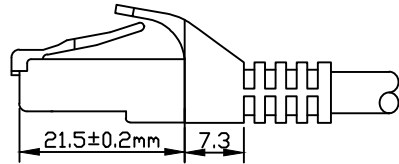


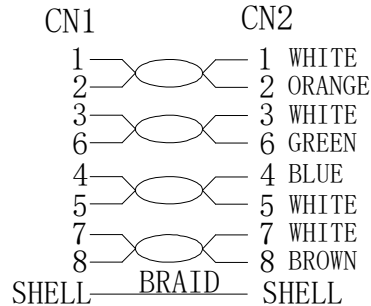
CAT6A/Class Ea S/FTP with cat.7 raw cable 600MHz 4x2x26AWG/7 TPE-LSZH ISO/IEC11801 & EN50173 & ANSI/TIA568.2-D www.Synergy21.de



The following are examples of situations where this cable is not suitable :

- Do not use it when immersed in water for a long time.
- Do not use it underground or in pipes.
- Do not use it at temperatures above 75°C or below -40°C.
- Do not use it in situations where frequent bending and movement are required.
- Do not use it be hung horizontally.

WIRING DIAGRAM



NOTE:

- ELECTRICAL TEST:100% OPEN SHORT, MISS WIRE TEST
- FLUKE Channel LINK TEST:TEST LIMIT:ISO11801 Channel Class EA
- Operating Temperature:-40 ~+75° C
- Storage temperature:-40 ~+75° C
- RoHS3.0 AND REACH compliant
- Low Smoke (IEC 61034)
- Flame retardant (IEC60332-1)
- Halogen free (IEC 60754-1/2)
- Oil resistant (IEC 60811-404)
- Acid-proof alkaline (IEC 60811-404)
- UV resistant (EC 50289-4-17)
- Low-temperature impact (EN 60811-506)
- Water absorMIEC 60811-402)
- Hydrolysis resistant (IEC 60811-2-1)
- Packing:Synergy21 PE Bag+Test report+Label

MATERIAL LIST

③	OVER MOLD	75A PVC	2	
②	CONNECTOR	RJ45 8P8C Shielded Plug, Pin Gold Plated 3u" Shell Nickel plating COLOUR: Transparence Yellow	2	
①	CABLE	S/FTP CAT. 7 26AWG (BC*1P+AL-FOLL)*4PAIRS+BRAID (AL-MG) JACKET:TPE-LSZH OD:6.0±0.2mm	1	

NO.	PARTS NAME	SPECIFICATION STANDARD	QT' Y	REMARK
		NEW	2023-08-14	A
BY	CHK	REVISION RECORD MODIFICATION	DATE	REV.

SYNERGY 21				
CUSTOMER	ITEM NO.	manufacture country:	CHINA	UNIT MM
PRODUCT NAME	CAT. 6A S/FTP PATCH CORD			
DRAWN BY	CHECK BY	APPO BY	DATE	
SYNERGY 21	SYNERGY 21	SYNERGY 21	2023-08-14	

Black 3C	
Item No.	LENGTH (mm)
S217780	250 ± 10
S217781	500 ± 20
S217782	1000 ± 20
S217783	1500 ± 30
S217784	2000 ± 30
S217785	3000 ± 50
S217786	5000 ± 100
S217787	7500 ± 150
S217788	10000 ± 300
S217789	15000 ± 300
S217790	20000 ± 300
S217791	25000 ± 400
S217792	30000 ± 400
S217793	40000 ± 400
S217794	50000 ± 400

SYNERGY 21

		CUSTOMER	ITEM NO.					
BY	CHK	PRODUCT NAME	CAT. 7 S/FTP PATCH CORD	manufacture country:	CHINA	UNIT MM		
		NEW	2023-08-14	A	DRAWN BY	CHECK BY	APPO BY	DATE
		REVISION RECORD MODIFICATION	DATE	REV.	SYNERGY 21	SYNERGY 21	SYNERGY 21	2023-08-14