

Colored Coating Fiber: 250um±15um
 Inner Jacket: black
 Polyester yarn
 Outer Jacket: White (RAL9001) 2.2mm±0.2mm

Tension (Short Term)	120N, no change in attenuation after the test, no sheath damage
Tension (Long Term)	60N, no change in attenuation
Crush (Short Term)	500N/100mm, no fiber breakage, no sheath damage
Crush (Long Term)	100N/100mm, no change in attenuation

CE
 NB 0598
 Allnet Computersysteme GmbH.
 Maistr.2 D-82110 Germering Germany
 19
20190729_001
 EN50575:2014+A1:2016
 FTTH Optical Fiber Cable 4FO
 Supply of data transmission in buildings and other civil engineering works with the objective of limiting the generation and spread of fire and smoke
 Reaction to Fire: Eca
 Dangerous substances: none

ITEM NO.	LENGTH	FIBER	Color
S215571V2. 20m	20M	G657. A2	White
S215571V2. 40m	40M	G657. A2	White
S215571V2. 60m	60M	G657. A2	White

Note:
 1. Grade Designation: Each to Reference
 2. ROHS 3.0 and REACH Compliant
 3. Bending insensitive fiber

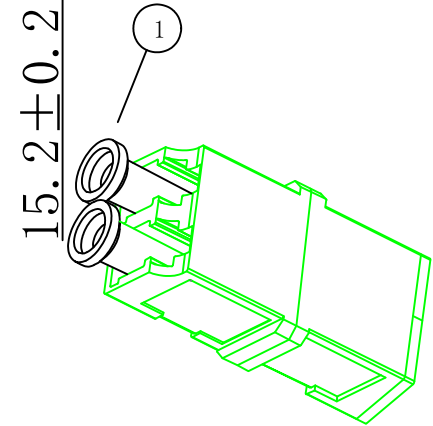
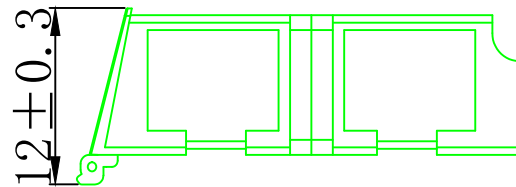
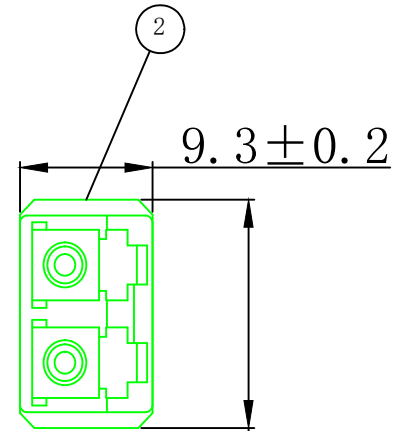
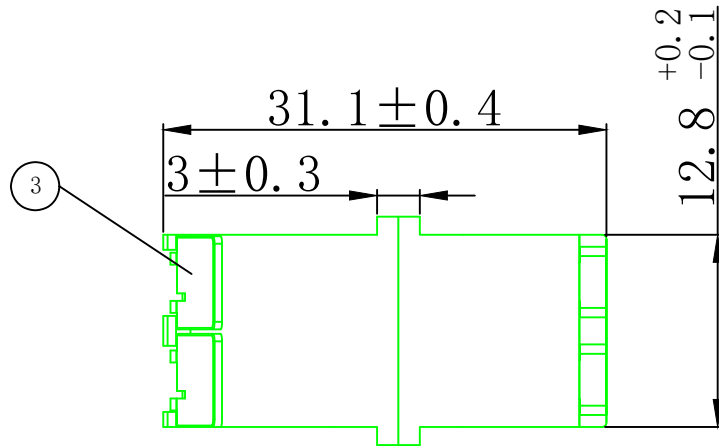
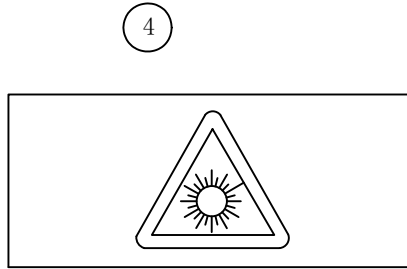
Type	Single-Mode
Insertion Loss	≤ 0.30dB
Return Loss	≥ 60dB
Test Wavelength	1310nm

⑨	0.9 Tube Hytrel Color:Red	440mm	
⑧	0.9 Tube Hytrel Color:Blue	440mm	
⑦	Heat Shrink Tubing	1	
⑥	Fanout Heat Shrink Tubing	1	
⑤	FIBER OPTICAL CABLE G657.A2 2C 250um Blue Red with KEVLAR Jacket LSZH OD: 2.2mm Color:White Printing: FIBER OPTICAL CABLE 2FO SM 9/125um G657.A2 LSZH HT CPR Eca MM/YYYY XXXXm	Xm	
④	LC White Dust Cap	2	
③	LC/APC 8° Ferrule	2	
②	LC SM 0.9 Green Connector	2	
①	LC 0.9mm Green Boot	2	

NO	SPECIFICATION STANDARD	QT'Y	REMARK
----	------------------------	------	--------

SYNERGY21

		CUSTOMER	AN		ITEM NO.	see the chart		
		PRODUCT NAME	2 cores LC/APC 8° fiber cable		Manufacture country	CHINA	UNIT	mm
		DATE	2022-07-25	REV.	A	DRAWNBY	CHECKBY	APPOBY
BY	CHK	REVISION RECORD MODIFICATIONS			DATE	SYNERGY21	SYNERGY21	SYNERGY21
								2022-07-25



NOTE:
ROHS 3.0 & Reach COMPLIANT

Typical Insertion Loss (dB)	≤0.12
Insertion Loss (dB)	≤0.20
Operating Temperature (° C)	-40 ~ +80
Storage Temperature (° C)	-40 ~ +85

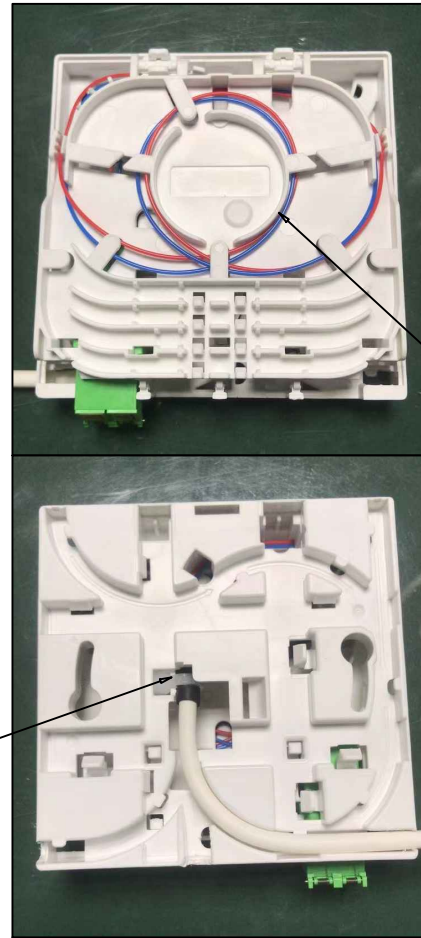
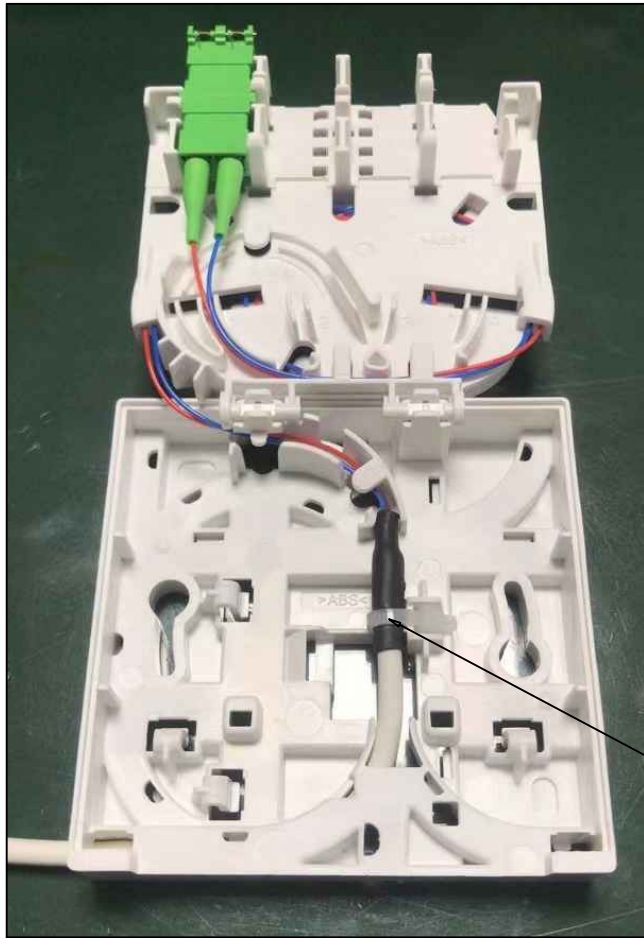
MATERIAL LIST:

④	Note that the laser label (Red Blue)	2pcs	
③	Green Dust Cap	2pcs	
②	LC Green Housing (SC simplex footprint)	1pcs	
①	LC White Dust Cap	2pcs	
NO.	SPECIFICATION STANDARD	QT' Y	REMARK

SYNERGY21					
CUSTOMER	AN	ITEM NO.	See the chart		
PRODUCT NAME	LC/APC Green (Ceramic) Duplex Adapter (With External Laser Protection Shutter) w/o Flange	Manufacture country	CHINA	UNIT	mm
DRAWNBY	CHECKBY	APPOBY	DATE		
SYNERGY21	SYNERGY21	SYNERGY21	2022-07-25		

NEW		2022-07-25	A
BY	CHK	REVISION RECORD MODIFICATIONS	DATE

RedBlue
Adapter label

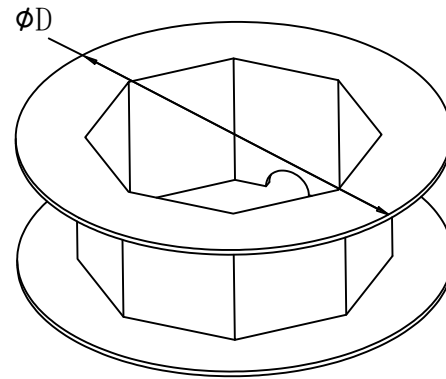
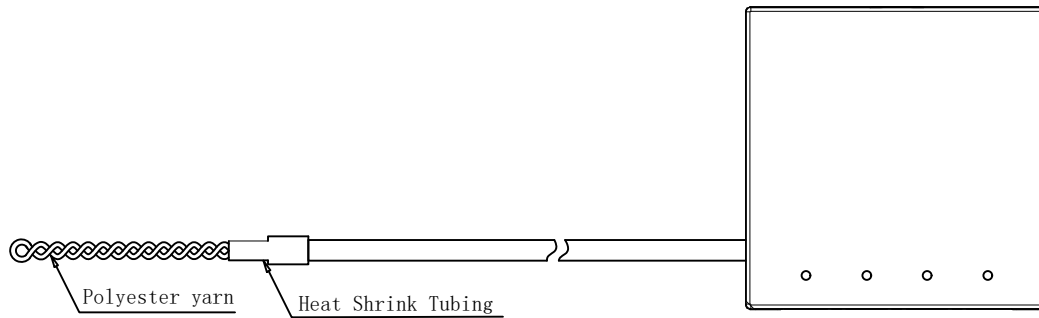


One lap

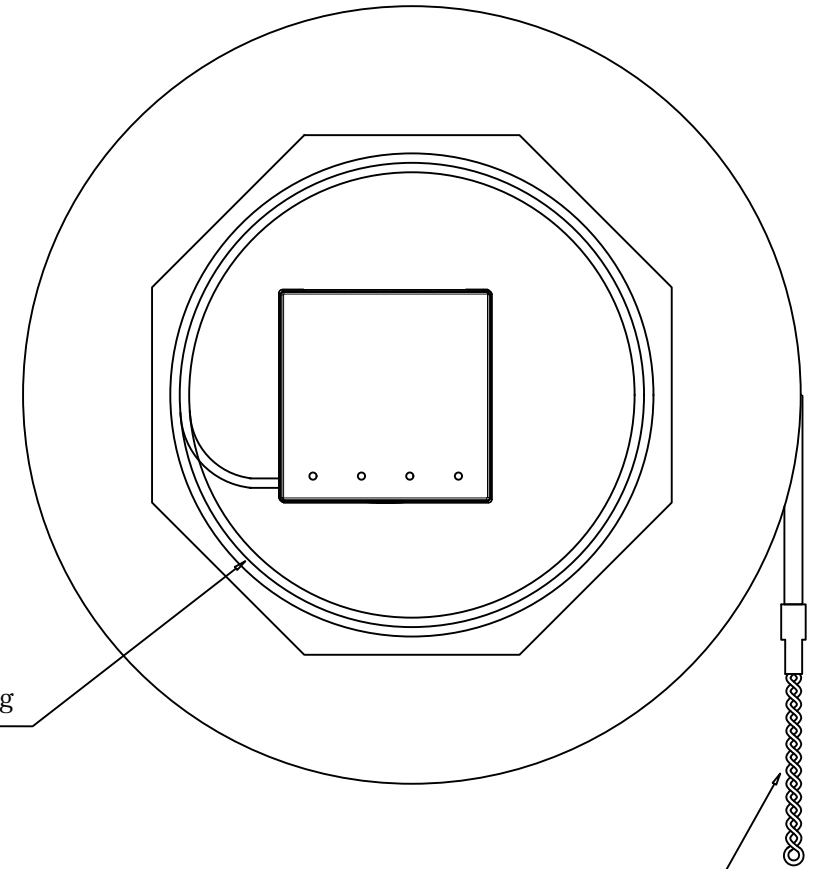
Cable tie

						SYNERGY21						
						CUSTOMER	AN	ITEM NO.	see the chart			
						PRODUCT NAME	Assemble		Manufacture country	CHINA	UNIT	mm
		NEW		2022-07-25	A	DRAWNBY	CHECKBY	APPOBY	DATE			
BY	CHK	REVISION RECORD MODIFICATIONS			DATE	REV.	SYNERGY21	SYNERGY21	SYNERGY21	2022-07-25		

End-product drawing

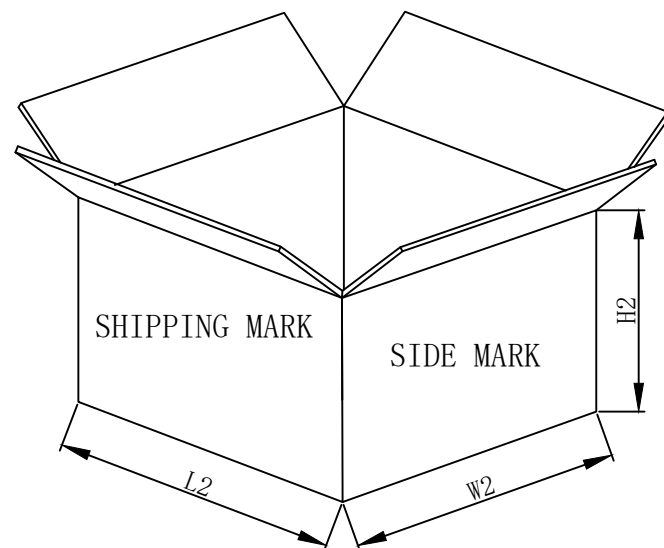
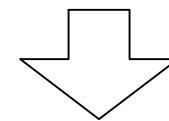
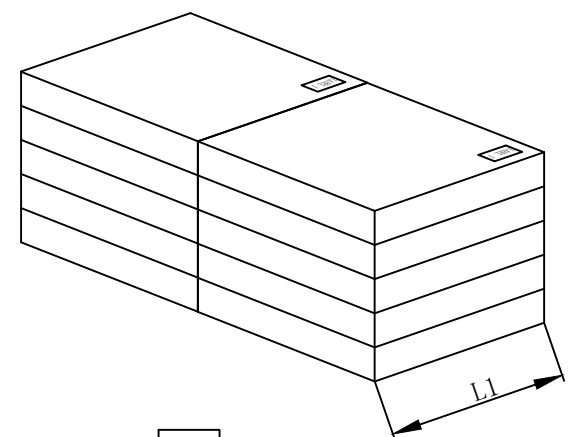
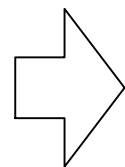
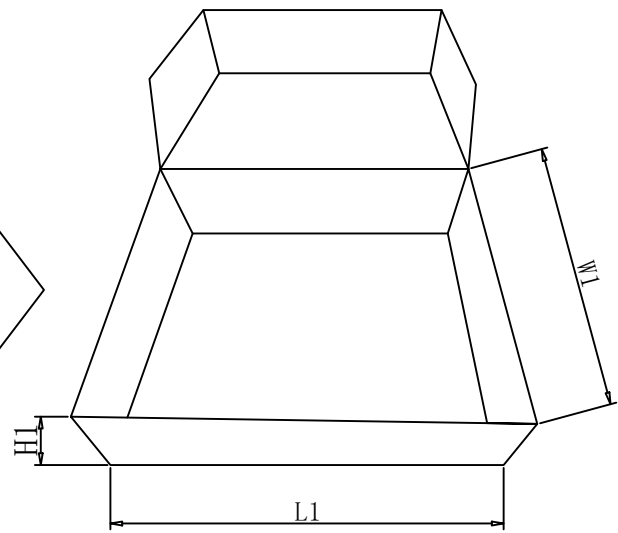
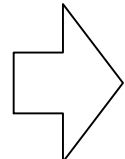
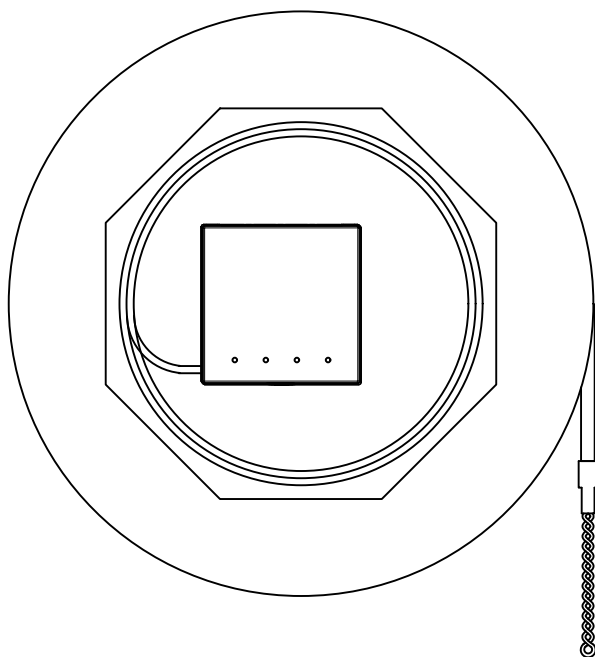


Paper shaft



Clockwise winding

										SYNERGY21				
						CUSTOMER		AN		ITEM NO.		See the chart		
						PRODUCT NAME		Assemble		Manufacture country		CHINA	UNIT	mm
		NEW		2022-07-25		A		DRAWNBY		CHECKBY		APPOBY		DATE
BY	CHK	REVISION RECORD MODIFICATIONS			DATE	REV.	SYNERGY21		SYNERGY21		SYNERGY21		2022-07-25	



ITEM NO.	LENGTH	FIBER	Color
S215571V2. 20m	20M	G657. A2	White
S215571V2. 40m	40M	G657. A2	White
S215571V2. 60m	60M	G657. A2	White

SinglePack: 1pc/box+label; SubPack: no; Carton +labelx2;

SYNERGY21

						CUSTOMER	AN	ITEM NO.	see the chart	
						PRODUCT NAME	PACKING	Manufacture country	CHINA	UNIT mm
			NEW	2022-07-25	A	DRAWNBY	CHECKBY	APPOBY	DATE	
BY	CHK	REVISION RECORD MODIFICATIONS			DATE	REV.	SYNERGY21	SYNERGY21	SYNERGY21	2022-07-25