



ALL-PS103G-BT60-PD

PoE Splitter-Mini/Extractor / Gigabit / 60W / USB-C PD



USER MANUAL

Package contents

Check the following contents of your package:

- 1x ALL-PS103G-BT60-PD
- 1x User Manual
- 1x RJ45 cable

If any part is missing or damaged, please contact your source immediately.

Features

- Complies with IEEE802.3af, IEEE802.3at, IEEE802.3bt
- Data speed 10/100/1000Mbps
- Auto-sensing algorithm enables taking power from PSE
- Splits data and power from PoE to Type-C USB devices
- Wide input voltage range 36VDC to 57VDC
- Maximum output power up to 50W
- Charge output 5VDC / 9VDC / 12VDC / 15VDC / 20VDC
- Thermal cut off
- Overvoltage protection (OVP)
- Overcurrent protection (OCP)
- Short circuit protection (SCP)
- High efficiency DC/DC converter
- LED indicators for power input indication
- Plug-and-play
- Tiny size, 80mm (L) x 54mm (W) X 24mm (H)

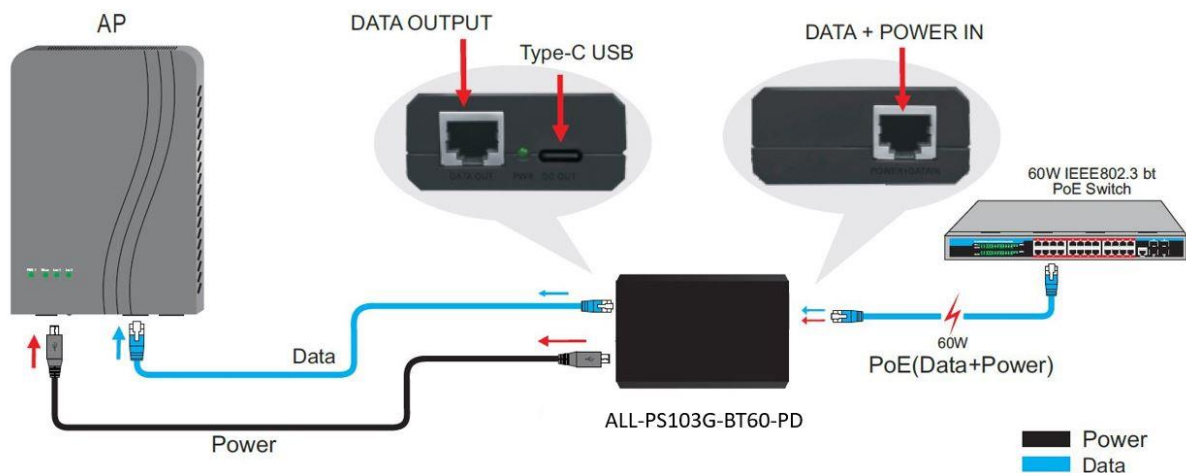
Description

The ALL-PS103G-BT60-PD is powered via PoE, so no additional power supply is required. Simply connect the input of the splitter to a PoE switch or PoE injector and the output side to a non-PoE Type-C PD network device such as access points, computers, Ipads, notebooks, etc. to provide power and data. The charge output voltage automatically adjusts to 5VDC / 9VDC / 12VDC / 15VDC / 20VDC if the connected end device also meets the standard. So this splitter can extend your network if you want to place network devices in places where there are no electrical outlets available.

Hardware



Installation example



Technical Details

Ports	1x 10/100//1000M RJ45 PoE Port (DATA + POWER IN) 1x 10/100/1000M RJ45 LAN Port (only DATA) 1x Type-C USB (DC OUT)
Network Media	10Mbit: Cat 3, 4, 5 Unshielded Cable 100Mbit: Cat 5, 5E Unshielded Cable 1000Mbit: Cat 5E, 6 Unshielded Cable
Pass-Through-Data Rates	10 / 100 / 1000 Mbit
Output	(Adaptive) 5VDC / 9VDC / 12 VDC / 15VDC / 20VDC
Input Power Requirements	PoE input voltage: 36VDC to 57VDC
Connectors	Shielded RJ-45, EIA 568A und 568B
Dimensions	80 x 54 x 24 mm
Environmental Conditions	Operating Ambient Temperature: 0 to 40°C Operating Humidity: Maximum 90%, Non-condensing Storage Temperature: -20 to 70°C Storage Humidity: Maximum 95%, Non-condensing
Regulatory Compliance	IEEE 802.3bt (60W PoE) IEEE 802.3at (30W PoE) IEEE 802.3af (15W PoE) IEEE 802.3 (Ethernet) IEEE 802.3u (Fast Ethernet) IEEE 802.3ab (Gigabit Ethernet) RoHS Compliant, CE, FCC



Safety Warnings

For your safety, be sure to read and follow all warning notices and instructions.

- Do not open the device. Opening or removing the device cover can expose you to dangerous high voltage points or other risks. Only qualified service personnel can service the device. Please contact your vendor for further information.
- Do not use your device during a thunderstorm. There may be a risk of electric shock brought about by lightning.
- Do not expose your device to dust or corrosive liquids.
- Do not use this product near water sources.
- Make sure to connect the cables to the correct ports.
- Do not obstruct the ventilation slots on the device.

CE

ALLNET GmbH Computersysteme declares that the device **ALL-PS103G-BT60-PD** is in compliance with the essential requirements and other relevant provisions of Directive 2014/30/EU. The Declaration of conformity can be found under this link: <http://ce.allnet.de/>

ALLNET GmbH Computersysteme
Maistrasse 2
82110 Germering

Tel.: +49 (0)89 894 222 - 22
Fax: +49 (0)89 894 222 - 33
Email: info@allnet.de