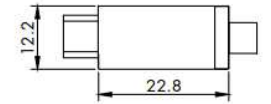
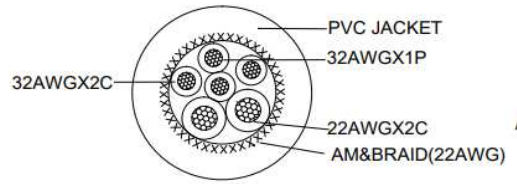
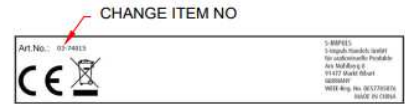
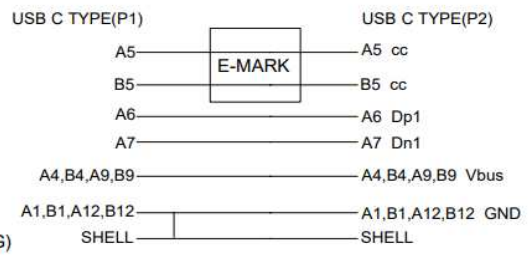


	REVISED	DR	APP



PIN ASSIGNMENT:



NOTE:
 1. Electronic test
 1.1 Open/short 100% test
 2. Max. Data rate: Up to 480Mbps
 3. E-MARK IC :Hyntek Semiconductor (PD3 5A,100W)
 RoHS2.0 (2011/65/EU) Compliant

- Connections: USB-C plug to USB-C plug
- max. Bandwidth: 480 Mbps
- USB version: USB 2.0 (Hi-Speed USB)
- Compatible with all USB Type-A interfaces (i.a.): Hi-Speed USB, SuperSpeed USB 5Gbps, SuperSpeed USB 10Gbps
- Suitable for USB quick chargers / PowerDelivery (up to 100W)

ITEM NO.	LENGTH
03-74015	500±20
03-74025	1000±20
03-74155	1500±20
03-74035	2000±20
03-74045	3000±30

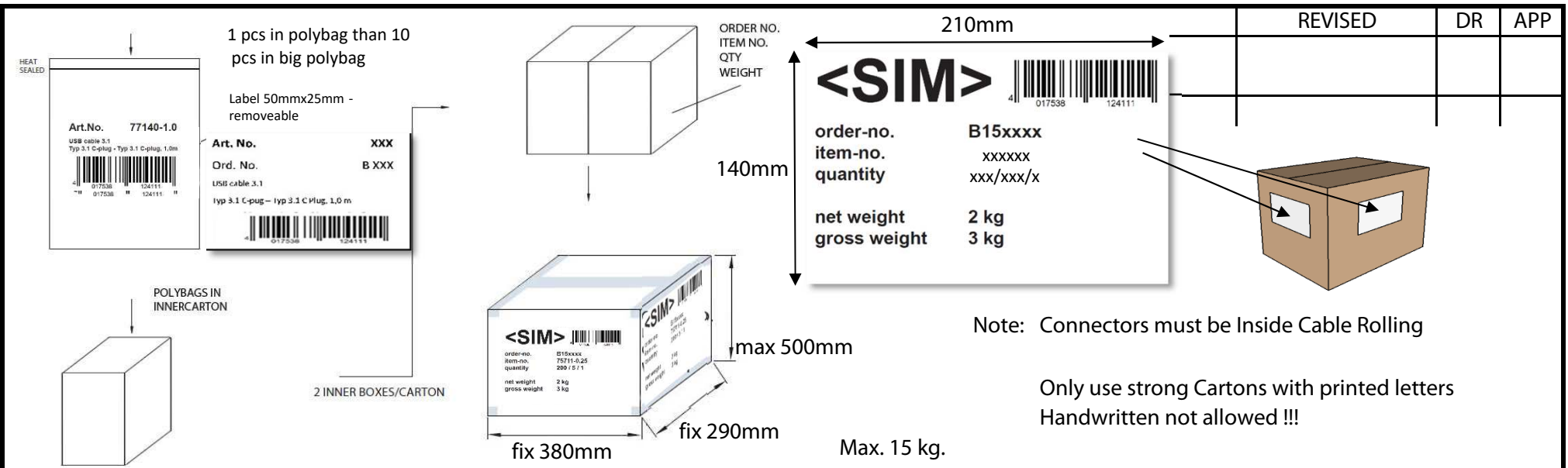
- Wire material: copper
- Plug: moulded
- Plug material: CuZnNi
- Contact surface: gold-plated pins
- Plug cover: metal, ALU

- Cable type: round cable
- Material cable sheath: "Highflex" PVC
- Cable sheath diameter (ca.): 4.0mm

⑤	DUST COVR	TRANSPARETN PE
④	OUTER MOLD	ALUMINUM/SILVER
③	BOOT	PVC/DARK BLUE
②	USB CM	USB C MALE, GOLD PLATED PIN, NICKEL PLATED SHELL
①	CABLE	(32AWG/1 COPPER*1P+32AWG/1 COPPER*2C+22AWG/45 COPPER*2C +AL-FOIL+BRAID)JACKET :PVC/DARK BLUE,OD:4.5±0.2mm
NO	PART NAME	PICTURES AND COLORS CAN DIFFER FROM THE PRODUCT!



DESCRIPTION		HOME CINEMA USB-C CONNECTING CABLE, 2.0					
SIZE	A4	DATE	22.11.2021	CHECKED		TOL	03-74015
UNIT	MM	DRAWN	R.Hueller	APPROVED			
CUSTOM TARIF NO.: 854442909000							



ART.NO.	LENGTH	ROLLING SIZE	NET.WEIGHT (g)	PACKING	EAN CODE
03-74015	0.5m	100x80x14mm	25g	400 EXP / 200 INNER - 5/1 in pb with sticker	4017538134868
03-74025	1.0m	100x80x20mm	38g	200 EXP / 100 INNER - 5/1 in pb with sticker	4017538134875
03-74115	1.5m	110x90x20mm	51g	150 EXP / 75 INNER - 5/1 in pb with sticker	4017538134882
03-74035	2.0m	140x120x20mm	66g	140 EXP / 70 INNER - 5/1 in pb with sticker	4017538134899
03-74045	3.0m	140x120x30mm	82g	100 EXP / 50 INNER - 5/1 in pb with sticker	4017538134905

DESCRIPTION		HOME CINEMA USB-C CONNECTING CABLE, 2.0				
SIZE	A4	DATE	22.11.2021	CHECKED		TOL
UNIT	MM	DRAWN	R.Hueller	APPROVED		
CUSTOM TARIF NO.: 854442909000						
03-74015						