

NOTE:
RoHS 3.0 And Reach Compliant
1.0mm thickness Metallic Panel with plastic powder cladding

Accessory:
Screw and Nut M6*16mm * 4 set
Dust cap SC SX type * 24 pcs
Cable connector PG13.5*4pcs

SinglePack: 1pc/box+label; SubPack:
no; Carton +labelx2;

MATERIAL LIST:

⑤	Spool	ABS Plastic Material	2	
④	Inner Panel	1.0mm thickness Metallic Panel with plastic powder cladding	1	
③	Mounting	1.5mm thickness Metallic Panel with plastic powder cladding	2	
②	Upper Panel Cover	1.0mm thickness Metallic Panel with plastic powder cladding	1	
①	Outer Panel	1.0mm thickness Metallic Panel with plastic powder cladding	1	
NO.	PARTS NAME	SPECIFICATION DESCRIPTION	QT'Y	REMARK

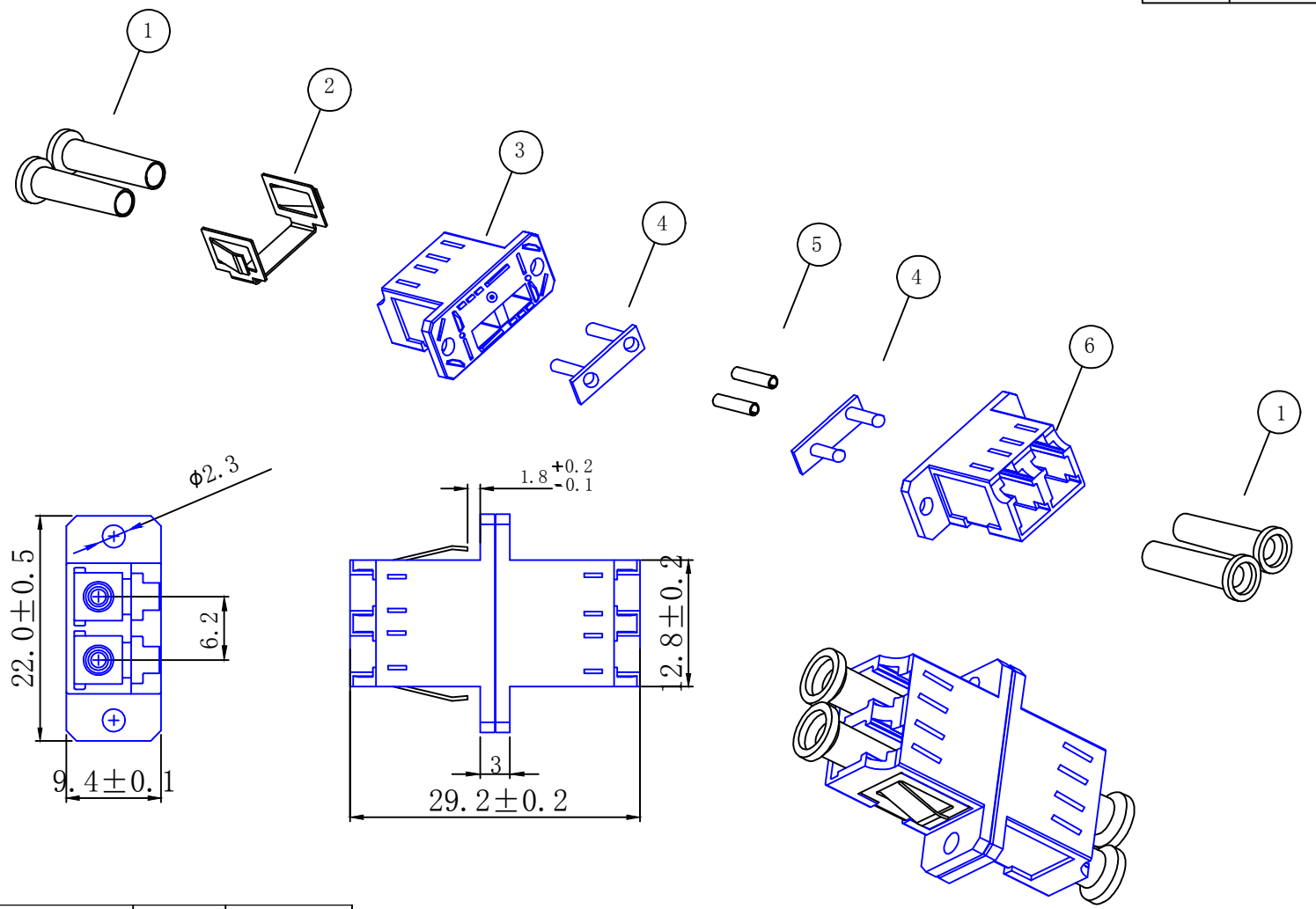
ITEM NO.	Colour
S216299V3	Black RAL9005
S216298V3	Gray RAL7035

SYNERGY21

CUSTOMER		ITEM NO.		SEE THE CHART	
PRODUCT NAME		manufacture country:		CHINA	UNIT MM
NEW		2022-03-10	V0	DRAWNBY	CHECKBY
BY	CHK	REVISION RECORD MODIFICATIONS	DATE	REV.	DATE

19" Fiber Optic Patch Panel, 1U
sliding type 24port SC Simplex

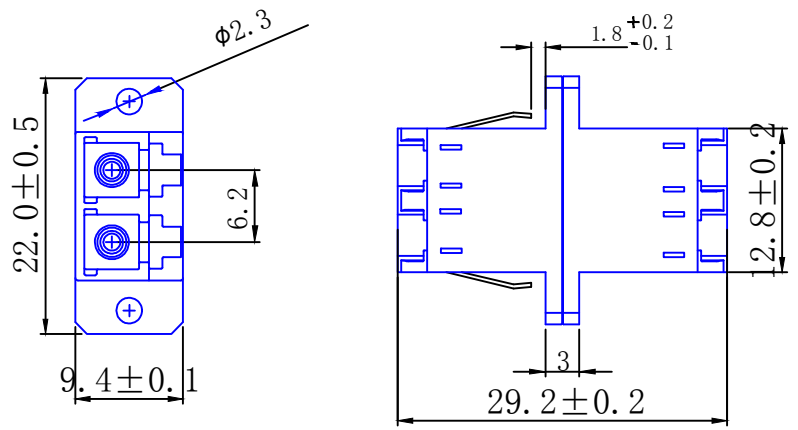
SYNERGY21	SYNERGY21	SYNERGY21	SYNERGY21
SYNERGY21	SYNERGY21	SYNERGY21	2022-03-10



NOTE:
RoHS 2.0 & Reach COMPLIANT

Insertion Loss(dB)	≤0.20
Operating Temperature(° C)	-40 ~+80
Storage Temperature(° C)	-40 ~+85

PACKING:1PC/PE BAG + TEST REPORT +LABEL

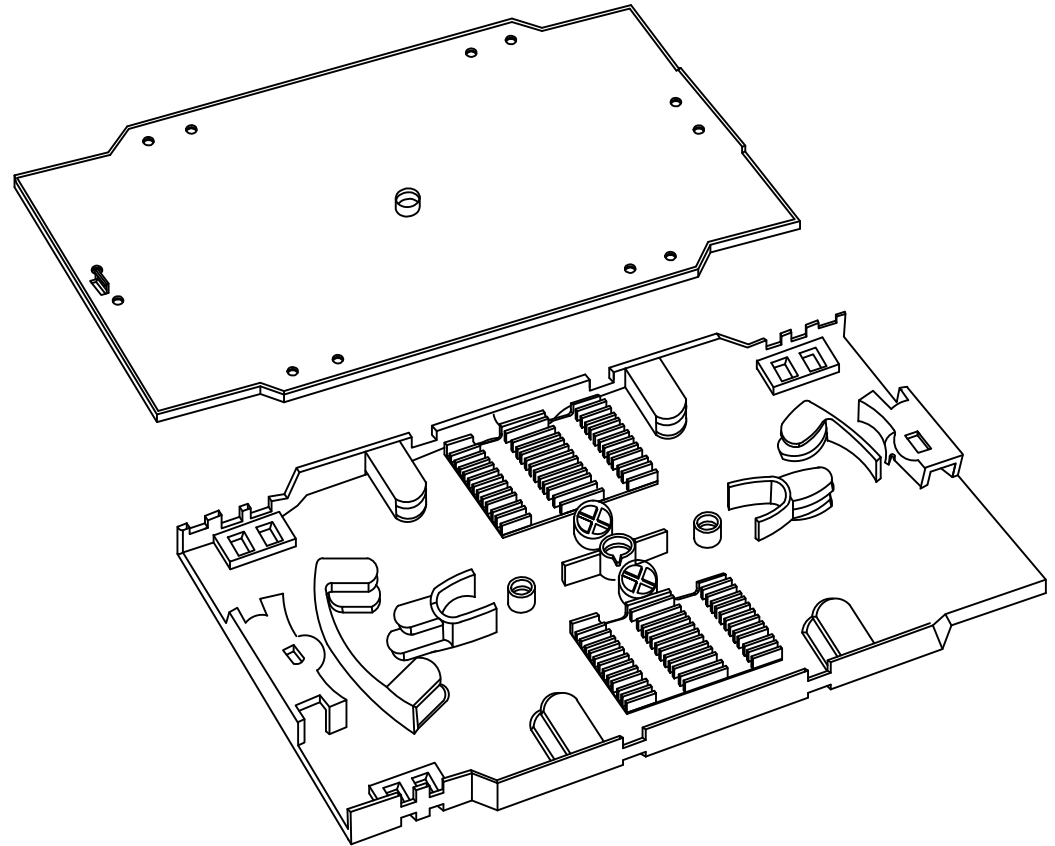
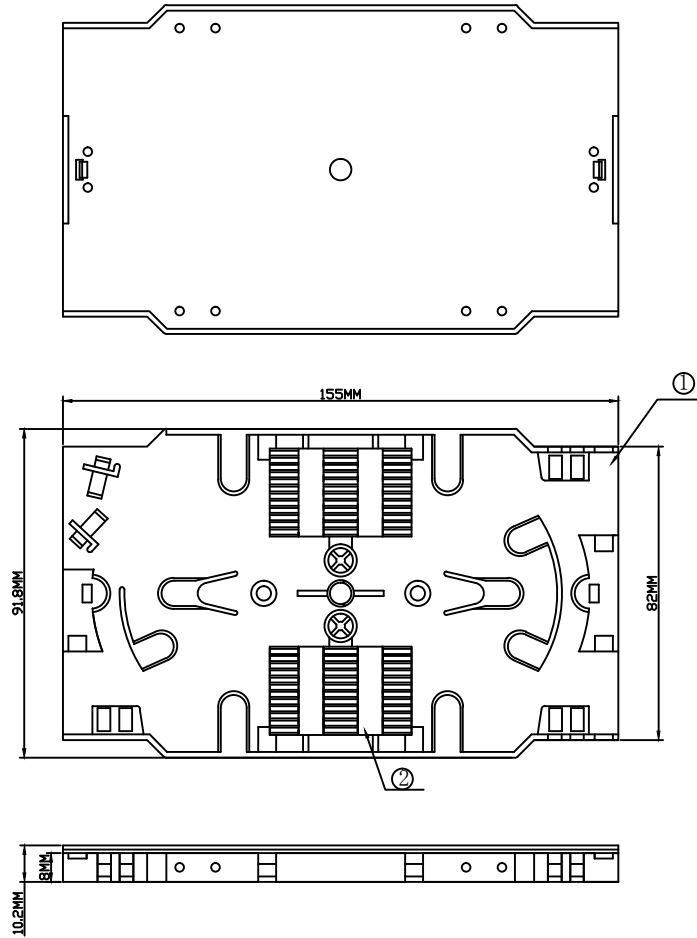


MATERIAL LIST:

⑥	LC Blue Plastic body (SC simplex footprint)	1pcs	
⑤	LC Sleeve ceramic (Single-Mode)	1pcs	
④	Blue bush	2pcs	
③	LC Blue Plastic body (SC simplex footprint)	1pcs	
②	LC Metal Mount	1pcs	
①	LC White Dust Cap	4pcs	
NO.	SPECIFICATION STANDARD	QT' Y	REMARK

SYNERGY 21					
CUSTOMER		ITEM NO.	S215426		
PRODUCT NAME	LC SM(ceramic)Duplex Plastic Adapter(SC SX Footprint)	manufacture country	CHINA	UNIT	MM
		DRAWNBY	CHECKBY	APPOBY	DATE
BY	CHK	SYNERGY 21	SYNERGY 21	SYNERGY 21	2016-11-18

		NEW	2016-11-18	A			
		REVISION RECORD MODIFICATIONS	DATE	REV.			



- with 2* 12 core splicing Holder ,black
 - Material:Plastic (Non fire retardant)
 - Color: beige
 - RoHS 2.0 and Reach Compliant
- Packing:1pcs/PE bag+label 1, 100pcs/innet carton+outer carton+label 3

MATERIAL LIST:

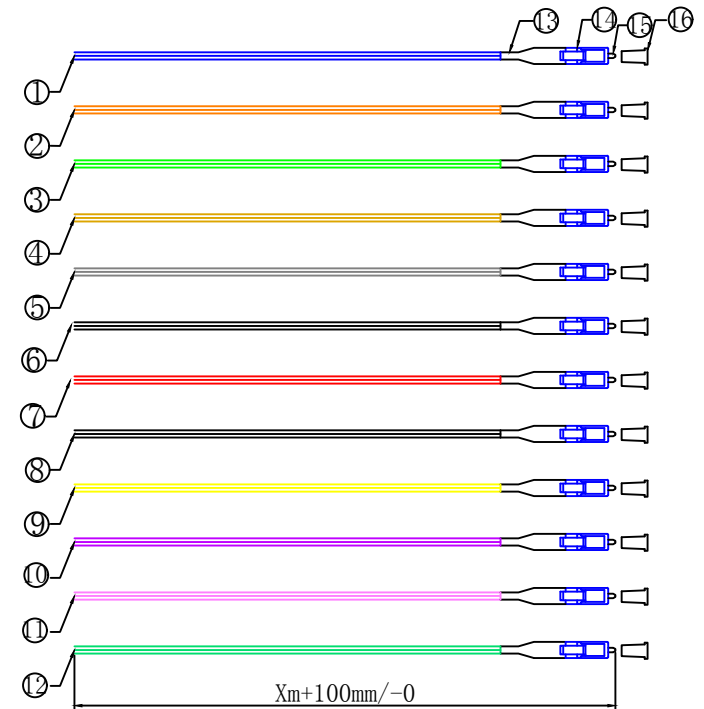
②	Splic Holder	ABS/Black	2		SYNERGY 21					
①	Splicing tray	24 cores splicing tray, ABS/Beige	1							
NO.	PARTS NAME	SPECIFICATION DESCRIPTION	QT' Y	REMARK	CUSTOMER	ITEM NO.	S215474			
					PRODUCT NAME	Splicing tray with 2pcs of 12core holders	manufacture country	CHINA	UNIT	MM
		NEW	2017. 04. 27	A	DRAWNBY	CHECKBY	APPOBY	DATE		
BY	CHK	REVISION RECORD MODIFICATIONS	DATE	REV.	SYNERGY 21	SYNERGY 21	SYNERGY 21	2017. 04. 27		

NOTE:

1. The primary coating and secondary coating have the same color
2. Loose buffered, easy strip type at least 1m
3. ROHS 2.0 and REACH compliant

MATERIAL LIST:

⑬	LC White Dust Cap	12	
⑮	LC/ UPC SM Ferrule	12	
⑭	LC SM Blue 0.9 Connector	12	
⑬	LC 0.9 White Boot	12	
⑫	Fiber Cable LOOSE TUBE SM 9/125 G657. A2 0.9mm TURQUOISE LSZH	Xm	
⑪	Fiber Cable LOOSE TUBE SM 9/125 G657. A2 0.9mm PINK LSZH	Xm	
⑩	Fiber Cable LOOSE TUBE SM 9/125 G657. A2 0.9mm VIOLET LSZH	Xm	
⑨	Fiber Cable LOOSE TUBE SM 9/125 G657. A2 0.9mm YELLOW LSZH	Xm	
⑧	Fiber Cable LOOSE TUBE SM 9/125 G657. A2 0.9mm BLACK LSZH	Xm	
⑦	Fiber Cable LOOSE TUBE SM 9/125 G657. A2 0.9mm RED LSZH	Xm	
⑥	Fiber Cable LOOSE TUBE SM 9/125 G657. A2 0.9mm WHITE LSZH	Xm	
⑤	Fiber Cable LOOSE TUBE SM 9/125 G657. A2 0.9mm GREY LSZH	Xm	
④	Fiber Cable LOOSE TUBE SM 9/125 G657. A2 0.9mm BROWN LSZH	Xm	
③	Fiber Cable LOOSE TUBE SM 9/125 G657. A2 0.9mm GREEN LSZH	Xm	
②	Fiber Cable LOOSE TUBE SM 9/125 G657. A2 0.9mm ORANGE LSZH	Xm	
①	Fiber Cable LOOSE TUBE SM 9/125 G657. A2 0.9mm BLUE LSZH	Xm	
NO.	SPECIFICATION STANDARD	QT* Y	REMARK



Grade Designation: Each to Reference

Type	Single-Mode
Insertion Loss	≤0.3dB (IEC 61300-3-4)
Return Loss	≥50dB (IEC 61300-3-6)
Test Wavelength	1310nm

ITEM NO.	Length
S215475V2	2.0m

SYNERGY21

		CUSTOMER				ITEM NO.	See the chart		
		PRODUCT NAME	Pigtail LC/UPC SM 9/125 μm 12 different colours 0.9			manufacture country:	CHINA	UNIT	MM
		DATE	2021-12-03	REV.	A	DRAWNBY	CHECKBY	APPOBY	DATE
BY	CHK	REVISION RECORD MODIFICATIONS			DATE	SYNERGY21	SYNERGY21	SYNERGY21	2021-12-03

SYNERGY 21

TEST REPORT

Batch No.		Attention: Please clean the fiber surfaces! Achtung: Bitte reinigen Sie Steckerschnittflächen! 
Artikel NO.		
ITEM Number		
Description		

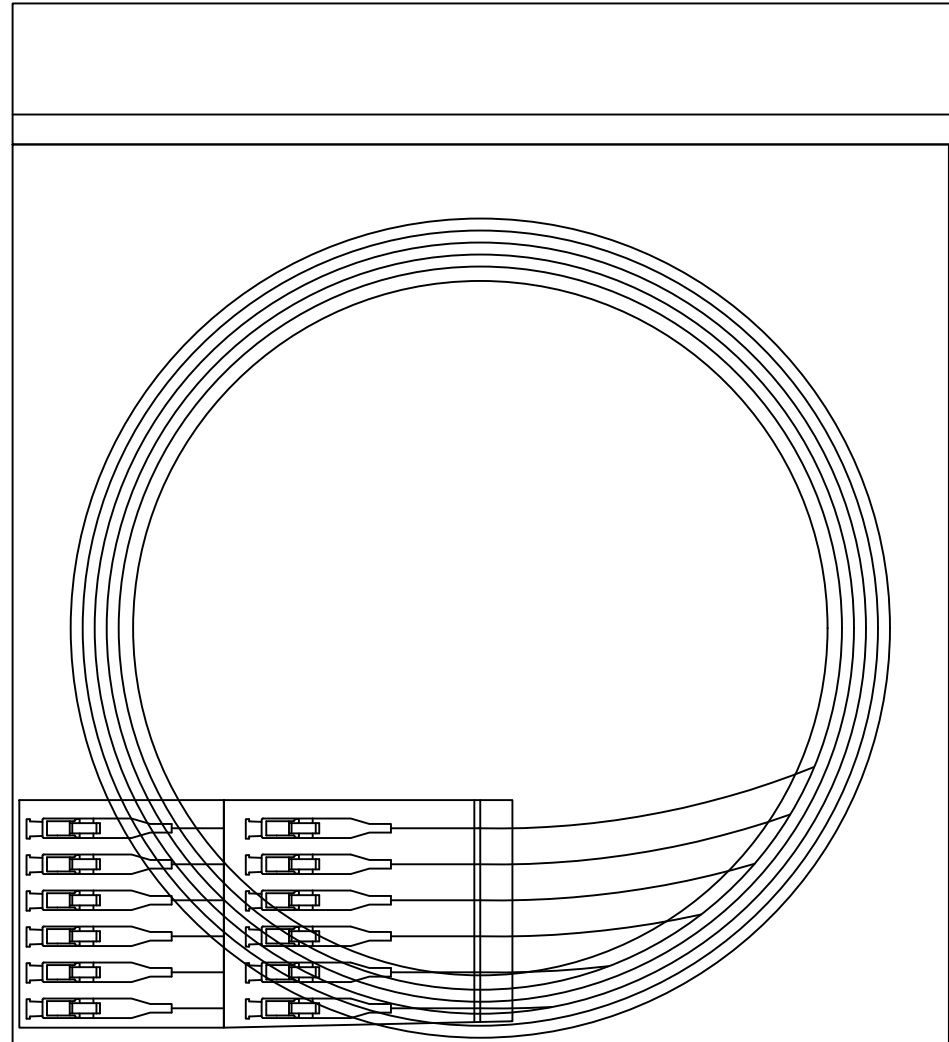
Notes

Min. Bending Radius (mm)	Static: 10*D Dynamic: 20*D	D: Cable Diameter
Fiber Type	G657.A2	Must be the same type of fiber to splice.
Index of Refraction	1310nm: 1550nm:	

TEST VALUES

Standard (Each to Reference)		Allow Loss $\lambda=1310nm$		
		Insertion Loss (IBC 61300-3-4)	$\leq 0.30dB$	Return Loss (IBC 61300-3-6) $UPC > 50dB$
1	blue			
2	orange			
3	green			
4	brown			
5	grey			
6	white			
7	red			
8	black			
9	yellow			
10	violet			
11	pink			
12	turquoise			
RESULT		OK		

Packing: 1pc/SYNERGY 21 Bag A+test report, 20pcs/Inner carton, 80pcs/Outer carton



SYNERGY21

		CUSTOMER				ITEM NO.	See the chart			
		PRODUCT NAME	Pigtail LC/UPC SM 9/125 μm 12 different colours 0.9			manufacture country:	CHINA	UNIT	MM	
		NEW		2021-12-03	A	DRAWNBY	CHECKBY	APPOBY	DATE	
BY	CHK	REVISION RECORD MODIFICATIONS			DATE	REV.	SYNERGY21	SYNERGY21	SYNERGY21	2021-12-03