

TAT140

4G LTE ASSET TRACKER

4G LTE   IP68



ROBUST

Robust, small and easy to install

INGRESS PROTECTION

Water and dust resistant for outdoor integrations (IP68)

PERIODIC REPORTS AND WEEKLY SCHEDULER

Track on stop & in motion

OTA UPDATES

Convenient OTA (over-the-air) updating through user-friendly applications



VALUABLE ASSETS



TRAILER TRACKING



CONSTRUCTION EQUIPMENT

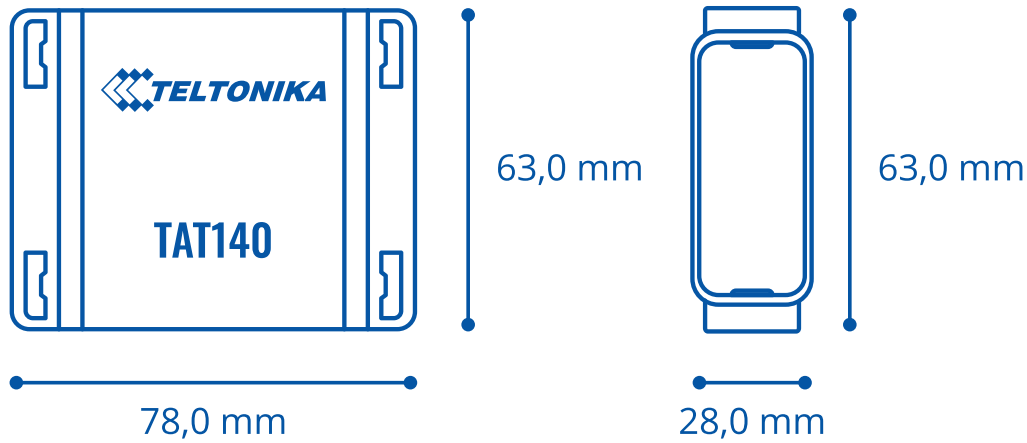


VEHICLE DOUBLE SECURITY



TOOL TRACKING

Reliable tracking of construction equipment, tools, furniture and other non-powered assets can now be achieved with the newest Teltonika Telematics asset tracking solution. With the implementation of LTE you will be able to monitor your valuables almost everywhere in the world, since the technology boasts an extended network coverage and offers improved data transmission. The unit is perfect for assets that are on the move, as the device can operate in deep sleep mode and send reports or alarms in accordance with the pre-programmed configuration. Water-resistant case and convenient mounting contribute to the crucial features ensuring smooth monitoring of your assets and even vehicles.



Product

Model name	TAT140-QJIB0	TAT140-QKIB0
------------	--------------	--------------

Module

Name	Quectel EG915U-EU with Teltonika TM2500	Quectel EG915U-LA with Teltonika TM2500
Technology	LTE(Cat1)/2G(GSM/GPRS)/GNSS/BLUETOOTH	LTE(Cat1)/2G(GSM/GPRS)/GNSS/BLUETOOTH

GNSS*

GNSS	L1: GPS, GLONASS, GALILEO, BEIDOU, SBAS*, QZSS*, DGPS*, AGPS*	L1: GPS, GLONASS, GALILEO, BEIDOU, SBAS*, QZSS*, DGPS*, AGPS*
Receiver	33 tracking channel 99 acquisition channel	33 tracking channel 99 acquisition channel
Tracking sensitivity	-165 dBm	-165 dBm
Position accuracy	< 2.5 m CEP	< 2.5 m CEP

*Optional modes available with custom firmware applications, for more information contact your sales manager.

Cellular

2G bands	GSM: B2/B3/B5/B8	GSM: B2/B3/B5/B8
4G bands	LTE FDD: B1/B3//B5/B7/B8/B20/B28	LTE-FDD: B2/B3/B4/B5/B7/B8/B28/B66
Data transfer	LTE FDD (CAT 1): Max. 10 Mbps (DL) / Max. 5 Mbps (UL); GSM (GPRS): Max. 85.6 Kbps (DL) / Max. 85.6 Kbps (UL)"	LTE FDD (CAT 1): Max 10Mbps (DL)/Max 5Mbps (UL); GSM (GPRS): Max 85.6Kbps (DL)/Max 85.6Kbps (UL)
Transmit power	Class 4 for GSM850/900: 33±2dBm Class 1 for GSM1800/1900: 30±2dBm Class 3 for LTE-FDD: 23±2dBm	Class 4 for GSM850/900: 33±2dBm Class 1 for GSM1800/1900: 30±2dBm Class 3 for LTE-FDD: 23±2dBm
Data support	SMS (TEXT), Network protocols (TCP,UDP,TLS, EGTS, MQTT**)	SMS (TEXT), Network protocols (TCP,UDP,TLS, EGTS, MQTT**)

Power

Battery	2200mAh, 2S, extremely low self-discharge Li-SOCI2 batteries 7.2V, Non-rechargeable	2200mAh, 2S, extremely low self-discharge Li-SOCI2 batteries 7.2V, Non-rechargeable
---------	---	---

** Optional protocols available with custom firmware applications, for more information contact your sales manager.

Bluetooth

Specification	4.0 + LE	4.0 + LE
Supported peripherals	EYE Sensors, EYE Beacons (recovery mode only), Universal BLE sensor support	EYE Sensors, EYE Beacons (recovery mode only), Universal BLE sensor support

Physical specification

Dimensions	78 x 63 x 28 mm (L x W x H)	78 x 63 x 28 mm (L x W x H)
Weight	115g. (with 2 cells battery)	115g. (with 2 cells battery)

Operating environment

Operating temperature (with battery)	-35 °C to +75 °C	-35 °C to +75 °C
Storage temperature (with battery)	-40 °C to +85 °C (Recommended max. 30°C)	-40 °C to +85 °C (Recommended max. 30°C)
Operating humidity	5% to 95% non-condensing	5% to 95% non-condensing
Ingress Protection Rating	IP68	IP68
Battery discharge temperature	-60 °C to +85 °C	-60 °C to +85 °C
Battery storage temperature	Recommended max. 30°C	Recommended max. 30°C

Interface

GNSS antenna	Internal High Gain	Internal High Gain
Cellular antenna	Internal GSM High Gain	Internal GSM High Gain
USB	2.0 Micro-USB	2.0 Micro-USB
LED indication	1 LED	1 LED
SIM	Micro-SIM	Micro-SIM
Memory	128MB internal flash memory	128MB internal flash memory

Features

Sensors	Accelerometer	Accelerometer
Scenarios	Enhanced tamper detection (coming soon), accelerometer wake up, GNSS, Bluetooth sensor support, Recovery mode, Periodic tracking on stop / on move, Scheduler with time zones, Backup tracking, Static navigation, Lost BLE sensor	Enhanced tamper detection (coming soon), accelerometer wake up, GNSS, Bluetooth sensor support, Recovery mode, Periodic tracking on stop / on move, Scheduler with time zones, Backup tracking, Static navigation, Lost BLE sensor
Sleep Modes	Single custom sleep mode	Single custom sleep mode
Configuration and firmware update	FOTA Web, Teltonika Configurator (USB)	FOTA Web, Teltonika Configurator (USB)
SMS	Configuration, Events, Debug	Configuration, Events, Debug
GPRS commands	Configuration, Debug	Configuration, Debug
Time Synchronization	GNSS, NITZ, NTP	GNSS, NITZ, NTP

Certification & Approvals*

Regulatory	CE/RED, E-Mark, RCM, UKCA	CE/RED, E-Mark, RCM, UKCA
------------	---------------------------	---------------------------

* [In progress](#)