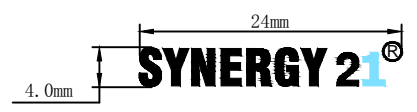


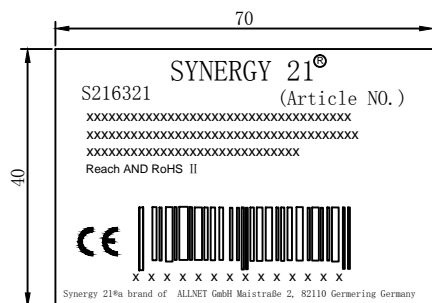
- NOTE:
1. PANEL FRAME:SPCC CARBON STEEL T=1.5MM POWDER COATING
 2. PANEL bracket SPCC NICKEL PLATING
 3. BODY COLOR: GREY RAL7035
 4. RoHS2.0 AND REACH Compliant
 5. Apply to the keystone jack which the width less than 17.4mm
- "1 2 3.....24" Color: black Font : Arial H:3.35MM
6. PACKING:1pcs/panel box+lable, 5pcs/carton
- Accessory:
1. Cable Tie(140×3.0mm)×24Pcs
 2. Screw and Nut M6*18mm × 4set

LOGO:



"SYNERGY2 "for black printing, The pantone of colour is black C
 "1" for blue printing, The pantone of colour is 298C

		UPDATE PACKING TYPE	2018-03-20	A4						
		REMOVE THE BLACK SQUARES	2014-01-08	A3	SYNERGY 21					
		UPDATE LOGO	2013-10-23	A2	CUSTOMER		ITEM NO.	S216321		
		UPDATE COMPLIANT	2013-07-10	A1	PRODUCT NAME	CAT. 6A STP 24port BLANK PATCH PANEL GREY	manufacture country	China	UNIT	MM
		NEW	2011-07-11	A	DRAWNBY	CHECKBY	APPOBY	DATE		
BY	CHK	REVISION RECORD MODIFICATIONS	DATE	REV.	SYNERGY 21	SYNERGY 21	SYNERGY 21	2018-03-20		



Label 1

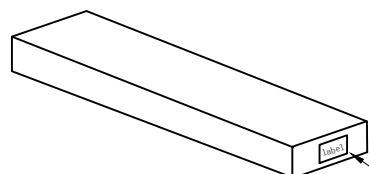
SHIPPING MARK



PO NO. :
REACH and ROHS 2.0 Compliant
MADE IN CHINA

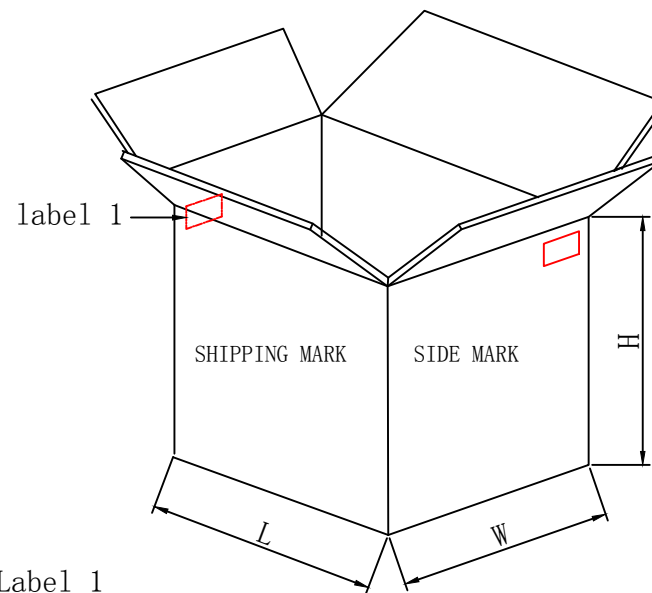
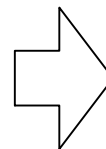
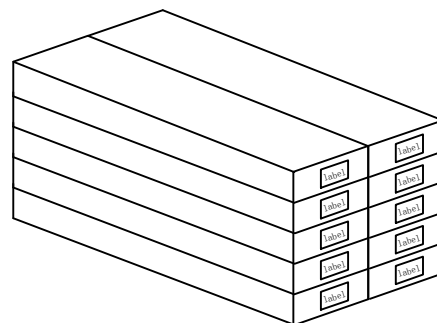
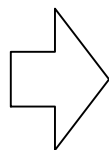
SIDE MARK

PO NO. :
Item no:
Q' TY:
N. W
G. W
Carton no.
MEAS.



label 1

1pcs/box+Label 1

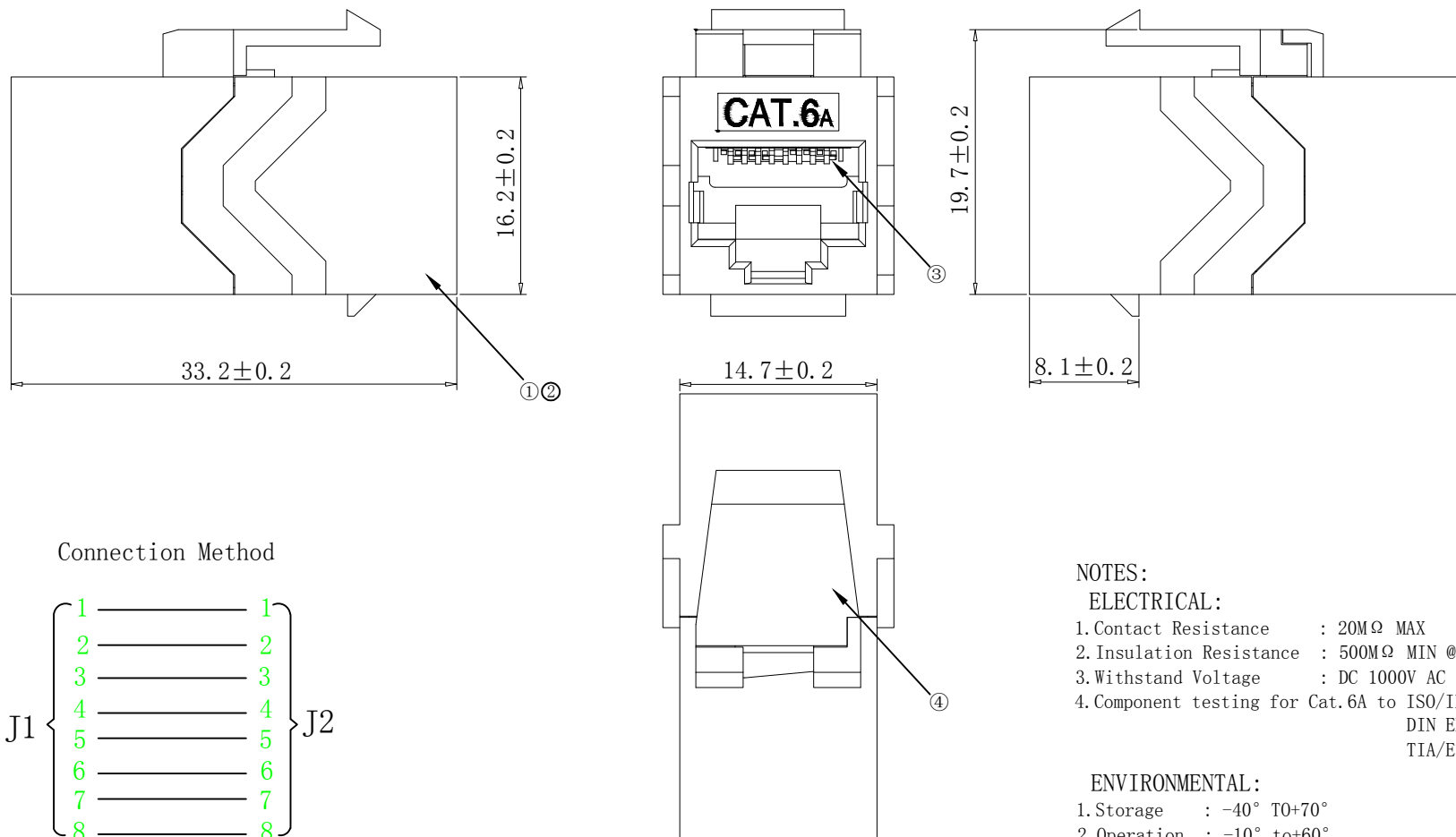


10pcs/Carton+Label 1

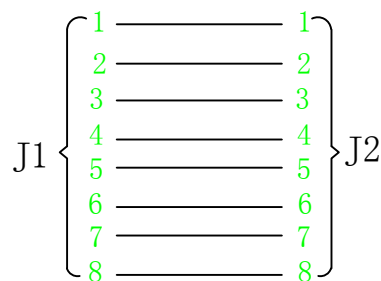
NOTE:

1. 1pcs/box+Label 1, 10pcs/Carton+Label 1
2. “工” type sealing
3. “井” type packaging

SYNERGY 21												
CUSTOMER						ITEM NO.		S216321				
UPDATE PACKING TYPE					2018-03-20	A4	PRODUCT NAME	Packing	manufacture country:	CHINA	UNIT	MM
NEW							DRAWNBY	CHECKBY	APPOBY	DATE		
BY	CHK	REVISION RECORD MODIFICATIONS			DATE	REV.	SYNERGY 21	SYNERGY 21	SYNERGY 21	2018-03-20		



Connection Method



NOTES:

ELECTRICAL:

- Contact Resistance : 20MΩ MAX
- Insulation Resistance : 500MΩ MIN @ 500V DC
- Withstand Voltage : DC 1000V AC 700V RMS 60Hz, 1MIN
- Component testing for Cat.6A to ISO/IEC 11801 Ed. 2.2:2011-06
DIN EN 50173-1:2011-09
TIA/EIA-568-C.2 (2009-08)

ENVIRONMENTAL:

- Storage : -40° TO+70°
- Operation : -10° to+60°

MECHANICAL

- RJ45 Contact Life: 750 Times Min
- Plug inforce:<30N

RoHS 2.0 and REACH Compliant

PACKING:1PCS/PE bag+1able1,10PCS/PE Bag+Lable 2, 50PCS/small box, xxPCS/CTN+LABLE 3

MATERIAL LIST:

④	Shrapnel	PC White	1	
③	Contact	8P8C Gold Plated	16	
②	Housing	Zinc Alloy	1	
①	PCB	FR-4, t=0.8	1	
NO	MAT. NAME	DESCRIPTION	QT' Y	REMARK

SYNERGY 21									
CUSTOMER		AN		ITEM NO.		S216317V3			
PRODUCT NAME		CAT. 6A STP RJ45 F/F Coupler Keystone jack Type Zinc Alloy Housing		manufacture country:		CHINA	UNIT	MM	
NEW		2019/09/03		A0		DRAWNBY		CHECKBY	
APPOBY		DATE		SYNERGY 21		SYNERGY 21		SYNERGY 21	
BY		CHK		REVISION RECORD MODIFICATIONS		DATE		REV.	
						SYNERGY 21		2019/09/03	