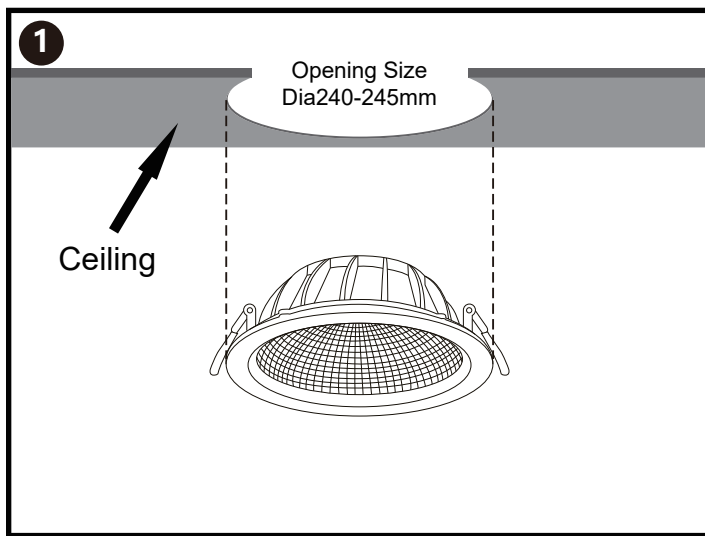


# INSTALLATION MANUAL

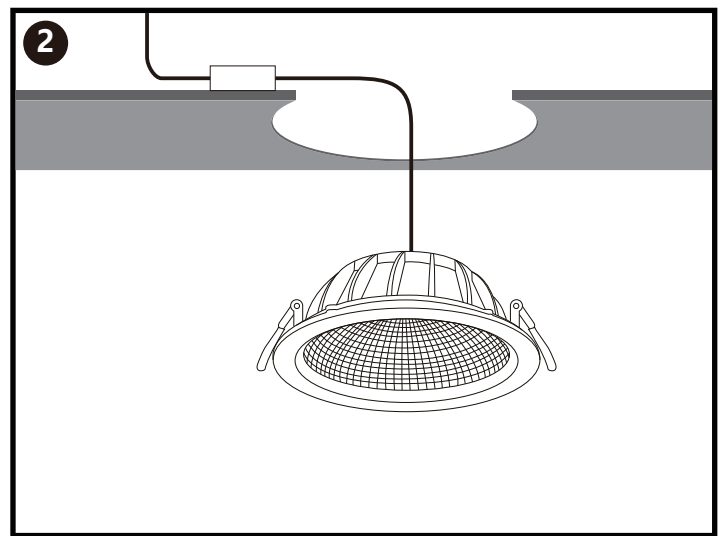
## Cautions

1. Please cut off the power before maintaining, installation; Cannot put on the power before lamp installed correctly on the front of lamp body.
2. Confirm the vent around the product is at least 75mm, using this light cannot against any legislation on fireproofing.
3. Do not install this kind of light fittings in fragile ceiling.
4. At any circumstance, this light can't be covered by adiabatic material, or other similar material.
5. If you have any questions, please consult to qualified engineers or electricians.

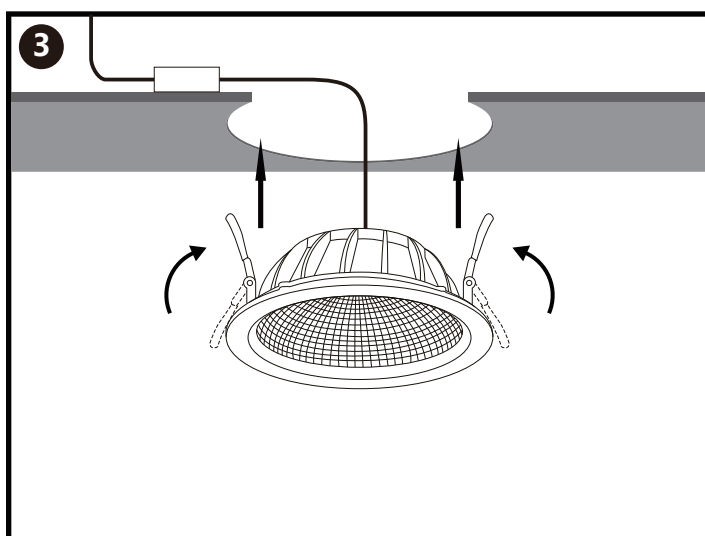
## Installation instruction



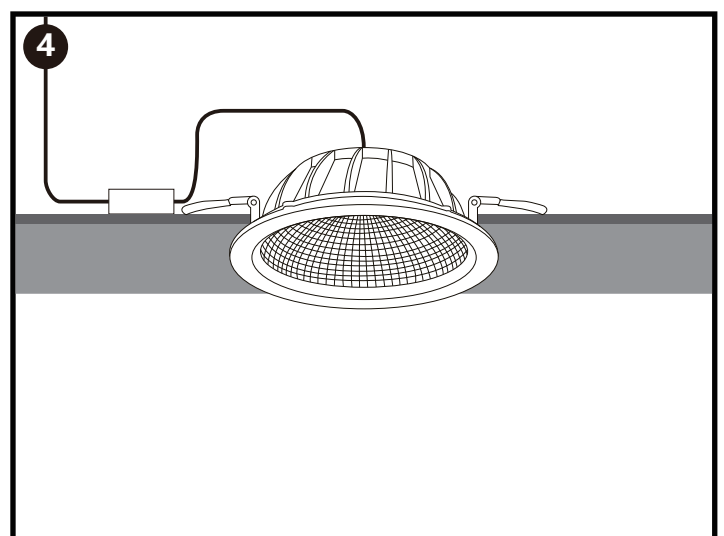
Prepare everything needed for installation & drill a hole with diameter 240-245mm in the ceiling.



Connect the input side to the LED driver.



Pressing the springs while putting the lamp body into mounting hole.



Confirm the installation is OK. Please switch on.