

NOTE:
RoHS 3.0 And Reach Compliant
1.0mm thickness Metallic Panel with plastic powder cladding

Accessory:
Screw and Nut M6*16mm * 4 set
Dust cap SC SX type * 24 pcs
Cable connector PG13.5*4pcs

SinglePack: 1pc/box+label; SubPack:
no; Carton +labelx2;

MATERIAL LIST:

⑤	Spool	ABS Plastic Material	2	
④	Inner Panel	1.0mm thickness Metallic Panel with plastic powder cladding	1	
③	Mounting	1.5mm thickness Metallic Panel with plastic powder cladding	2	
②	Upper Panel Cover	1.0mm thickness Metallic Panel with plastic powder cladding	1	
①	Outer Panel	1.0mm thickness Metallic Panel with plastic powder cladding	1	
NO.	PARTS NAME	SPECIFICATION DESCRIPTION	QT'Y	REMARK

ITEM NO.	Colour
S216299V3	Black RAL9005
S216298V3	Gray RAL7035

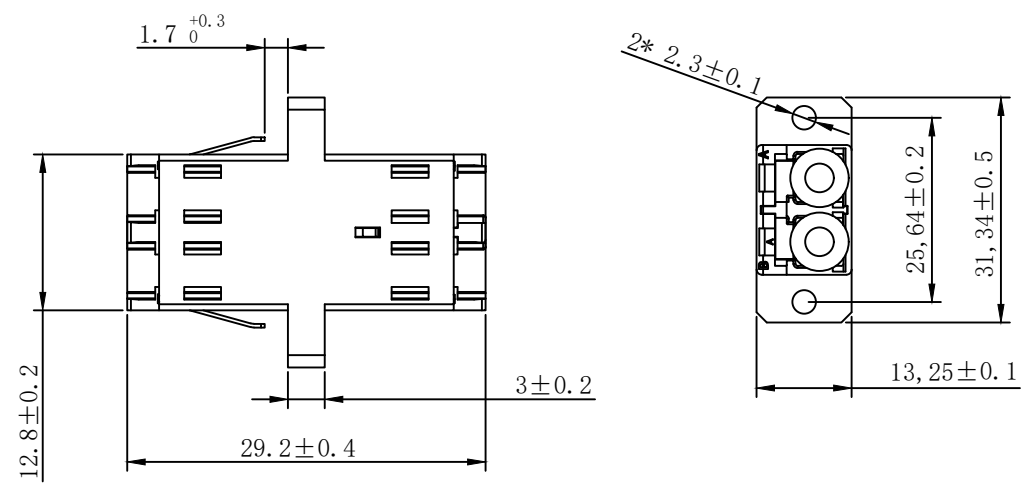
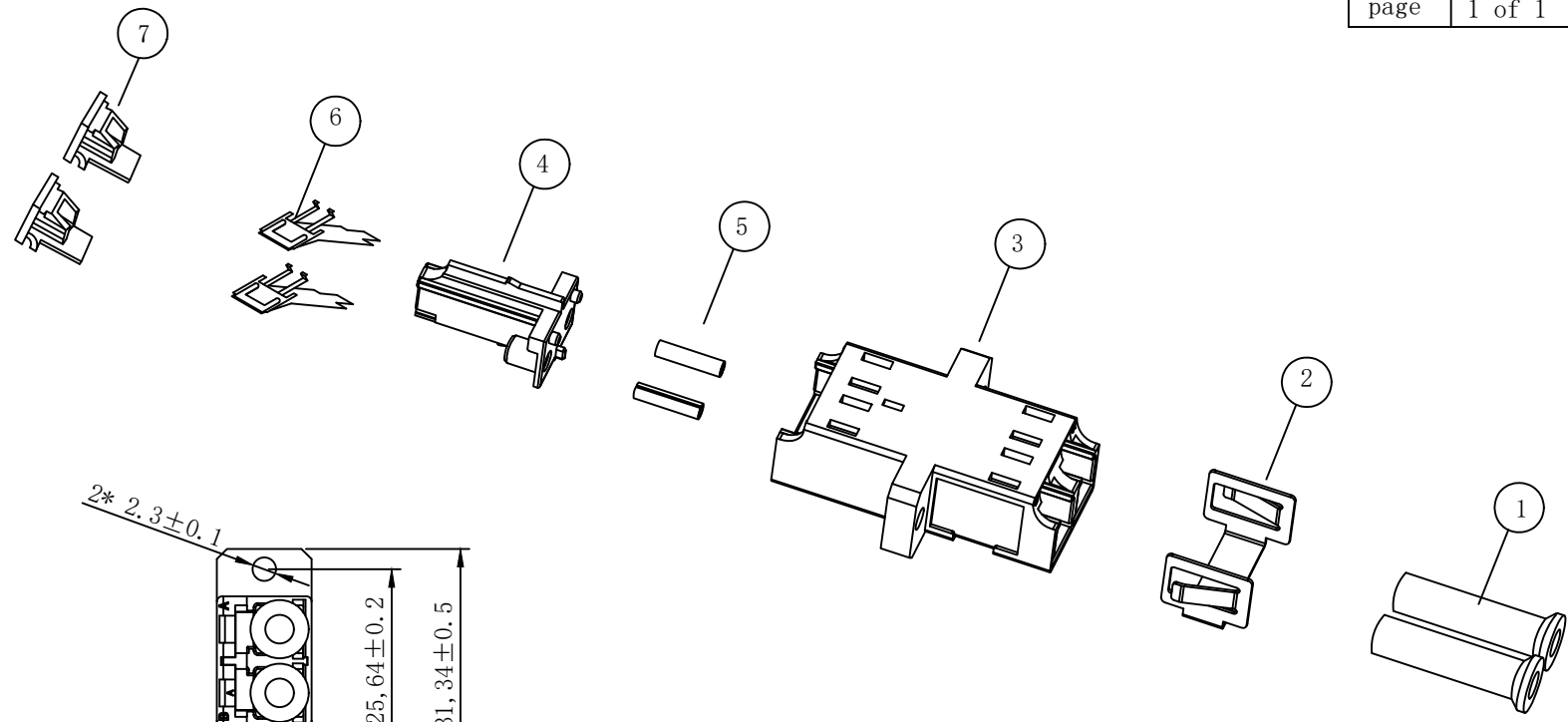
SYNERGY21

CUSTOMER		ITEM NO.		SEE THE CHART	
PRODUCT NAME		manufacture country:		CHINA	UNIT MM
NEW		2022-03-10	VO	DRAWNBY	CHECKBY
BY	CHK	REVISION RECORD MODIFICATIONS	DATE	REV.	DATE
				SYNERGY21	SYNERGY21
				SYNERGY21	2022-03-10

CUSTOMER		ITEM NO.		SEE THE CHART	
PRODUCT NAME		manufacture country:		CHINA	UNIT MM
NEW		2022-03-10	VO	DRAWNBY	CHECKBY
BY	CHK	REVISION RECORD MODIFICATIONS	DATE	REV.	DATE
				SYNERGY21	SYNERGY21
				SYNERGY21	2022-03-10

Chart:

ITEM NO.	COLOR
S215426V2	blue
S215592V2	green
S215424V2	Erika violet



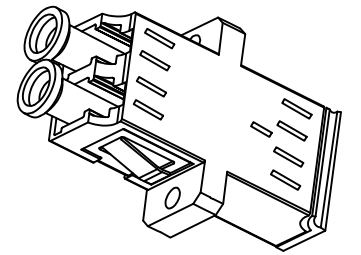
MATERIAL LIST:

⑦	LC White Dust Cap	2pcs	
⑥	Internal laser protection shutter stainless steel	2pcs	
⑤	LC Sleeve ceramic	2pcs	
④	bush COLOR:SEE THE CHART	1pc	
③	LC Body (SC simplex footprint) COLOR:SEE THE CHART	1pc	
②	LC Metal Mount	1pc	
①	LC White Dust Cap	2pcs	
NO.	SPECIFICATION STANDARD	QT' Y	REMARK
BY	CHK	NEW	2022-10-17 A
		REVISION RECORD MODIFICATIONS	DATE REV.

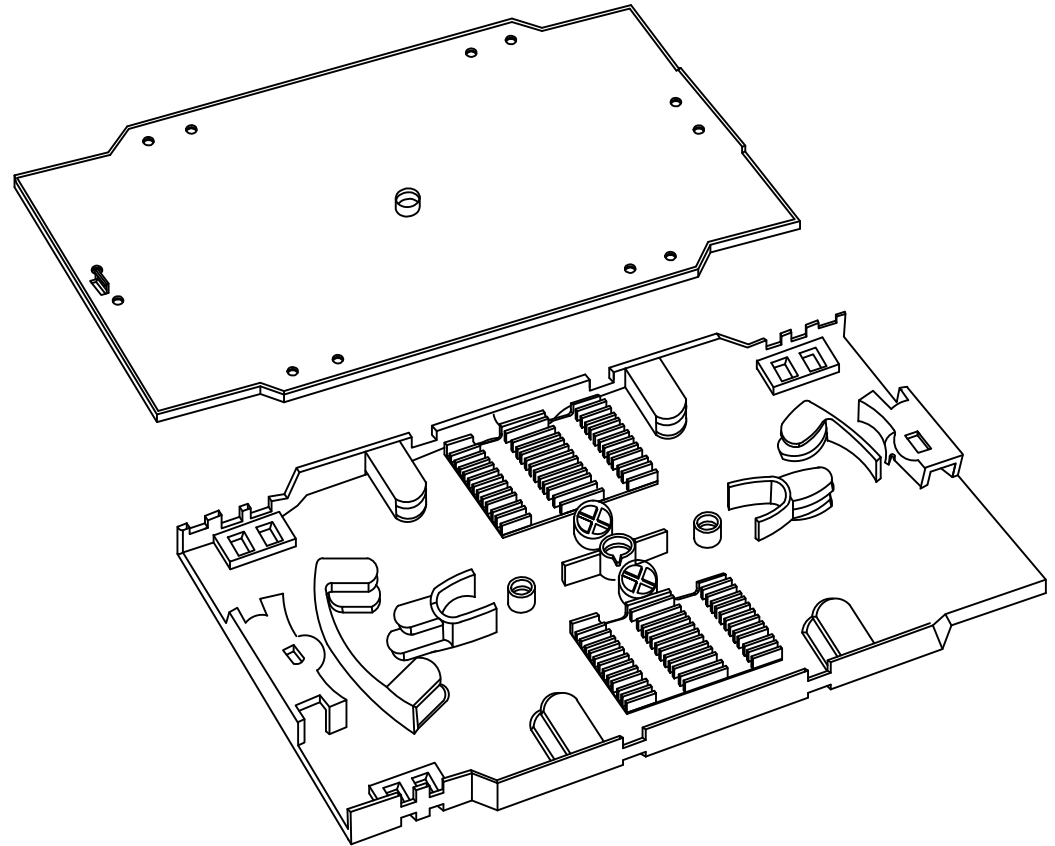
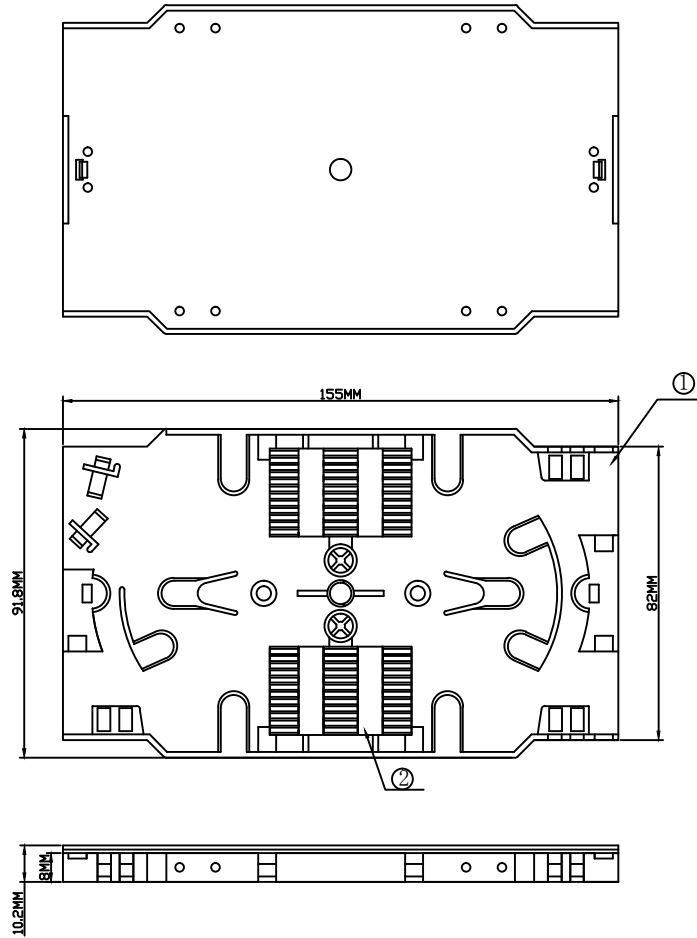
NOTE:
RoHS 3.0 & Reach COMPLIANT

Insertion Loss (dB)	≤0.20
Operating Temperature (° C)	-40 ~+85
Storage Temperature (° C)	-40 ~+85

Blister+Label+Test Report



SYNERGY21					
CUSTOMER		ITEM NO.	See the chart		
PRODUCT NAME	LC Duplex with flange Plastic Adapter with internal Laser Protection shutter	manufacture country:	CHINA	UNIT	MM
DRAWNBY	CHECKBY	APPOBY	DATE		
SYNERGY21	SYNERGY21	SYNERGY21	2022-10-17		



- with 2* 12 core splicing Holder ,black
 - Material:Plastic (Non fire retardant)
 - Color: beige
 - RoHS 2.0 and Reach Compliant
- Packing:1pcs/PE bag+label 1, 100pcs/innet carton+outer carton+label 3

MATERIAL LIST:

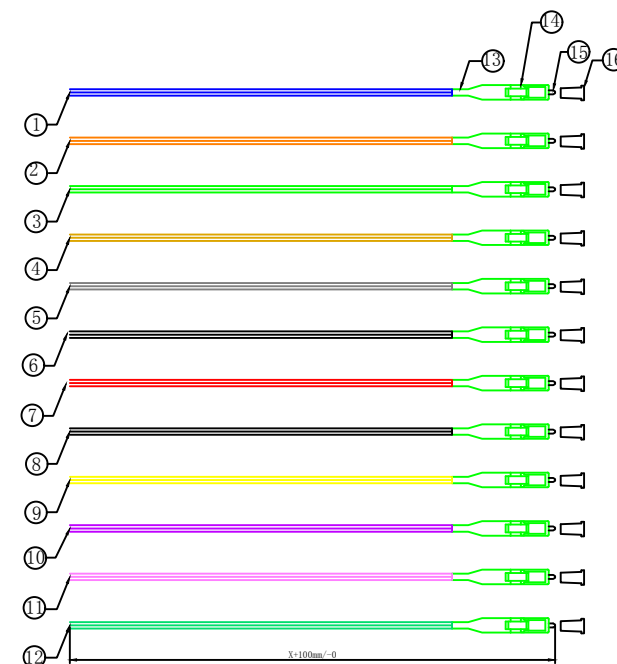
②	Splic Holder	ABS/Black	2		SYNERGY 21					
①	Splicing tray	24 cores splicing tray, ABS/Beige	1							
NO.	PARTS NAME	SPECIFICATION DESCRIPTION	QT' Y	REMARK	CUSTOMER	ITEM NO.	S215474			
					PRODUCT NAME	Splicing tray with 2pcs of 12core holders	manufacture country	CHINA	UNIT	MM
		NEW	2017. 04. 27	A	DRAWNBY	CHECKBY	APPOBY	DATE		
BY	CHK	REVISION RECORD MODIFICATIONS	DATE	REV.	SYNERGY 21	SYNERGY 21	SYNERGY 21	2017. 04. 27		

NOTE:

1. The primary coating and secondary coating have the same color
2. Loose buffered, easy strip type at least 1m
3. ROHS 2.0 (EU)/2015/863 and REACH compliant

MATERIAL LIST:

⑬	LC White Dust Cap	12	
⑮	LC/APC 8° SM Ferrule 125-126um	12	
⑭	LC SM Green 0.9 Connector	12	
⑬	LC 0.9 Green Boot	12	
⑫	Fiber Cable LOOSE TUBE SM 9/125 G657.A2 0.9mm TURQUOISE LSZH	Xm	
⑪	Fiber Cable LOOSE TUBE SM 9/125 G657.A2 0.9mm PINK LSZH	Xm	
⑩	Fiber Cable LOOSE TUBE SM 9/125 G657.A2 0.9mm VIOLET LSZH	Xm	
⑨	Fiber Cable LOOSE TUBE SM 9/125 G657.A2 0.9mm YELLOW LSZH	Xm	
⑧	Fiber Cable LOOSE TUBE SM 9/125 G657.A2 0.9mm BLACK LSZH	Xm	
⑦	Fiber Cable LOOSE TUBE SM 9/125 G657.A2 0.9mm RED LSZH	Xm	
⑥	Fiber Cable LOOSE TUBE SM 9/125 G657.A2 0.9mm WHITE LSZH	Xm	
⑤	Fiber Cable LOOSE TUBE SM 9/125 G657.A2 0.9mm GREY LSZH	Xm	
④	Fiber Cable LOOSE TUBE SM 9/125 G657.A2 0.9mm BROWN LSZH	Xm	
③	Fiber Cable LOOSE TUBE SM 9/125 G657.A2 0.9mm GREEN LSZH	Xm	
②	Fiber Cable LOOSE TUBE SM 9/125 G657.A2 0.9mm ORANGE LSZH	Xm	
①	Fiber Cable LOOSE TUBE SM 9/125 G657.A2 0.9mm BLUE LSZH	Xm	
NO.	SPECIFICATION STANDARD	QT' Y	REMARK



Type	Single-Mode
Insertion Loss	≤0.3dB (IEC 61300-3-4)
Return Loss	≥60dB (IEC 61300-3-6)
Test Wavelength	1310nm
Group Refractive Index	1.466@1310nm 1.467@1550nm


SYNERGY 21									
CUSTOMER						ITEM NO.	see the chart		
PRODUCT NAME	Pigtail LC/APC SM 9/125 μm 12 set coloured		manufacture country		CHINA	UNIT	MM		
DRAWNBY	CHECKBY		APPOBY		DATE				
SYNERGY 21	SYNERGY 21		SYNERGY 21		2021-12-06				

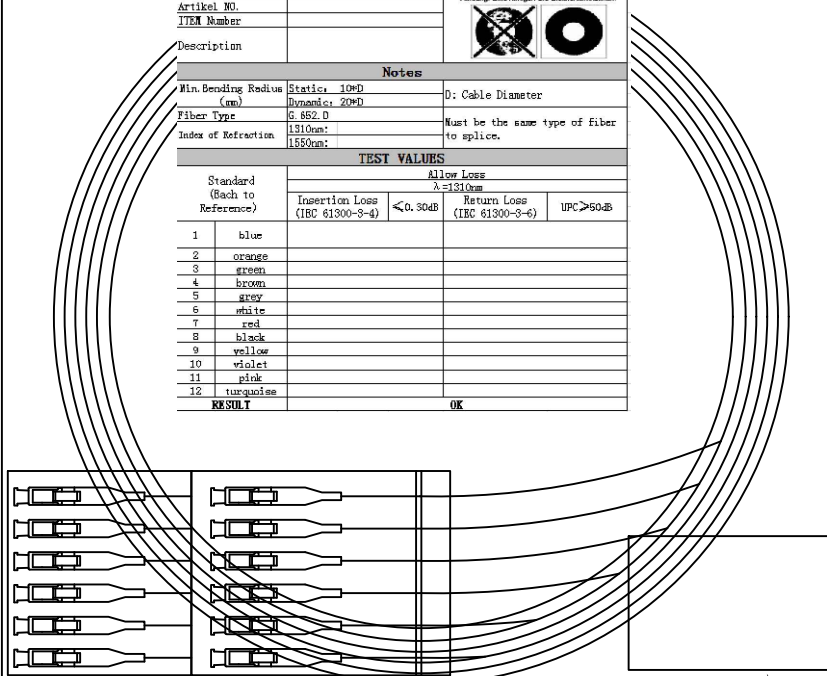
		NEW		2021-12-06	A
BY	CHK	REVISION RECORD MODIFICATIONS		DATE	REV.

Chart:

ITEM NO.	LENGTH.	Artikel NO.	PACKING
S215594V2	1.5M	127270	1pc/SYNERGY 21 A bag/test report+label

SYNERGY 21

TEST REPORT			
Batch No.		Attention: Please clean the fiber surfaces! Achtung: Bitte reinigen die Steckverbindungen!	
Artikel NO.			
ITEM Number			
Description			
Notes			
Min. Bending Radius (mm)	Static: 10* ϕ Dynamic: 20* ϕ	D: Cable Diameter	
Fiber Type	G 862-D	Must be the same type of fiber to splice.	
Index of Refraction	1310nm: 1550nm:		
TEST VALUES			
Standard (Back to Reference)	Allow Loss		
	$\lambda=1310nm$		
	Insertion Loss (IEC 61300-3-4)	$\leq 0.30dB$	Return Loss (IEC 61300-3-6) $UPC > 50dB$
1	blue		
2	orange		
3	green		
4	brown		
5	grey		
6	white		
7	red		
8	black		
9	yellow		
10	violet		
11	pink		
12	turquoise		
RESULT		OK	



Label

SYNERGY 21							
CUSTOMER					ITEM NO.	see the chart	
PRODUCT NAME	Pigtail LC/APC SM 9/125 μm 12 set coloured				manufacture country	CHINA	UNIT MM
	DATE	REV.	DRAWNBY	CHECKBY	APPOBY	DATE	
BY	CHK		SYNERGY 21	SYNERGY 21	SYNERGY 21	2021-12-06	

		NEW	2021-12-06	A			
		REVISION RECORD MODIFICATIONS	DATE	REV.			