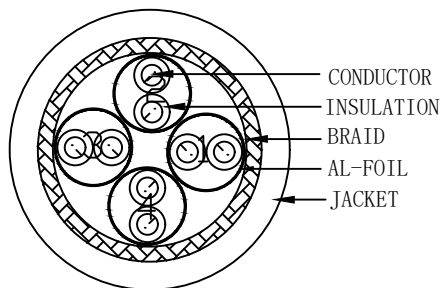
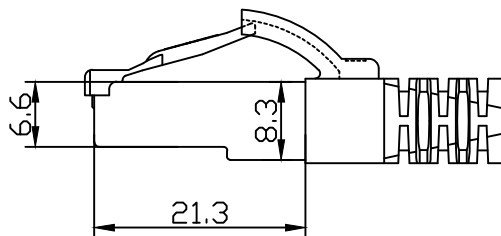
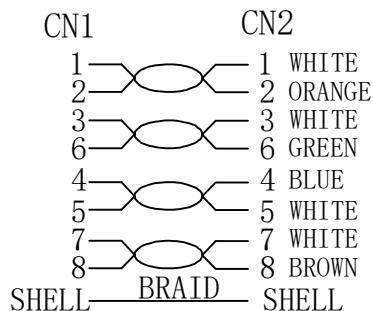


CAT6A S/FTP with 600MHz cat.7 raw cable 4x2x26AWG/7 TPE/LSZH ISO11801 & EN50173 & ANSI/TIA568C.2 www.Synergy21.de

11.68±0.1



WIRING DIAGRAM



NOTE:

1. ELECTRICAL TEST:100% OPEN SHORT, MISS WIRE TEST
2. FLUKE Channel LINK TEST:
TEST LIMIT:ISO11801 Channel Class EA
3. Working temperature:-10°C~+60°C
Storage temperature:-20°C~+75°C
4. ROHS 3.0 AND REACH compliant
5. Support PoE/PoE+/PoE++
6. Flame retardant (IEC60332-1-2)
Low smoke(IEC 61034)
Halogen free(IEC 60754-2)
7. Raw cable is Cat7 up to 600mhz
8. Packing: 1pc/synergy 21 bag+label

MATERIAL LIST

③	OVER MOLD	PVC	2	
②	CONNECTOR	CAT6A 500Mhz RJ45 8P8C Shielded Plug, Pin Gold Plated 3u" Shell Nickel plating COLOUR: Transparence Yellow	2	
①	CABLE	S/FTP CAT. 7 600Mhz 26AWG (BC*1P+AL-FOLL)*4P+BRAID (AL-MG) JACKET:Ultraflex TPE/LSZH OD:6.0±0.2mm	1	
NO.	PARTS NAME	SPECIFICATION STANDARD	QT' Y	REMARK
Hasia		change "ROSH 2.0" to "ROSH 3.0"		2022-02-25
		NEW		2021-7-15
BY	CHK	REVISION RECORD MODIFICATION		DATE

SYNERGY 21					
CUSTOMER		ITEM NO.			
PRODUCT NAME	CAT.7 S/FTP PATCH CORD	manufacture country:	CHINA	UNIT	MM
DRAWN BY	CHECK BY	APPO BY	DATE		
SYNERGY 21	SYNERGY 21	SYNERGY 21	2021-7-15		

COLOR:GREY (RAL 7035)	
ITEM NO.	LENGTH
S217600	150±5
S217601	250±10
S217602	500±15
S217603	1000±20
S217604	1500±30
S217605	2000±30
S217606	3000±50
S217607	5000±100
S217608	7500±200
S217609	10000±200
S217610	15000±300
S217611	20000±300
S217612	25000±300
S217613	30000±500

COLOR:BLACK (PANTONE BLACK 3C)	
ITEM NO.	LENGTH
S217614	150±5
S217615	250±10
S217616	500±15
S217617	1000±20
S217618	1500±30
S217619	2000±30
S217620	3000±50
S217621	5000±100
S217622	7500±200
S217623	10000±200
S217624	15000±300
S217625	20000±300
S217626	25000±300
S217627	30000±500

COLOR:WHITE (RAL 9003)	
ITEM NO.	LENGTH
S217628	150±5
S217629	250±10
S217630	500±15
S217631	1000±20
S217632	1500±30
S217633	2000±30
S217634	3000±50
S217635	5000±100
S217636	7500±200
S217637	10000±200
S217638	15000±300
S217639	20000±300
S217640	25000±300
S217641	30000±500

COLOR:BLUE (PANTONE 647C)	
ITEM NO.	LENGTH
S217642	150±5
S217643	250±10
S217644	500±15
S217645	1000±20
S217646	1500±30
S217647	2000±30
S217648	3000±50
S217649	5000±100
S217650	7500±200
S217651	10000±200
S217652	15000±300
S217653	20000±300
S217654	25000±300
S217655	30000±500

COLOR:RED (PANTONE 199C)	
ITEM NO.	LENGTH
S217712	150±5
S217713	250±10
S217714	500±15
S217715	1000±20
S217716	1500±30
S217717	2000±30
S217718	3000±50
S217719	5000±100
S217720	7500±200
S217721	10000±200
S217722	15000±300
S217723	20000±300
S217724	25000±300
S217725	30000±500

COLOR:YELLOW (PANTONE 135C)	
ITEM NO.	LENGTH
S217656	150±5
S217657	250±10
S217658	500±15
S217659	1000±20
S217660	1500±30
S217661	2000±30
S217662	3000±50
S217663	5000±100
S217664	7500±200
S217665	10000±200
S217666	15000±300
S217667	20000±300
S217668	25000±300
S217669	30000±500

COLOR:GREEN (PANTONE 3278C)	
ITEM NO.	LENGTH
S217670	150±5
S217671	250±10
S217672	500±15
S217673	1000±20
S217674	1500±30
S217675	2000±30
S217676	3000±50
S217677	5000±100
S217678	7500±200
S217679	10000±200
S217680	15000±300
S217681	20000±300
S217682	25000±300
S217683	30000±500

Color:Orange (Pantone 1575C)	
ITEM NO.	LENGTH
S217684	150±5
S217685	250±10
S217686	500±15
S217687	1000±20
S217688	1500±30
S217689	2000±30
S217690	3000±50
S217691	5000±100
S217692	7500±200
S217693	10000±200
S217694	15000±300
S217695	20000±300
S217696	25000±300
S217697	30000±500

Color:Magenta (Pantone 212C)	
ITEM NO.	LENGTH
S217698	150±5
S217699	250±10
S217700	500±15
S217701	1000±20
S217702	1500±30
S217703	2000±30
S217704	3000±50
S217705	5000±100
S217706	7500±200
S217707	10000±200
S217708	15000±300
S217709	20000±300
S217710	25000±300
S217711	30000±500

COLOR:purple (Pantone 2725C)	
ITEM NO.	LENGTH
S217760	150±5
S217761	250±10
S217762	500±15
S217763	1000±20
S217764	1500±30
S217765	2000±30
S217766	3000±50
S217767	5000±100
S217768	7500±200
S217769	10000±200
S217770	15000±300
S217771	20000±300
S217772	25000±300
S217773	30000±500

SYNERGY 21

CUSTOMER		ITEM NO.			
PRODUCT NAME	CAT.7 S/FTP PATCH CORD	manufacture country:	CHINA	UNIT	MM
DRAWN BY	CHECK BY	APPO BY	DATE		
SYNERGY 21	SYNERGY 21	SYNERGY 21	2021-7-15		

		NEW	2021-7-15	A
BY	CHK	REVISION RECORD MODIFICATION	DATE	REV.

COLOR:RED (PANTONE 199C)		
UNO ITEM NO.	ITEM NO.	LENGTH
F218313R, 01	S217712	150±5
F218313R, 22	S217713	250±10
F218313R, 50	S217714	500±15
F218313R, 11	S217715	1000±20
F218313R, 51	S217716	1500±30
F218313R, 02	S217717	2000±30
F218313R, 03	S217718	3000±50
F218313R, 05	S217719	5000±100
F218313R, 07	S217720	7500±200
F218313R, 00	S217721	10000±200
F218313R, 15	S217722	15000±300
F218313R, 20	S217723	20000±300
F218313R, 25	S217724	25000±300
F218313R, 30	S217725	30000±500

COLOR:purple (Pantone 2725C)		
UNO ITEM NO.	ITEM NO.	LENGTH
F218313P, 01	S217760	150±5
F218313P, 22	S217761	250±10
F218313P, 50	S217762	500±15
F218313P, 11	S217763	1000±20
F218313P, 51	S217764	1500±30
F218313P, 02	S217765	2000±30
F218313P, 03	S217766	3000±50
F218313P, 05	S217767	5000±100
F218313P, 07	S217768	7500±200
F218313P, 00	S217769	10000±200
F218313P, 15	S217770	15000±300
F218313P, 20	S217771	20000±300
F218313P, 25	S217772	25000±300
F218313P, 30	S217773	30000±500

SYNERGY 21

		CUSTOMER		AN	ITEM NO.		
		PRODUCT NAME		CAT. 7 S/FTP PATCH CORD		UNIT	MM
		NEW		2021-7-15	A	DATE	
BY	CHK	REVISION RECORD MODIFICATION		DATE	REV.	SYNERGY 21	SYNERGY 21
				SYNERGY 21	SYNERGY 21	SYNERGY 21	2021-7-15