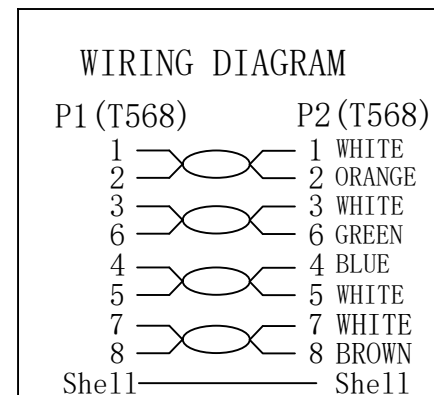


NOTE:

1. 100% OPEN SHORT, MISS WIRE TEST
2. Fluke channel test :
TEST LIMIT:ISO11801 Channel Class I(+ALL)
3. ROHS 3.0 AND REACH COMPLIANT
4. Support Support PoE ,POE+,POE++
5. Minimum of the bending radius is 60mm
6. Operating temperature:-20°C~+75°C
7. Halogen free(IEC 60754-2)



MATERIAL LIST

③	OVER MOLD	75A PVC	2	
②	CONNECTOR	RJ45 8P8C Shielded Plug, Pin Gold Plated 50U", The Shell plated nickel , Black	2	
①	CABLE	S/FTP CAT8.1 (AWG26 BC*1P+AL-FOIL)*4PAIRS+ BRAID+ JACKET:Ultra Super Flex TPE(70A) OD:6.2±0.2mm	1	
NO.	PARTS NAME	SPECIFICATION STANDARD	QT' Y	REMARK
Hasia		change "ROSH 2.0" to "ROSH 3.0"	2022-02-25	A1
		NEW	2021-01-23	A
BY	CHK	REVISION RECORD MODIFICATION	DATE	REV.

SYNERGY 21					
CUSTOMER		ITEM NO.	See The Chart		
PRODUCT NAME	CAT 8.1 S/FTP PATCH CORD 26AWG TPE	manufacture country:	CHINA	UNIT	MM
DRAWN BY	CHECK BY	APPO BY	DATE		
SYNERGY 21	SYNERGY 21	SYNERGY 21	2021-01-23		

Chart:

COLOR:BLACK PANTONE BLACK 3C	
ITEM	LENGTH/mm
S217410	150±5
S217411	250±10
S217412	500±15
S217413	1000±20
S217414	1500±30
S217415	2000±30
S217416	3000±50
S217417	5000±100
S217418	7500±200
S217419	10000±200

COLOR:WHITE RAL 9003	
ITEM	LENGTH/mm
S217420	150±5
S217421	250±10
S217422	500±15
S217423	1000±20
S217424	1500±30
S217425	2000±30
S217426	3000±50
S217427	5000±100
S217428	7500±200
S217429	10000±200

COLOR:GREY RAL 7035	
ITEM	LENGTH/mm
S217400	150±5
S217401	250±10
S217402	500±15
S217403	1000±20
S217404	1500±30
S217405	2000±30
S217406	3000±50
S217407	5000±100
S217408	7500±200
S217409	10000±200

COLOR:BLUE PANTONE 647C	
ITEM	LENGTH/mm
S217430	150±5
S217431	250±10
S217432	500±15
S217433	1000±20
S217434	1500±30
S217435	2000±30
S217436	3000±50
S217437	5000±100
S217438	7500±200
S217439	10000±200

COLOR:RED PANTONE 199C	
ITEM	LENGTH/mm
S217440	150±5
S217441	250±10
S217442	500±15
S217443	1000±20
S217444	1500±30
S217445	2000±30
S217446	3000±50
S217447	5000±100
S217448	7500±200
S217449	10000±200

COLOR:GREEN PANTONE 3278C	
ITEM	LENGTH/mm
S217450	150±5
S217451	250±10
S217452	500±15
S217453	1000±20
S217454	1500±30
S217455	2000±30
S217456	3000±50
S217457	5000±100
S217458	7500±200
S217459	10000±200

SYNERGY 21

					CUSTOMER		ITEM NO.	See The Chart		
					PRODUCT NAME	CAT 8.1 S/FTP PATCH CORD 26AWG TPE	manufacture country:	CHINA	UNIT	MM
			NEW	2021-01-23	A	DRAWNBY	CHECKBY	APPROVE	DATE	
BY	CHK	REVISION RECORD MODIFICATION			DATE	REV.	SYNERGY 21	SYNERGY 21	SYNERGY 21	2021-01-23