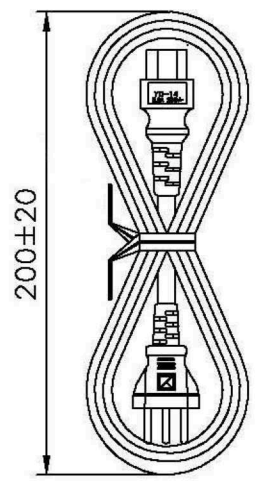
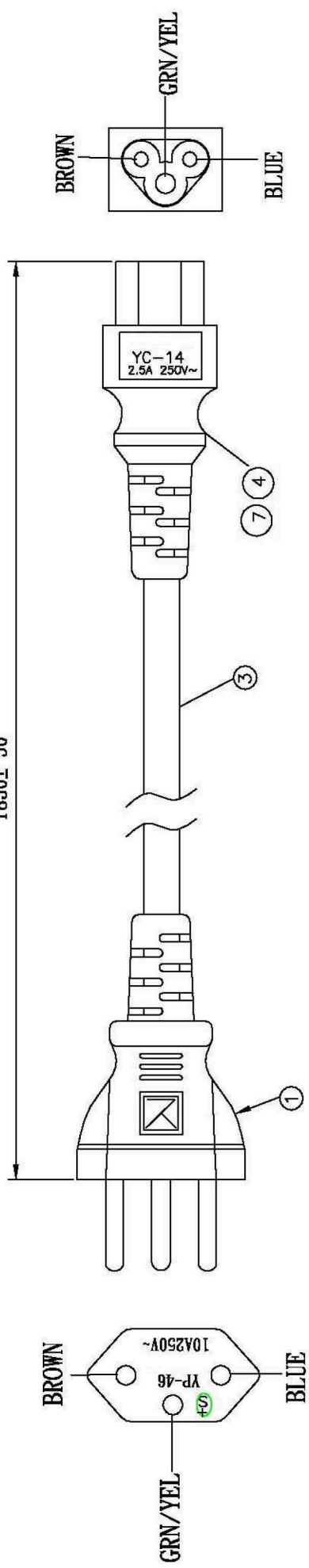
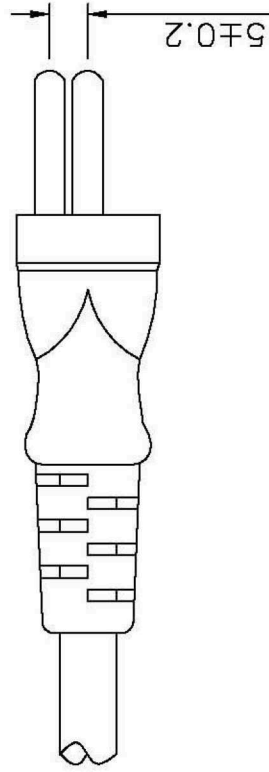
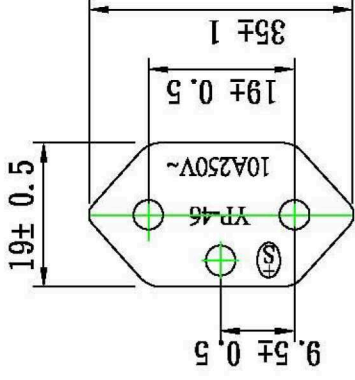
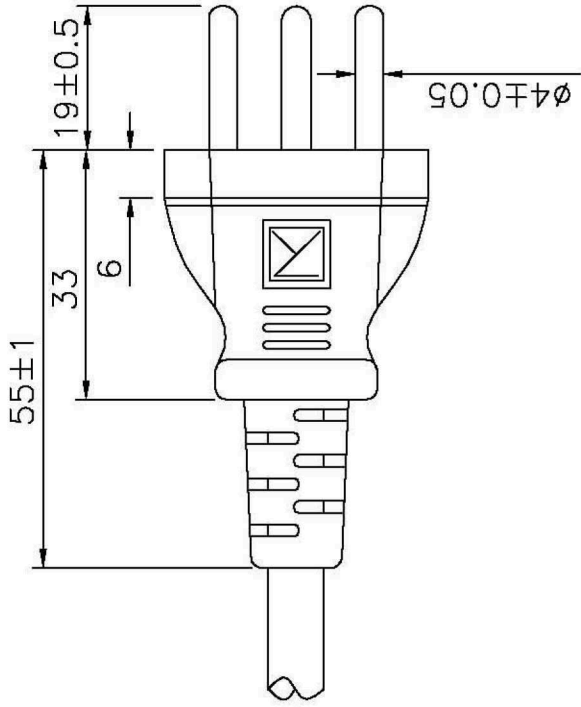


1830 ± 50

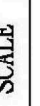
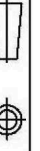


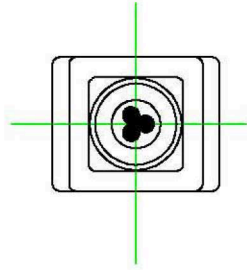
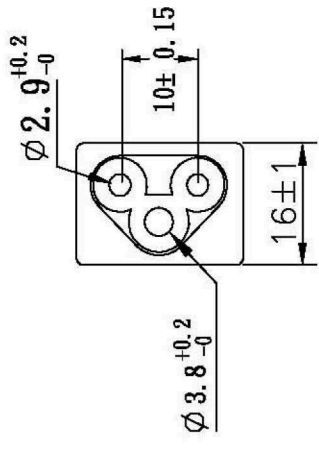
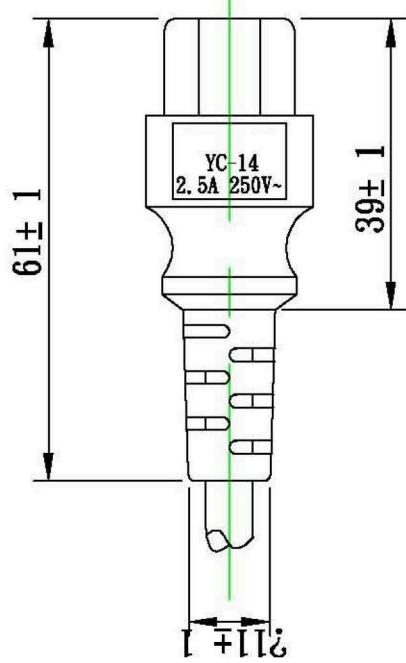
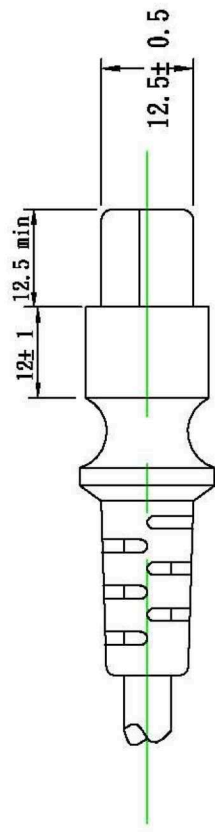
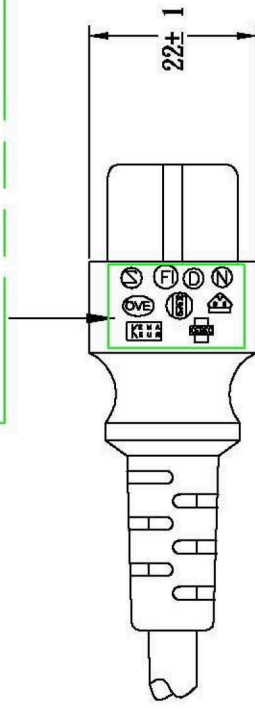
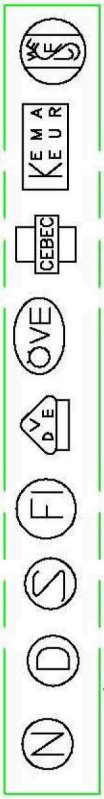
1	YP-46 45P	20g/PC	
2			
3	H05VV-F 0.75/3C	1PC	1800 ± 20
4	YC-14 45p	15g/PC	
5			
6			
7	YC-14	1PC	
8			

APPROVED	DATE		
CHECKED	DATE		
DRAWN	DATE		CUSTOMER
TYPE	EK495.1,8		
P/N	P/N		
DRAWING NO.	REV	B	SCALE
TOLERANCE	Angle: ±1°		
>0±0.30			
>1.0±0.50			
>10.0±1.0			
>20.0±2.0			
MATERIAL	P.V.C	UNIT	mm



TOLERANCE >0±0.30 >1.0±0.50 >10.0±1.0 >20.0±2.0 Angle: ±1°	APPROVED	DATE	
	CHECKED	DATE	
	DRAWN	DATE	
P/N	EK495.1,8		CUSTOMER
DRAWING NO.	REV	B	SCALE
			MATERIAL
			P. V. C
			UNIT
			mm





APPROVED	DATE		
CHECKED	DATE		
DRAWN	DATE		CUSTOMER
TYPE	EK495.1,8		P/N
P/N			MATERIAL
DRAWING NO.	REV	B	SCALE
			UNIT
			mm

TOLERANCE  
 >0±0.30  
 >1.0±0.50  
 >10.0±1.0  
 >20.0±2.0  
 Angle:  
 ±1°

## Cord Specification Table

STYLE	H05VV-F	
SIZE	0.75mm <sup>2</sup> X 3C	
1. STANDARD: IEC 227		
2. CERTIFICATION:		
3. CONSTRUCTION:		
A. CONDUCTOR:		
MATERIAL	SCR BARE COPPER	
SIZE	0.75mm <sup>2</sup> x 3c	
CONSTRUCTION	0.2 x 24	
COND. DIAMETER	0.75mm <sup>2</sup>	
B. INSULATION		
MATERIAL	P.V.C.	
AVG. THICK	0.55mm MIN	
MIN. THICK	0.45mm MIN	
DIAMETER	2.10mm	
COLOR	Black	
C. SHIELD		
ALUMINIUM FOIL MYLAR		
TINNED COPPER BRAID		
D. JACKET		
MATERIAL	P.V.C.	
AVG. THICK	0.85mm MIN	
MIN. THICK	0.65mm MIN	
DIAMETER		
COLOR	Black	

4. ELECTRICAL & PHYSICAL PROPERTIES :			
ITEM		H05VV-F, 0.75mm <sup>2</sup> x 3C	
RATING (TEMP VOLTAGE)		300/ 300 V	
CONDUCTOR RESISTANCE		MAX	
INSULATION RESISTANCE		MIN 5MΩ / 15.8°C	
SPARK TEST		6 kV/ 0.15 Sec. : no breakdown	
INSULATION	UNAGED	TENSILE STRENGTH	MIN. 1500 PSI
		ELONGATION	MIN. 100%
	AGED	TENSILE STRENGTH	MIN. 70%
		ELONGATION	MIN. 65%
JACKET	UNAGED	TENSILE STRENGTH	MIN.
		ELONGATION	MIN
	AGED	TENSILE STRENGTH	MIN
		ELONGATION	MIN
DEFORMATION TEST		MAX 50%	
COLD BEND		-20°C / 4hr: no breakdown	
HEAT SHOCK TEST		121°C / 1hr: no crack	
FLAME TEST		VW-1 PASS	
5. IDENTIFICATION :			