

Synergy 21 LED controller 5-channel amplifier *Milight/Miboxer*



The **5-Channel High Performance Amplifier** is the perfect solution for anyone who wants to amplify their LED lighting systems efficiently and powerfully. Developed for maximum performance and reliability, this amplifier enables a consistent and stable power supply for your LED luminaires.

This amplifier works with an **input voltage of DC12/24V** and provides an **output voltage of DC12/24V**, making it a versatile choice for various LED applications. With an **output current of 6A per channel** and a **maximum total output power of 15A**, the amplifier offers the necessary power to operate even demanding lighting projects without any problems.

The **switching frequency of 10Mbps** guarantees fast and efficient signal transmission, ensuring smooth and flicker-free lighting.

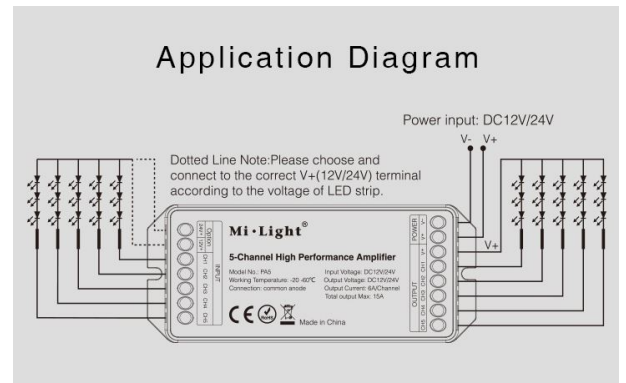
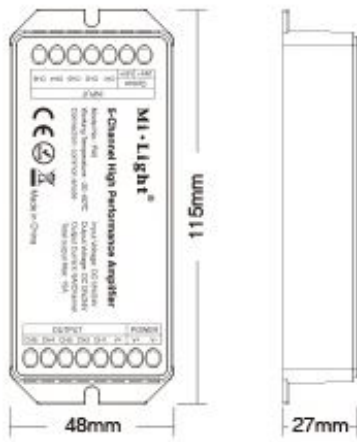
With a compact size of **115x48x27mm**, the **5-Channel High Performance Amplifier** can be easily integrated into your lighting installation without taking up much space. The robust design ensures a long service life and reliable performance in various applications, from residential spaces to professional lighting projects.

Use the **5-Channel High Performance Amplifier** to take your LED lighting to the next level. By amplifying the current and stabilising the voltage, this amplifier ensures constant and brilliant lighting that lets your rooms shine in perfect light.

Product Name: 5-Channel High Performance Amplifier
Model No.: PA5
Work Temperature: -20~60°C
Input Voltage: DC12/24V
Output Voltage: DC12/24V

Output Current: 6A/Channel
Total output Max: 15A
Switching Rate: 10Mbps
Connection: Common anode
Product Size: 115*48*27mm

Additional Images



Input port

- ① Input power supply cable port
- ② Input LED strips connecting port



Output port

- ① Output power supply cable port
- ② Output LED strips connecting port

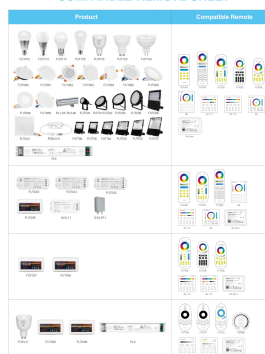


PC Housing

Adopt high-end PC housing with best quality



COMPATIBLE REMOTE SHEET



Accessories

Part No.	Name
148143	synergy 21 LED Controller RGB-WW (RGB-CCT) DC12/24V Strip/Panel 5in1*MiLight/Miboxer*
149145	Synergy 21 LED controller RGB DC12/24V *MiLight/Miboxer*
149146	Synergy 21 LED Controller RGB-W DC12/24V *MiLight/Miboxer*
149147	Synergy 21 LED Controller RGB-WW (RGB-CCT) DC12/24V *MiLight/Miboxer*
155626	Synergy 21 LED controller RGB-WW (RGB-CCT) DC12/24V 5in1*MiLight* Alexa series