

QNV-8020R

5M H.265 NW IR Dome Camera



Key Features

- Max. 5Megapixel (2592 x 1944) resolution
- 4mm fixed lens
- 0.15Lux (Color), 0Lux (B/W, IR LED on)
- Max. 30fps@5MP (H.265 / H.264)
- H.265, H.264, MJPEG codec support, Multiple streaming
- Day & Night, WDR (120dB)
- Tampering, Motion detection, Defocus detection
- Micro SD / SDHC / SDXC memory slot (Max. 128GB)
- Hallway view, WiseStream II support
- IR Viewable length 25m
- IP66, IK10, PoE

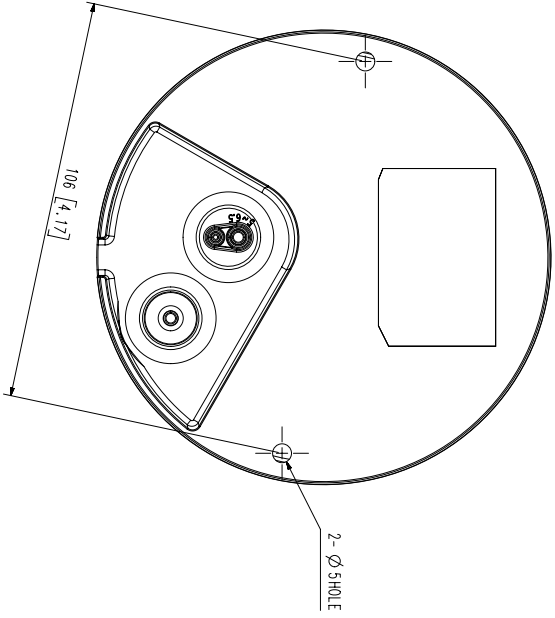
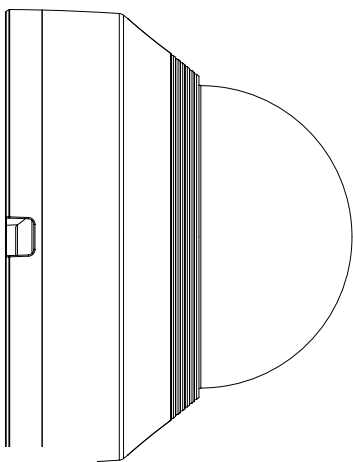
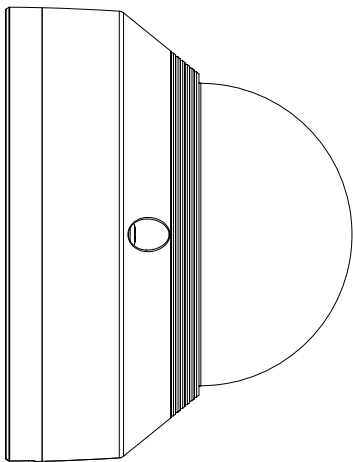
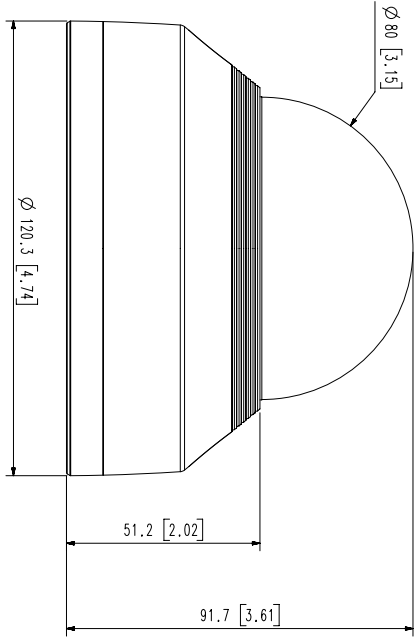
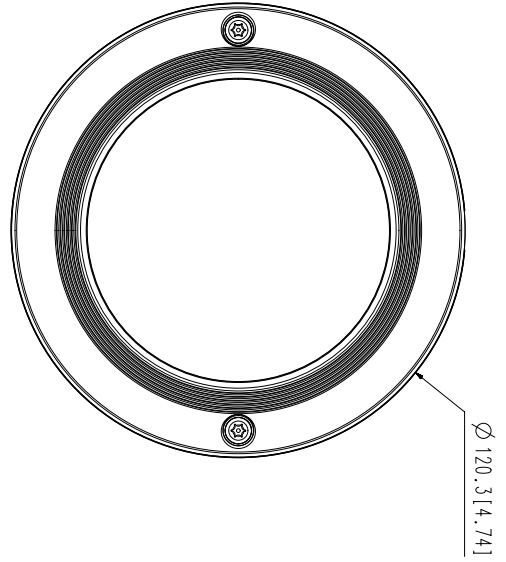
Accessories (Optional)



Video	
Imaging Device	1/2.8" 5MP CMOS
Effective Pixels	2592(H)x1944(V)
Min. Illumination	Color: 0.15Lux(F1.6, 1/30sec) BW: 0Lux(IR LED on)
Video Out	CVBS: 1.0 Vp-p / 75Ω composite, 720x480(N), 720x576(P) for installation
Lens	
Focal Length (Zoom Ratio)	4.0mm fixed focal
Max. Aperture Ratio	F1.6
Angular Field of View	H: 79.8° / V: 58.1° / D: 105.9°
Focus Control	Fixed
Pan / Tilt / Rotate	
Pan / Tilt / Rotate Range	0°~350° / 0°~67° / 0°~355°
Operational	
IR Viewable Length	25m(82.02ft)
Camera Title	Displayed up to 85 characters
Day & Night	Auto(ICR)
Backlight Compensation	BLC, WDR, SDR
Wide Dynamic Range	120dB
Digital Noise Reduction	SSNR
Motion Detection	4ea, polygonal zones
Privacy Masking	6ea, rectangular zones
Gain Control	Low / Middle / High
White Balance	ATW / AWC / Manual / Indoor / Outdoor
LDC	Support
Electronic Shutter Speed	Minimum / Maximum / Anti flicker (1/5~1/12,000sec)
Video Rotation	Flip, Mirror, Hallway view(90°/270°)
Analytics	Defocus detection, Directional detection, Motion detection, Enter/Exit, Tampering, Virtual line
Alarm I/O	Input 1ea / Output 1ea
Alarm Triggers	Analytics, Network disconnect, Alarm input
Alarm Events	File upload via FTP and e-mail Notification via e-mail SD/SDHC/SDXC or NAS recording at event triggers Alarm output
Network	
Ethernet	RJ-45(10/100BASE-T)
Video Compression	H.265/H.264: Main/High, MJPEG
Resolution	2592x1944, 1920x1080, 1280x960, 1280x720, 800x600, 800x448, 720x576, 720x480, 640x480, 640x360
Max. Framerate	H.265/H.264: Max. 30fps/25fps(60Hz/50Hz) MJPEG: Max. 15fps/12fps(60Hz/50Hz)
Smart Codec	WiseStream II

Bitrate Control	H.264/H.265: CBR or VBR MJPEG: VBR
Streaming	Unicast(6 users) / Multicast Multiple streaming(Up to 3 profiles)
Protocol	IPv4, IPv6, TCP/IP, UDP/IP, RTP(UDP), RTP(TCP), RTCP, RTSP, NTP, HTTP, HTTPS, SSL/TLS, DHCP, FTP, SMTP, ICMP, IGMP, SNMPv1/v2c/v3(MIB-2), ARP, DNS, DDNS, QoS, UPnP, Bonjour, LLDP
Security	HTTPS(SSL) Login Authentication Digest Login Authentication IP Address Filtering User access log 802.1X Authentication(EAP-TLS, EAP-LEAP)
Edge Storage	Micro SD/SDHC/SDXC 1slot 128GB
Application Programming Interface	ONVIF Profile S/G/T SUNAPI(HTTP API) Wisenet open platform
Web Viewer	Supported OS: Windows 7, 8.1, 10, Mac OS X 10.12, 10.13, 10.14 Recommended Browser: Google Chrome Supported Browser: MS Explore11, MS Edge, Mozilla Firefox(Window 64bit only), Apple Safari(Mac OS X only)
Memory	512MB RAM, 256MB Flash
Environmental	
Operating Temperature / Humidity	-30°C ~ +55°C(-22°F ~ +131°F) / Less than 90% RH * Start up should be done at above -20°C
Storage Temperature / Humidity	-30°C ~ +60°C(-22°F ~ +140°F) / Less than 90% RH
Certification	IP66, IK10
Electrical	
Input Voltage	PoE(IEEE802.3af, Class3)
Power Consumption	PoE: Max 7.20W, typical 5.40W
Mechanical	
Color / Material	White / Aluminum
RAL Code	RAL9003
Product dimensions / weight	Ø120.3x91.7mm(Ø4.74x3.61"), 510g(1.12 lb)
DORI	
Detect (25PPM/ 8PPF)	62.0m(203.39ft)
Observe (63PPM/ 19PPF)	24.8m(81.36ft)
Recognize (125PPM/ 38PPF)	12.4m(40.68ft)
Identify (250PPM/ 76PPF)	6.2m(20.34ft)

- The latest product information / specification can be found at hanwha-security.com
- Design and specifications are subject to change without notice.
- Wisenet is the proprietary brand of Hanwha Techwin, formerly known as Samsung Techwin.



QNV-6012R/6022R/6032R
 QNV-8010R/8020R/8030R
 UNIT : mm[inch]