

Network Server N1041

Intel® Celeron® J4125 Quad Core processor
Micro Firewall Appliance



Features :

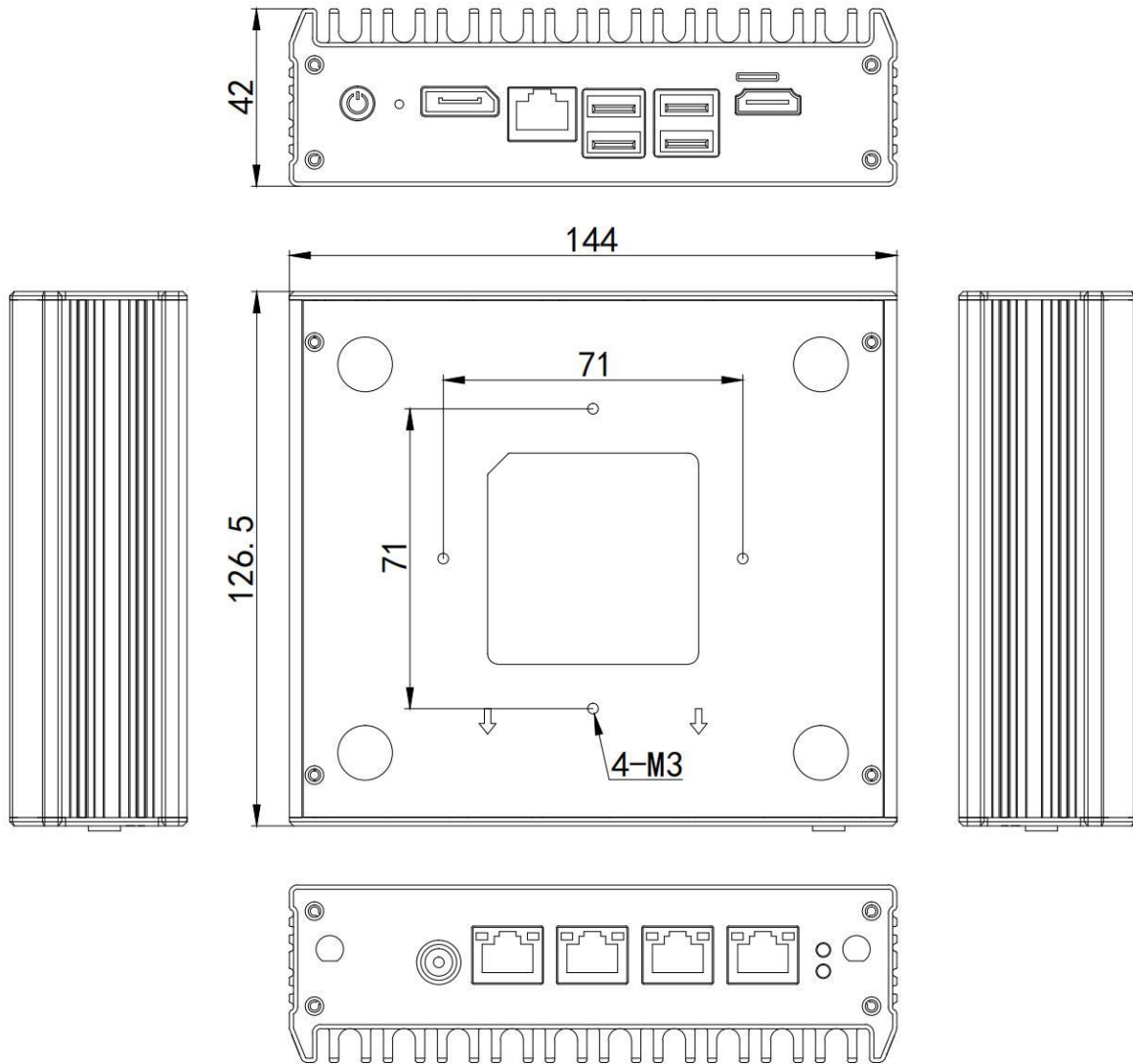
- ◇ All aluminum structure, fanless design ;
- ◇ Onboard Intel Celeron J4125 Quad Core processor ;
- ◇ Support 4*Intel i211-AT 1000M LAN ;
- ◇ Support 2*M.2 Slot, 1*Mini PCIE Slot ;
- ◇ 1*HDMI, 1*DP
- ◇ Support Desktop, Din Rail, VESA wall-mounted and other fixing methods ;
- ◇ Support OS :



Specification

Model	Nano N1041
Color	Titanium gray (Color can be customized)
Material	High-quality all aluminum, surface anodic oxidation
Processor	Onboard Intel Celeron J4125 (Quad core quad threading, 4MB Cache, 2.0GHz, pulse frequency 2.7GHz)
CPU Architecture	Gemini Lake Refresh
RAM	Support 1*DDR4 2400MHz SODIMM Memory Slot, Max. Support 8GB
BIOS	AMI UEFI BIOS
Display Chip	Integrated Intel HD Graphics 600
Display Port	1*HDMI, 1*DP (Support synchronous and asynchronous dual display, Max Resolution support 4096x2160 @ 60Hz)
Front I/O	1*Power Switch, 1*DP, 1*HDMI, 4*USB3.0, 1*SIM Slot 1*RJ45 COM (Support console), 1*Reset
Rear I/O	1*DC, 4*1000M LAN
Expansion Slot	Support 1*M.2 2280 M-key Slot (Support SATA Protocol) Support 1*M.2 2230 E-key Slot (Only support USB BT) Support 1*Mini PCIE Slot (4G Optional, External SIM slot: only support USB Wifi/BT)
Network	4*Intel i211-AT 10/100/1000M Ethernet LAN
Storage	1*M.2 2280SSlot, 1*2.5" HDD
Input Voltage	Support DC 12V Input
Other Function	Auto power on when there is electricity, Timing boot, Wake on LAN, PXE boot
Work Temp	0°C - +50°C (Commercial HDD), -20°C - +60°C (Industrial SSD), Surface air flow
Work Humidity	0% - 95% non-condensing
Certificates	CE、CCC、FCC Class A、ROHS
Dimension	144 * 126.5 * 42 mm
Net Weight	0.7 kg
Application	Firewall, VPN, Network Server, Network Security, Router and etc.

Network Server N1041 Drawing



Accessories List

Name	Quantity	Specification
Power Adapter	1	12V 4A/12V 5A
Power Cord	1	Optional (China, US, EU, UK etc.)
VESA Bracket	1	Standard

N1041

Power consumption(Do not do other operations after booting):7W

Full load power consumption:19W