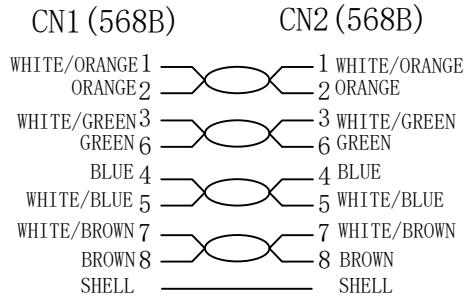


PIN OUT



NOTE:

1. Electrical test:

- (1). 100% open short & miss wire test;
- (2). Insulation resistance: DC 300V 3MΩ;
- (3). Contactor resistance: 15Ω;

2. RoHS 3.0 AND REACH COMPLIANT

3. PRINT WORD: F/UTP CAT. 5E 26AWG×4P PATCH ISO/IEC 11801 & EN 50173 VERIFIED **CE**

4. PACKING: SYNERGY 21 SLIP PE BAG+LABEL

MATERIAL LIST

| | | | | |
|-------|------------------|--|------------|--------|
| ⑥ | LABEL | NO DRY GLUE LABEL | 1 | |
| ⑤ | MINI TIE | PE MINI TIE (POSSESS METAL) | 2 | |
| ④ | POLYETHYLENE BAG | SYNERGY 21 SLIP PE BAG | 1 | |
| ③ | CABLE | F/UTP CAT. 5e 26AWG CCA*4pairs+MYLAR+DRAIN+AL-FOIL, CABLE JACKET: PVC OD=5.2±0.2mm | 1 | |
| ② | Over mold | 80A PVC, COLOR: SEE THE CHART | 2 | |
| ① | Plug | RJ45 8P8C'S SHIELDED THE SHELL PLATED NICKEL, PIN GOLD PLATED 3u" | 2 | |
| NO. | PARTS NAME | SPECIFICATION STANDARD | QT' Y | REMARK |
| Hasia | | change "ROSH 2.0" to "ROSH 3.0" | 2022-02-25 | A2 |
| | | ADD "CE" MARK IN THE PRINT, CHANGE OD 5.7MM TO 5.2MM | 2016-01-11 | A1 |
| | | NEW | 2016-01-07 | A |
| BY | CHK | REVISION RECORD MODIFICATIONS | DATE | REV. |

| | | | | | |
|-------------------|--------------------------|----------------------|------------|------------|---------------|
| SYNERGY 21 | | | | | |
| CUSTOMER NO. | | | | ITEM NO. | SEE THE CHART |
| PRODUCT NAME | CAT. 5e F/UTP PATCH CORD | manufacture country: | CHINA | UNIT | MM |
| DRAWNBY | | CHECKBY | | APPOBY | DATE |
| SYNERGY 21 | SYNERGY 21 | SYNERGY 21 | SYNERGY 21 | 2016-01-07 | |

CHART

| COLOR: BALCK (PANTONE BLACK 3C) | | |
|---------------------------------|-----------|------------------|
| ITEM NO. | LENGTH | PACKING |
| S215006 | 250±30 | SYNERGY 21 BAG A |
| S215013 | 500±30 | SYNERGY 21 BAG A |
| S215020 | 1000±30 | SYNERGY 21 BAG A |
| S215026 | 1500±50 | SYNERGY 21 BAG A |
| S215033 | 2000±50 | SYNERGY 21 BAG A |
| S215040 | 3000±70 | SYNERGY 21 BAG A |
| S215047 | 5000±70 | SYNERGY 21 BAG B |
| S215053 | 7500±150 | SYNERGY 21 BAG B |
| S215060 | 10000±150 | SYNERGY 21 BAG B |
| S215066 | 15000±200 | SYNERGY 21 BAG C |
| S215073 | 20000±300 | SYNERGY 21 BAG C |
| S215079 | 25000+300 | SYNERGY 21 BAG C |
| S215085 | 30000±300 | SYNERGY 21 BAG D |

| COLOR: RED (PANTONE 199C) | | |
|----------------------------|-----------|------------------|
| ITEM NO. | LENGTH | PACKING |
| S215005 | 250±30 | SYNERGY 21 BAG A |
| S215012 | 500±30 | SYNERGY 21 BAG A |
| S215019 | 1000±30 | SYNERGY 21 BAG A |
| S215025 | 1500±50 | SYNERGY 21 BAG A |
| S215032 | 2000±50 | SYNERGY 21 BAG A |
| S215039 | 3000±70 | SYNERGY 21 BAG A |
| S215046 | 5000±70 | SYNERGY 21 BAG B |
| S215052 | 7500±150 | SYNERGY 21 BAG B |
| S215059 | 10000±150 | SYNERGY 21 BAG B |
| S215065 | 15000±200 | SYNERGY 21 BAG C |
| S215072 | 20000±300 | SYNERGY 21 BAG C |
| S215078 | 25000+300 | SYNERGY 21 BAG C |
| S215084 | 30000±300 | SYNERGY 21 BAG D |

| COLOR: YELLOW (PANTONE 135C) | | |
|-------------------------------|-----------|------------------|
| ITEM NO. | LENGTH | PACKING |
| S215002 | 250±30 | SYNERGY 21 BAG A |
| S215009 | 500±30 | SYNERGY 21 BAG A |
| S215016 | 1000±30 | SYNERGY 21 BAG A |
| S215022 | 1500±30 | SYNERGY 21 BAG A |
| S215029 | 2000±30 | SYNERGY 21 BAG A |
| S215036 | 3000±70 | SYNERGY 21 BAG A |
| S215036 | 5000±70 | SYNERGY 21 BAG B |
| S215049 | 7500±150 | SYNERGY 21 BAG B |
| S215056 | 10000±150 | SYNERGY 21 BAG B |
| S215062 | 15000±200 | SYNERGY 21 BAG C |
| S215069 | 20000±300 | SYNERGY 21 BAG C |
| S215075 | 25000+300 | SYNERGY 21 BAG C |
| S215081 | 30000±300 | SYNERGY 21 BAG D |

| COLOR: GREEN (PANTONE 3278C) | | |
|-------------------------------|-----------|------------------|
| ITEM NO. | LENGTH | PACKING |
| S215004 | 250±30 | SYNERGY 21 BAG A |
| S215011 | 500±30 | SYNERGY 21 BAG A |
| S215018 | 1000±30 | SYNERGY 21 BAG A |
| S215024 | 1500±50 | SYNERGY 21 BAG A |
| S215031 | 2000±50 | SYNERGY 21 BAG A |
| S215038 | 3000±70 | SYNERGY 21 BAG A |
| S215045 | 5000±70 | SYNERGY 21 BAG B |
| S215051 | 7500±150 | SYNERGY 21 BAG B |
| S215058 | 10000±150 | SYNERGY 21 BAG B |
| S215064 | 15000±200 | SYNERGY 21 BAG C |
| S215071 | 20000+300 | SYNERGY 21 BAG C |
| S215077 | 25000+300 | SYNERGY 21 BAG C |
| S215083 | 30000±300 | SYNERGY 21 BAG D |

| COLOR: BLUE (PANTONE 7462C) | | |
|------------------------------|-----------|------------------|
| ITEM NO. | LENGTH | PACKING |
| S215001 | 250±30 | SYNERGY 21 BAG A |
| S215007 | 500±30 | SYNERGY 21 BAG A |
| S215014 | 1000±30 | SYNERGY 21 BAG A |
| S215021 | 1500±50 | SYNERGY 21 BAG A |
| S215027 | 2000±50 | SYNERGY 21 BAG A |
| S215034 | 3000±70 | SYNERGY 21 BAG A |
| S215041 | 5000±70 | SYNERGY 21 BAG B |
| S215048 | 7500±150 | SYNERGY 21 BAG B |
| S215054 | 10000±150 | SYNERGY 21 BAG B |
| S215061 | 15000±200 | SYNERGY 21 BAG C |
| S215067 | 20000+300 | SYNERGY 21 BAG C |
| S215074 | 25000+300 | SYNERGY 21 BAG C |
| S215080 | 30000±300 | SYNERGY 21 BAG D |

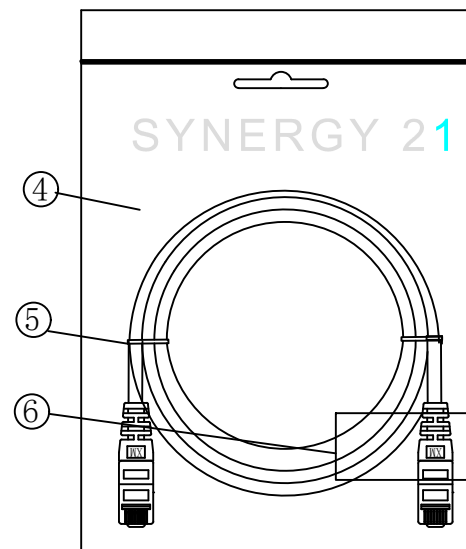
SYNERGY 21

| | | | | | | |
|--------------|--------------------------|----------------------|----------|------|---------------|--|
| CUSTOMER NO. | | | ITEM NO. | | SEE THE CHART | |
| PRODUCT NAME | CAT. 5e F/UTP PATCH CORD | manufacture country: | CHINA | UNTT | MM | |

| | | | | | | | | |
|----|-----|-------------------------------|------------|------|------------|------------|------------|------------|
| | | NEW | 2016-01-07 | A | DRAWNBY | CHECKBY | APPOBY | DATE |
| BY | CHK | REVISION RECORD MODIFICATIONS | DATE | REV. | SYNERGY 21 | SYNERGY 21 | SYNERGY 21 | 2016-01-07 |

CHART

| COLOR: GREY (PANTONE 421C) | | |
|-----------------------------|-----------|------------------|
| ITEM NO. | LENGTH | PACKING |
| S215003 | 250±30 | SYNERGY 21 BAG A |
| S215010 | 500±30 | SYNERGY 21 BAG A |
| S215017 | 1000±30 | SYNERGY 21 BAG A |
| S215023 | 1500±50 | SYNERGY 21 BAG A |
| S215030 | 2000±50 | SYNERGY 21 BAG A |
| S215037 | 3000±70 | SYNERGY 21 BAG A |
| S215044 | 5000±70 | SYNERGY 21 BAG B |
| S215050 | 7500±150 | SYNERGY 21 BAG B |
| S215057 | 10000±150 | SYNERGY 21 BAG B |
| S215063 | 15000±200 | SYNERGY 21 BAG C |
| S215070 | 20000±300 | SYNERGY 21 BAG C |
| S215076 | 25000±300 | SYNERGY 21 BAG C |
| S215082 | 30000±300 | SYNERGY 21 BAG D |
| S215196 | 40000±400 | SYNERGY 21 BAG D |
| S215197 | 50000±400 | SYNERGY 21 BAG D |



| SYNERGY 21 | | | | | |
|--------------|--------------------------|----------------------|------------|------------|---------------|
| CUSTOMER NO. | | | | ITEM NO. | SEE THE CHART |
| PRODUCT NAME | CAT. 5e F/UTP PATCH CORD | manufacture country: | | CHINA | UNIT MM |
| | | DRAWNBY | CHECKBY | APPOBY | DATE |
| BY | CHK | SYNERGY 21 | SYNERGY 21 | SYNERGY 21 | 2016-01-07 |

| | | | | |
|--|--|-------------------------------|------------|------|
| | | NEW | 2016-01-07 | A |
| | | REVISION RECORD MODIFICATIONS | DATE | REV. |