

2-Port 4K DisplayPort USB-C KVM Switch with Power Pass-through | Duo Flex (8K, USB 3.2 / 4.0, Thunderbolt 4 Compatible)

US3311

Built to deliver easy control and seamless switching between dual USB-C hosts, the US3311 is a 2-in-1 solution combining a KVM switch and a multiport dock with 4 x USB Type-A ports, 1 x DisplayPort, 1 x USB-C PD input, and 1 x DC jack input. Quick switching from one laptop to the other is made easy through one press of the dedicated port switch button, enabling use of the same USB peripherals and a single DisplayPort monitor for two host devices. Work efficiency is boosted without the need to switch workstations or unplug peripherals.

Other highlights include video resolution support for up to 8K 7680 x 4320, 4K 3840 x 2160 @ 144 / 120 / 60 Hz*, ensuring that every video detail is displayed in crisp UHD quality. The US3311 is a 4-port USB 3.2 Gen 1 Type-A hub with up to 5 Gbps data transfer rates while supporting high-speed downstream devices. Furthermore, the Power Delivery 3.0 technology enables charging of the host device with up to 100 W, allowing your laptop to obtain the maximum power via your USB-C power adapter. The US3311 helps save valuable desk space and expands the functionality and connectivity of your Mac laptops, creating an ultra-powerful USB-C workstation.

Note: Please make sure your host device and its accessories meet the Thunderbolt 4 or USB 4.0, with DP 1.4 specifications to deliver up to 4K @ 144 / 120 Hz and 8K resolutions. The USB bandwidth may be limited to USB 2.0 when the video output resolution is over 4K @ 60 Hz.

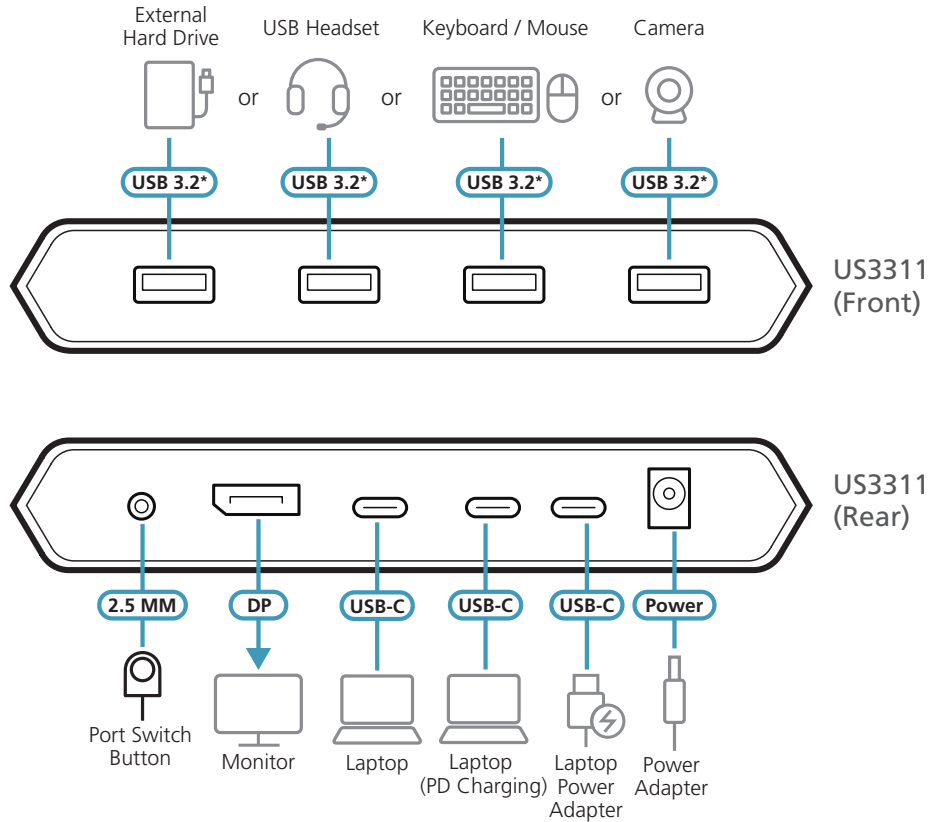


Front View



Rear View





*The indicated ports are USB 3.2 Gen 1 compliant.

Features

- 2-in-1 solution for 2 USB-C host devices – combines a KVM switch and a multiport dock with 4 x USB 3.2 Gen 1 Type-A ports, 1 x DisplayPort, 1 x USB-C PD input, and 1 x DC jack input
- Supports DP 1.4 Alt Mode
- Superior video quality – up to 8K 7680 x 4320, 4K 3840 x 2160 @ 144 / 120 / 60 Hz*
- ATEN's Video DynaSync™ technology - always optimizes display settings
- USB 3.2 Gen 1 compliant
- Up to 5 Gbps data transfer rates
- Supports PD 3.0 up to 100 W USB PD charging - allows your laptop to obtain the maximum power via your USB-C power adapter
- Host devices can be selected with the included port switch button or the hotkeys set via ATEN KVM Utility app
- Plug-and-Play – no drivers needed

Note: Please make sure your host device and its accessories meet the Thunderbolt 4 or USB 4.0, with DP 1.4 specifications to deliver up to 4K @ 144 / 120 Hz and 8K resolutions. The USB bandwidth may be limited to USB 2.0 when the video output resolution is over 4K @ 60 Hz.

Specifications

US3311	
Computer Connections	2
Connectors	
Computer	CPU 1: 1 x USB-C Female CPU 2: 1 x USB-C Female
Device	4 x USB 3.2 Gen 1 Type-A Female
Video Output	1 x DisplayPort Female
Power	1 x DC jack for 12V, 3.3A 1 x USB-C Female* Port 1: Supports USB-C PD laptop charging at 5V, 9V, 15V, 20V output Port 2: Supports max. 5V, 3A output *Supports maximum 100 W USB-C PD power adapter input.
Port Selection	
Input	Port Switch Button
Video Resolution	3840 x 2160 @ 60 Hz 3840 x 2160 @ 120 Hz 3840 x 2160 @ 144 Hz 7680 x 4320 Note: Please make sure your host device and its accessories meet the Thunderbolt 4 or USB 4.0, with DP 1.4 specifications to deliver up to 4K @ 144 / 120 Hz and 8K resolutions. The USB bandwidth may be limited to USB 2.0 when the video output resolution is over 4K @ 60 Hz.
System Requirements	<ul style="list-style-type: none"> • Windows 10 and above, USB-C enabled computer with DP Alt Mode* * With Intel 7th-Generation Core Processor (Kaby-Lake) and above. More info about CPU generation, please visit: https://www.intel.com/content/www/us/en/processors/processor-numbers.html • macOS X 10.12 and later, USB-C enabled computer • Android 8.0 and later, USB-C enabled smartphone with DP Alt Mode* * Only Samsung and Huawei support PC-like operation. Others only support mirror mode. For the list of supporting mobile device, please refer to US3311's user manual • iPadOS 13.1 and later, iPad Pro (USB-C)* * Supports video output in mirror mode • iOS 17.1 and later* * Compatible with the Apple iPhone 15 Pro series
Power	
Maximum Input Power Rating	DC12 V, 3.3 A
Power Consumption	DC12V:1.68W
LEDs	
Selected	2 (White)
Environmental	
Operating Temperature	0 - 40°C
Storage Temperature	-20 - 60°C
Humidity	0 - 80% RH, Non-condensing
Physical Properties	
Housing	Aluminum
Weight	0.35 kg
Dimensions (L x W x H)	14.3 x 11.9 x 2.38 cm

ATEN International Co., Ltd.

3F, No.125, Sec. 2, Datung Rd., Sijhih District., New Taipei City 221, Taiwan
 Phone: 886-2-8692-6789 Fax: 886-2-8692-6767
 www.aten.com E-mail: marketing@aten.com

Product information is subject to change without prior notice.

Released: 03/2024 V5.0

© Copyright 2024 ATEN® International Co. Ltd.
 ATEN and the ATEN logo are registered trademarks of ATEN International Co., Ltd.
 All rights reserved. All other trademarks are the property of their respective owners.

