

CE
 NB 0598
 Allnet Computersysteme GmbH
 Maistr.2 D-82110 Germering Germany
 19
 20190729_001
 EN50575 2014+A1:2016
 FTTH Optical Fiber Cable 4FO
 Supply of data transmission in buildings and other civil engineering works with the objective of limiting the generation and spread of fire and smoke
 Reaction to Fire: Eca
 Dangerous substances: none

Tension (Short Term)	120N, no change in attenuation after the test, no sheath damage
Tension (Long Term)	60N, no change in attenuation
Crush (Short Term)	500N/100mm, no fiber breakage, no sheath damage
Crush (Long Term)	100N/100mm, no change in attenuation

ITEM NO.	LENGTH	FIBER	Color
S215577.20m	20M	G657.A2	White
S215577.40m	40M	G657.A2	White
S215577.60m	60M	G657.A2	White

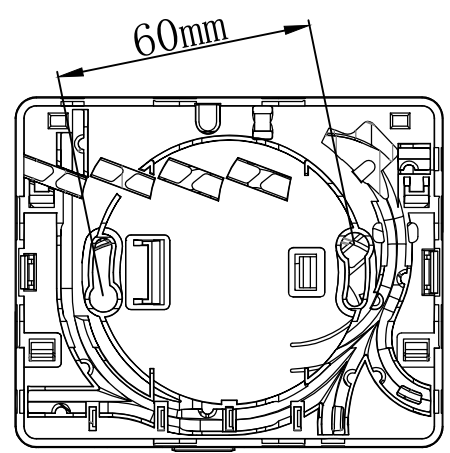
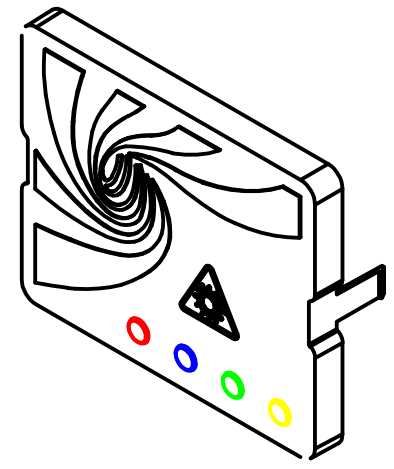
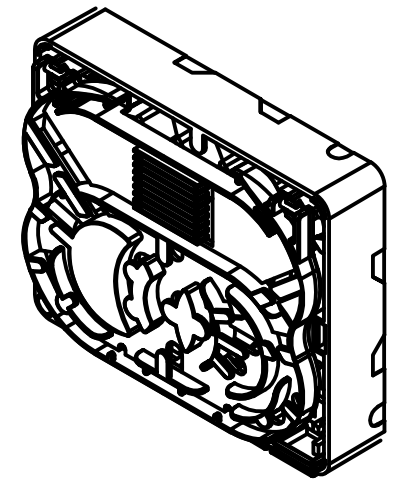
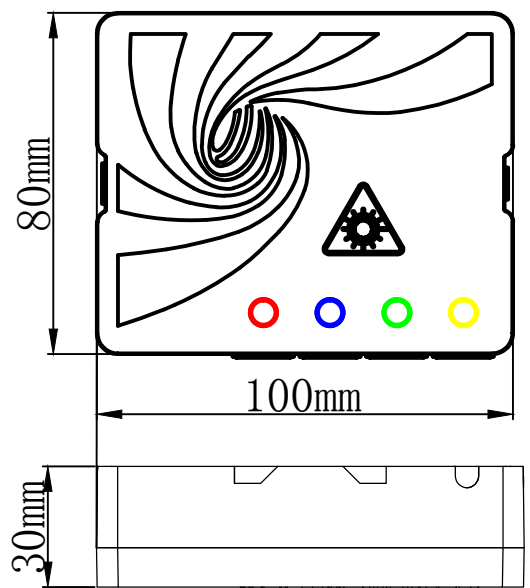
⑫	0.9 Tube Hytrel Color:Red	560mm	
⑪	0.9 Tube Hytrel Color:Blue	570mm	
⑩	0.9 Tube Hytrel Color:Green	590mm	
⑨	0.9 Tube Hytrel Color:Yellow	610mm	
⑧	Ring(1) (2) (3) (4) 10mm OD:2.1 mm ID:1.2 mm	1	
⑦	Heat Shrink Tubing	170mm	
⑥	Fanout Heat Shrink Tubing	1	
⑤	FIBER OPTICAL CABLE G657.A2 4C 250um Yellow Green Blue Red with KEVLAR Jacket LSZH OD: 2.2mm Color:White Printing: FIBER OPTICAL CABLE 4FO SM 9/125um G657.A2 LSZH HT CPR Eca MM/YYYY XXXXm	Xm	
④	SC Transparent Dust Cap	4	
③	SC/APC 8° Ferrule	4	
②	SC SM 0.9 Green Connector	4	
①	SC 0.9mm Green Boot	4	

Note:
 1. Grade Designation: Each to Reference
 2. ROHS 2.0 (EU)/2015/863 and REACH Compliant
 3. Bending insensitive fiber

TYPE	Single-Mode
Insertion Loss	≤0.3dB (IEC 61300-3-4)
Return Loss	APC ≥60dB (IEC 61300-3-6)
Test Wavelength	1310nm

Packing: 1pcs/Paper shaft + test report

NO		SPECIFICATION STANDARD	QT' Y	REMARK	SYNERGY 21			
					CUSTOMER		ITEM NO.	see the chart
		Add cable specification	2020-03-02	A1	PRODUCT NAME	4 cores SC/APC 8° fiber cable	Manufacture country	CHINA UNIT mm
		NEW	2019-04-24	A	DRAWNBY	CHECKBY	APPOBY	DATE
BY	CHK	REVISION RECORD MODIFICATIONS	DATE	REV.	SYNERGY 21	SYNERGY 21		2019-04-24



Note:

Tolerance : ± 2 mm
 ABS+PC material, White

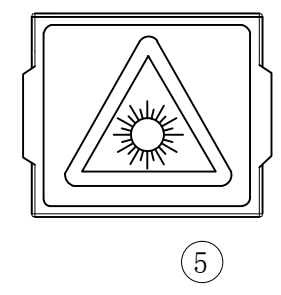
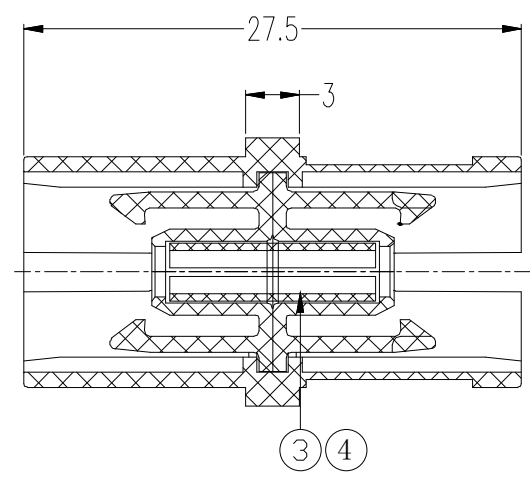
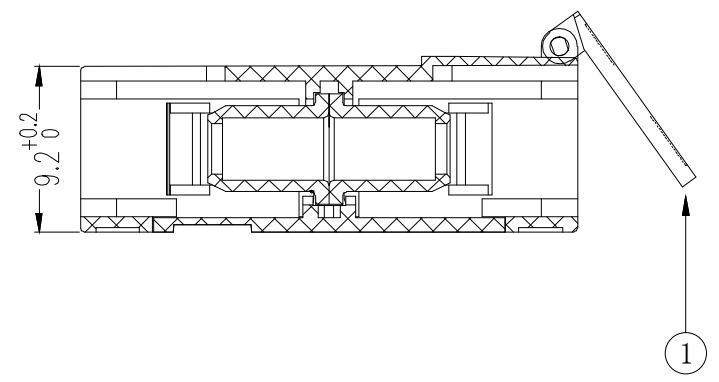
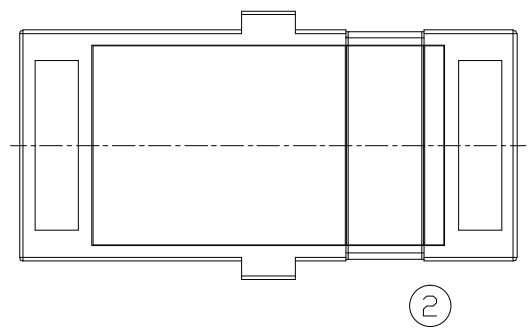
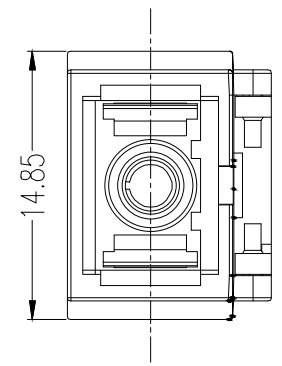
Accessory:

Screw ST4.0*25mm sets: 2 sets
 Cable Tie 2.2*80mm x 4 pcs

PACKING: 1PCS/PE BAG

SYNERGY 21

				CUSTOMER		ITEM NO.		See the chart	
				PRODUCT NAME	FTTH Box 4 Core	Manufacture country	CHINA	UNIT	mm
		NEW	2019-04-23	A	DRAWNBY	CHECKBY	APPOBY	DATE	
BY	CHK	REVISION RECORD MODIFICATIONS	DATE	REV.	SYNERGY 21	SYNERGY 21		2019-04-23	



NOTE:
RoHS 2.0 & Reach COMPLIANT

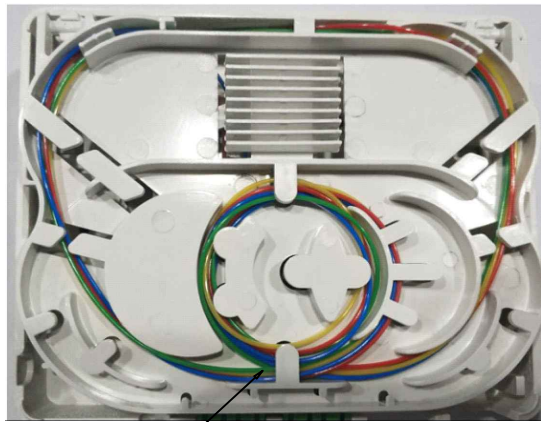
Insertion Loss (typical) (dB)	≤0.12
Insertion Loss (dB)	≤0.20
Operating Temperature(° C)	-40 ~+80
Storage Temperature(° C)	-40 ~+85

MATERIAL LIST:

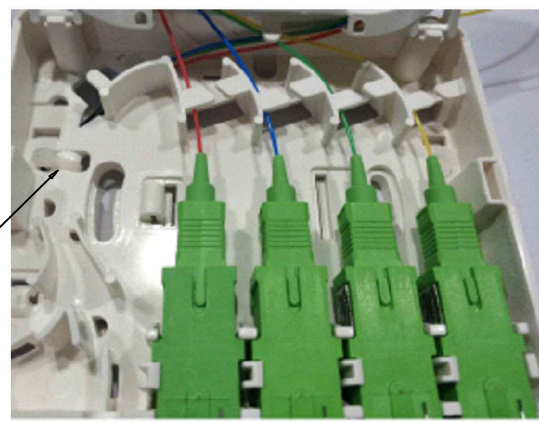
⑤	Note that the laser label (Red Blue Green Yellow)	1pcs	
④	SC Sleeve ceramic	1pcs	
③	SC Green Bush	2pcs	
②	SC Simplex Green one-piece Body without flange	1pcs	
①	SC Green Dust Cap	1pcs	
NO.	SPECIFICATION STANDARD	QT' Y	REMARK

		NEW	2019-04-23	A
BY	CHK	REVISION RECORD MODIFICATIONS	DATE	REV.

SYNERGY 21					
CUSTOMER		ITEM NO.	See the chart		
PRODUCT NAME	SC 3M Green (ceramic) Simplex plastic Adapter With external laser protection shutter	Manufacture country	CHINA	UNIT	mm
DRAWNBY	CHECKBY	APPOBY	DATE		
SYNERGY 21	SYNERGY 21		2019-04-23		

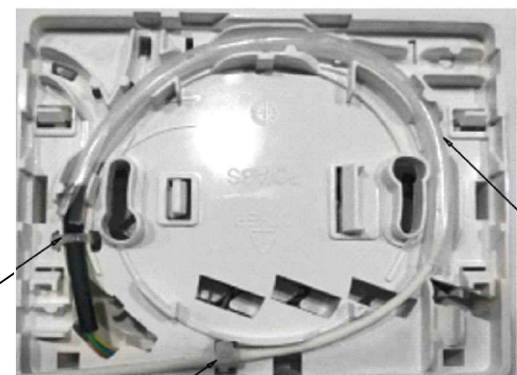


Two laps



Red Blue Green Yellow
Adapter label

Cable tie



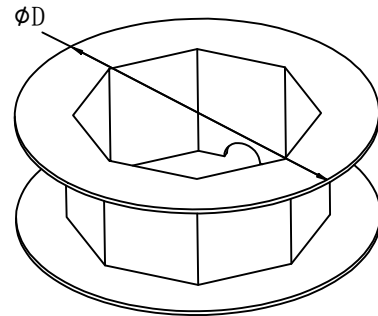
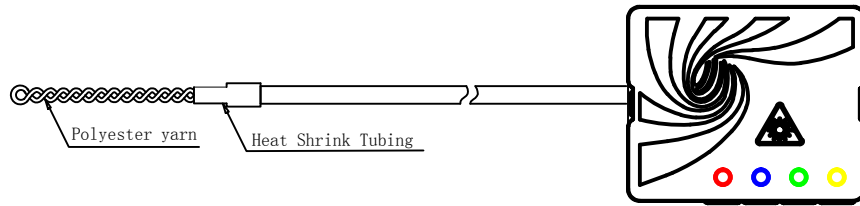
Transparent tube 135mm

Cable tie

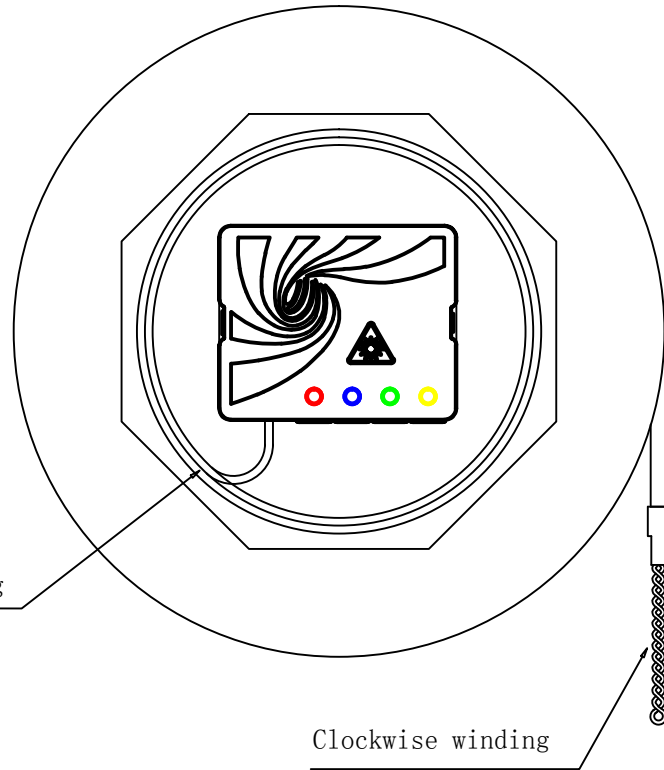
Cable tie

										SYNERGY 21			
				CUSTOMER					ITEM NO.	see the chart			
				PRODUCT NAME		Assemble			Manufacture country	CHINA	UNIT	mm	
				NEW		2019-04-24		A	DRAWNBY		CHECKBY	APPOBY	DATE
BY	CHK	REVISION RECORD MODIFICATIONS				DATE	REV.	SYNERGY 21		SYNERGY 21			2019-04-24

End-product drawing



Paper shaft

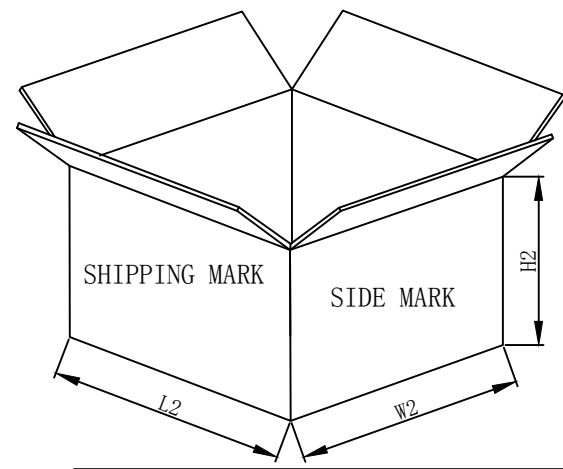
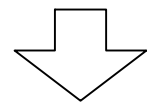
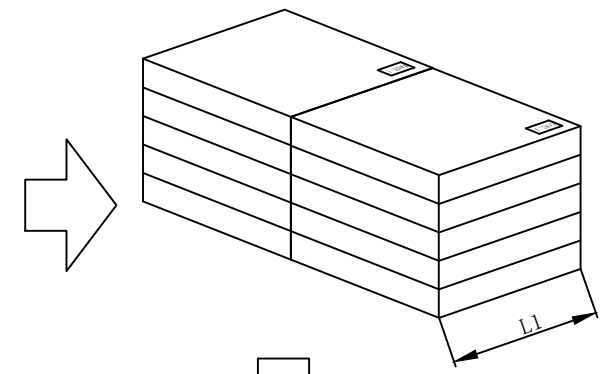
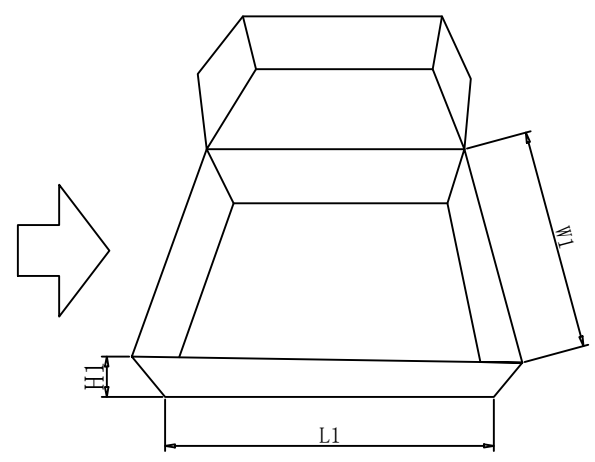
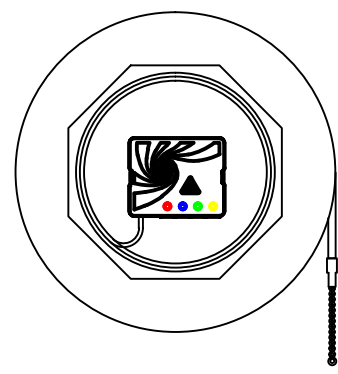


1 meters long

Clockwise winding

1pcs/Paper shaft + Test report + Accessory

SYNERGY 21											
CUSTOMER						ITEM NO.		See the chart			
PRODUCT NAME				Assemble			Manufacture country		CHINA	UNIT	mm
NEW				2019-04-24	A	DRAWNBY		CHECKBY		APPOBY	DATE
BY	CHK	REVISION RECORD MODIFICATIONS			DATE	REV.	SYNERGY 21	SYNERGY 21		2019-04-24	



ITEM NO.	LENGTH	FIBER	Color
S215577. 20m	20M	G657. A2	White
S215577. 40m	40M	G657. A2	White
S215577. 60m	60M	G657. A2	White

Packing: 1pcs/Inner box 10pcs/Big carton

SYNERGY 21

						CUSTOMER		ITEM NO.	see the chart	
						PRODUCT NAME	PACKING	Manufacture country	CHINA	UNIT mm
			NEW	2019-04-24	A	DRAWNBY	CHECKBY	APPOBY	DATE	
BY	CHK	REVISION RECORD MODIFICATIONS			DATE	REV.	SYNERGY 21	SYNERGY 21	2019-04-24	