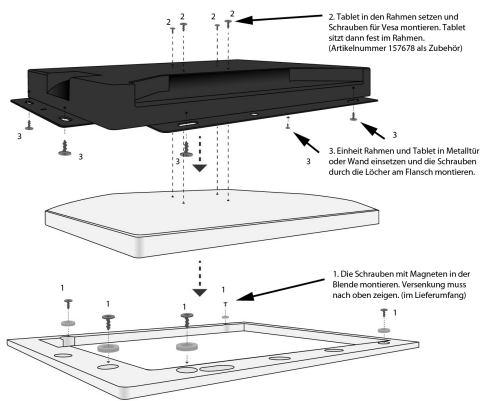


ALLNET Touch Display Tablet 18 in. Wall mounting Mounting frame for flush-mounted/cavity surface-mounted

>>> [Go to the shop article](#)



EAN CODE



Fitting installation frame for 18 inch tablet. Single frame for installation in walls, tables, furniture, etc.

Flange rests on top. Tablet protrudes approx. 2 mm from the frame. This frame is especially suitable for our cover panels.

Dimensions:

mm incl. flange of 18mm

Cut-out:

(+2mm on each side to ensure air circulation)

Depth should be at least 40 mm.

Attributes

Attribute	Value
Einsatzbereiche:	indoor
Weight:	2 Kg
Warranty:	1.00 Months