

Synergy 21 LED Controller EOS 07 DALI DT8 RGB/W



DALI Controller der EOS 07 Series für RGB-WW Produkte wie LED Streifen, RGB-WW Strahler oder ähnliches

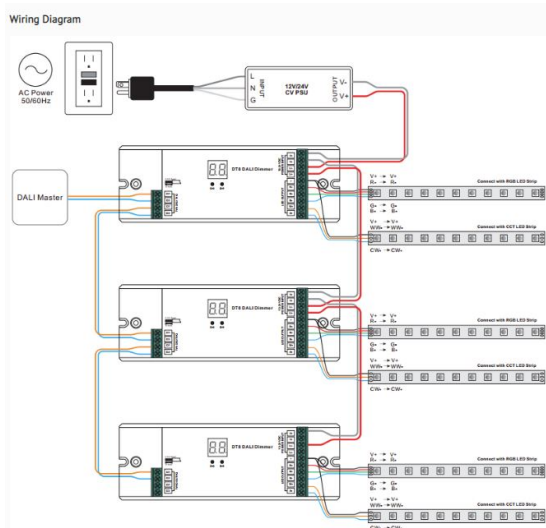
1. DT8 version 5 channels for RGBWW 5ch dimmer
2. DC version, 12-24VDC, 5ch x 5A, constant voltage
3. Overcurrent / overheat protection applied"

The RGBWW Controller is a 5 channel constant voltage RGBWA DT8 DALI dimmer that complies to the latest IEC 62386-209:2011 standard and supports DT8 device commands. All output channels R, G, B, W and Amber of this device is controlled via a single DALI address and it is compatible with universal DALI master controllers that supports DT8 commands. DT8 commands enable easy RGB color adjusting. DALI address can be manually assigned and displayed via digital display. It is configurable via DALI software tool and DALI USB interface.

Key Features

- DALI certified
- TÜV CE certified
- RGBWA DT8 DALI Dimmer with RGB Color Control
- Complies to the latest IEC 62386-209:2011 standard
- 5 channels constant voltage output controlled via a single DALI address
- R, G, B, W and Amber 5 channels output
- Control of five PWM outputs R, G, B, W and A via DALI DT8 color type RGBWA.
- Color control as defined in the DALI specification for device type 8, color type RGBWA.
- Compatible with universal DALI master controllers that supports DT8 commands
- DALI address can be manually assigned and displayed via digital display
- Configurable via DALI software tool and DALI USB interface

Weitere Bilder



Zubehör

Art.-Nr.	Name
120320	Synergy 21 LED Controller EOS 07 DALI slave 1/4
120326	Synergy 21 LED Controller EOS 07 DALI slave 4/4
120491	Synergy 21 LED Controller EOS 07 DALI Wandtaster 4 Lampen
120492	Synergy 21 LED Controller EOS 07 DALI Wandtaster 4 Gruppen
120493	Synergy 21 LED Controller EOS 07 DALI Wandtaster 4 Szenen
120494	Synergy 21 LED Controller EOS 07 DALI slave 1/4 IP66
120808	Synergy 21 LED Controller EOS 07 DALI Bus Stromversorgung Hutschiene
120809	Synergy 21 LED Controller EOS 07 DALI slave 1/4 push dim function
120811	Synergy 21 LED Controller EOS 07 DALI switch 1/1
140109	Synergy 21 LED Controller EOS 07 DALI slave 1~4/4 high power
157450	Synergy 21 LED Controller EOS 07 DALI 0-10V und TRIAC Dimmer
157451	Synergy 21 LED Controller EOS 07 DALI 0-10V und TRIAC Dimmer + Netzteil 24V 200W
157729	Synergy 21 LED Controller EOS 07 DALI Dimmer
157736	Synergy 21 LED Controller EOS 07 DALI DT8 CCT 4 group
157737	Synergy 21 LED Controller EOS 07 DALI DT8 Dimmer 4 channel

Art.-Nr.	Name
157742	Synergy 21 LED Controller EOS 07 DALI DT8 RGBW 1 group
157743	Synergy 21 LED Controller EOS 07 DALI DT8 RGBW 4 groups
157745	Synergy 21 LED Controller EOS 07 DALI DT8 RGB/RGBW
157746	Synergy 21 LED Controller EOS 07 DALI DT8 RGBW multi zones
178378	Synergy 21 LED Controller EOS 07 DALI DT8 RGB-WW (CCT)