

Chart:

| ITEM NO   | COLOUR              |
|-----------|---------------------|
| S216322V2 | pure white, RAL9010 |

**Materials:**

Outlet Housing: ABS UL-94V2/Colour:see the chart

Outlet Base: ABS UL-94V2/Colour:see the chart

Metalic Plate:Al&Zn Alloy /Al&Zn Alloy,

ACCESSORY :

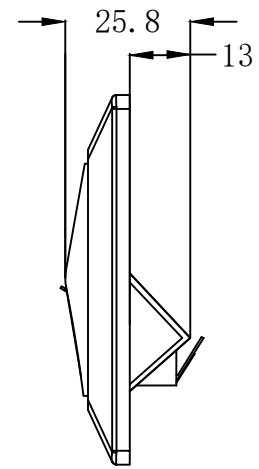
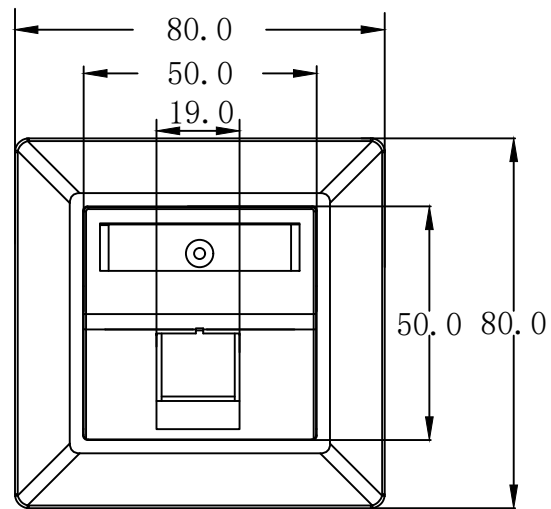
- 1.Label
- 2.Plastic gasket
- 3.Screw:M4\*9\*2Pcs

Storage Temperature: -40°C--+70°C

Operation Temperature:-10°C--+60°C

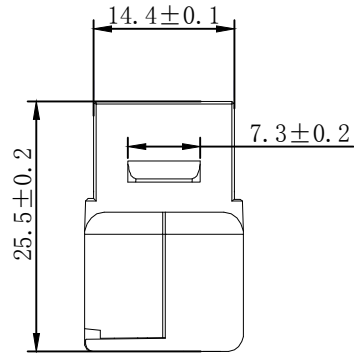
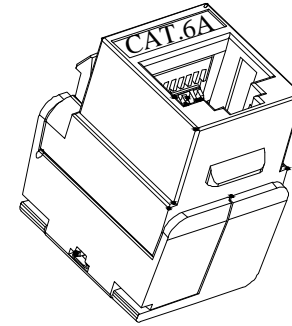
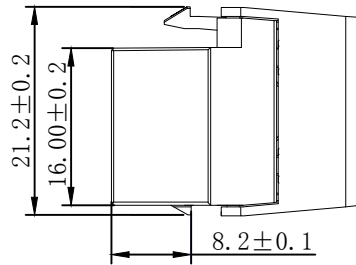
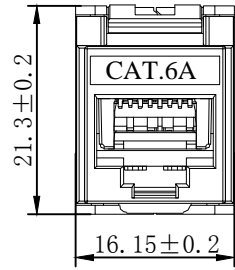
RoHS 3.0&REACH Compliant

Packing:PE bag+label



**SYNERGY 21**

|              |                 | CUSTOMER                      |         | ITEM NO. |            | see the chart |            |            |
|--------------|-----------------|-------------------------------|---------|----------|------------|---------------|------------|------------|
| PRODUCT NAME | FRAME SET 1PORT | manufacture country           | China   | UNIT     | MM         |               |            |            |
| NEW          | 2022-08-04      | A                             | DRAWNBY | CHECKBY  | APPOBY     | DATE          |            |            |
| BY           | CHK             | REVISION RECORD MODIFICATIONS | DATE    | REV.     | SYNERGY 21 | SYNERGY 21    | SYNERGY 21 | 2022-08-04 |



**MATERIAL LIST:**

|   |                   |                                      |   |  |
|---|-------------------|--------------------------------------|---|--|
| ⑦ | MODULAR COVER     | White/PC with T568A/B label          | 1 |  |
| ⑥ | RJ 45 JACK INSERT | PHOSPHOR BRONZE 8P8C 6U" GOLD PLATED | 8 |  |
| ⑤ | PCB               | 1.6mm UL 94V0                        | 1 |  |
| ④ | IDC BODY          | White/PC                             | 1 |  |
| ③ | IDC PIN           | PHOSPHOR BRONZE & TINNED             | 8 |  |
| ② | LABEL COLOR CODE  | T568A/B                              | 2 |  |
| ① | IDC TERMINAL      | FOR 22-24AWG(0.45mm-0.65mm) CABLE    | 1 |  |

| NO | PARTS NAME | SPECIFICATION STANDARD        | QT' Y      | REMARK |
|----|------------|-------------------------------|------------|--------|
|    |            |                               |            |        |
|    |            | NEW                           | 2019-05-09 | A      |
| BY | CHK        | REVISION RECORD MODIFICATIONS | DATE       | REV.   |

**NOTES:**

**ELECTRICAL:**

- Contact Resistance : 20MΩ MAX
- Insulation Resistance : 500MΩ MIN @ 500V DC
- Withstand Voltage : DC 1000V AC 700V RMS 60Hz, 1MIN
- Component testing for Cat.6A to ISO/IEC 11801 Ed.2.2:2011-06  
DIN EN 50173-1:2011-09  
TIA/EIA-568-C.2 (2009-08)  
IEC 60603-7-5
- Compliance with Class EA up to 500 MHz to ISO/IEC 11801 Ed.2.2:2011-06  
DIN EN 50173-1:2011-09

**ENVIRONMENTAL:**

- Storage : -40° TO+70°
- Operation : -10° to+60°

**MECHANICAL**

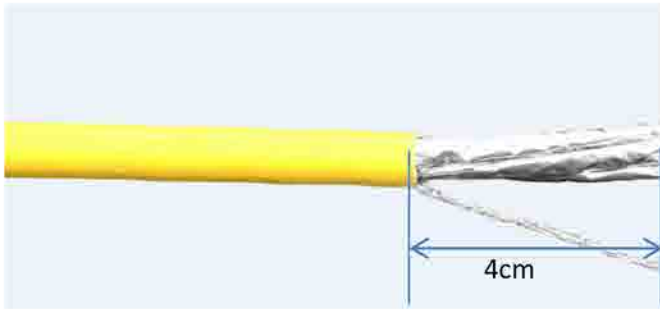
- SHIELD MATERIAL: ZINC ALLOY
- IDC MATERIAL: PC TERMINAL:PHOSPHOR BRONZE, TIN PLATING
- RJ45 Contact Life: 750 Times Min
- Plug inforce:<30N
- Solid cable:1/22AWG(0.65MM)-1/24AWG(0.45MM) ID:0.8MM-1.6MM
- Cable OD: 5.0mm-8.5mm
- PoE per IEEE 802.3af, PoE+ per IEEE 802.3at

Fluke Test:Permanent Link ISO 11801 (PL2)Class Ea 1000MHZ  
AWG23/1 CAT.7 Shielded 15M  
RoHS(EU2015/863) and REACH Compliant  
PACKING:1PCS/PE BAG

| SYNERGY 21   |                          |                      |            |         |    |
|--------------|--------------------------|----------------------|------------|---------|----|
| CUSTOMER     |                          |                      | ITEM NO.   | S216349 |    |
| PRODUCT NAME | CAT.6A STP KEYSTONE JACK | manufacture country: | china      | UNIT    | MM |
| DRAWNBY      | CHECKBY                  | APPOBY               | DATE       |         |    |
| SYNERGY 21   | SYNERGY 21               | SYNERGY 21           | 2019-05-09 |         |    |

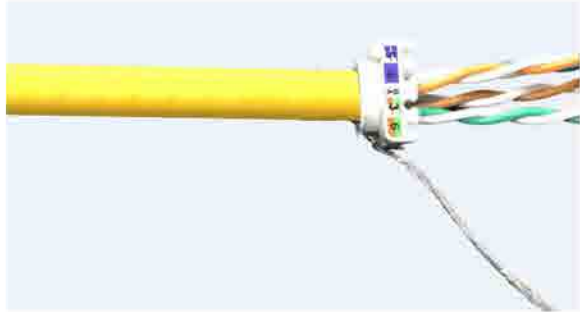
# Montageanleitung/Installation Instruction

## Super short body Cat.6A Keystone Jack



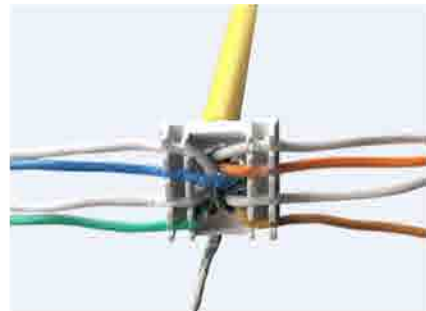
- ①. Stripping off approx. 4cm, twist the braiding into a strand. Remove the pair shielding.

- ①. Ca. 4 cm abziehen und das Geflecht zu einer Litze verweben. Entfernen Sie die Paarabschirmung.



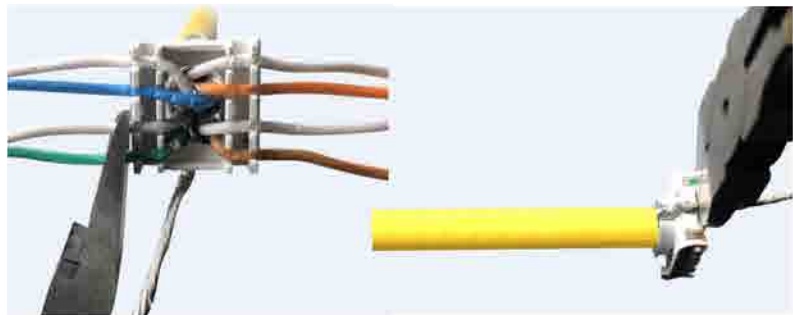
- ②. Pass the cable wires into grommet without the strand as shown in the photo.

- ②. Führen Sie die Kabeldrähte ohne die Litze in die Durchführung ein (siehe Foto).



- ③. Insert each wire in its location according to the color code.

- ③. Legen Sie jeden Draht gemäß dem Farbcode an seiner Stelle ein



- ④. Cut the wires and the strand.

- ④. Schneiden Sie die Drähte und die Litze ab.



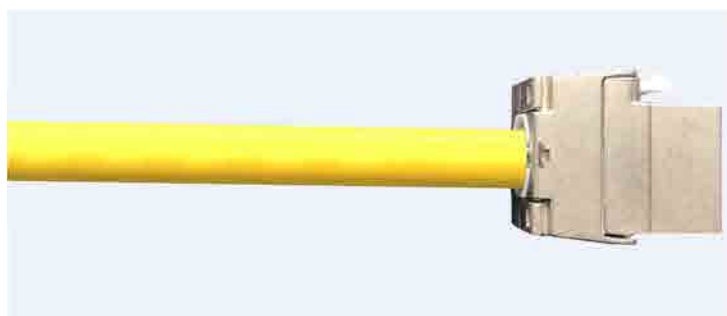
- ⑤. Make sure that the arrows of the jack are oriented in the same direction as those of the grommet.

- ⑤. Stellen Sie sicher, dass die Pfeile des Wagenhebers in die gleiche Richtung wie die der Tülle zeigen.



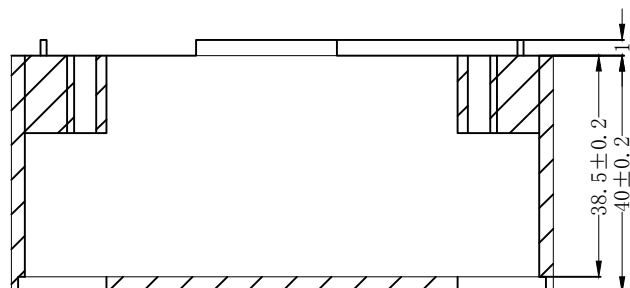
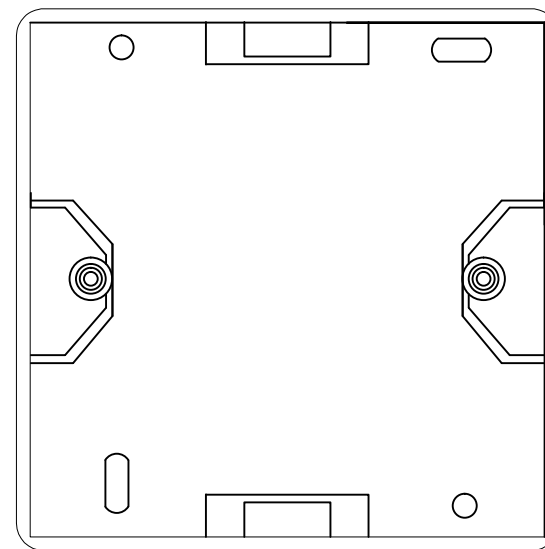
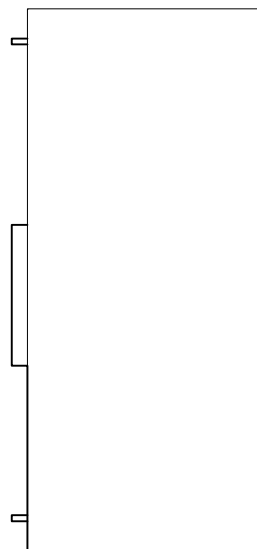
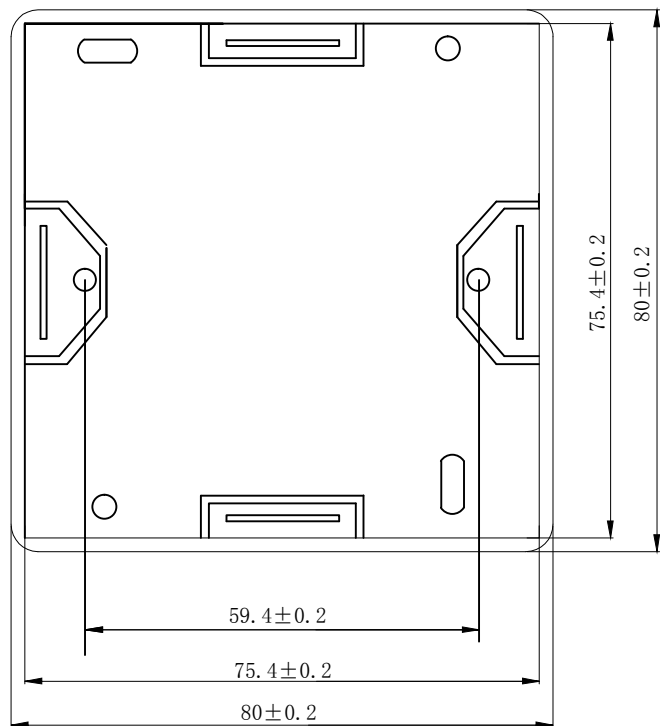
- ⑥. Connect the grommet to the connector.

- ⑥. Verbinden Sie die Tülle mit dem Anschluss.



- ⑦. Fold the cheeks of the RJ45 jack until completely closed.

- ⑦. Falten Sie die Wangen der RJ45-Buchse, bis sie vollständig geschlossen sind.



| ITEM NO. | COLOUR              |
|----------|---------------------|
| S216328  | Pure White RAL9010  |
| S216329  | Pearl White RAL1013 |

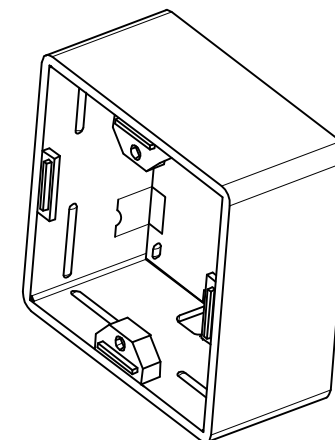
**NOTE:**

MATERIAL: ABS

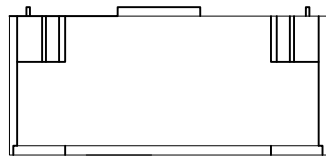
SIZE: 80MM\*80MM\*40MM

RoHS2.0 AND REACH COMPLIANT

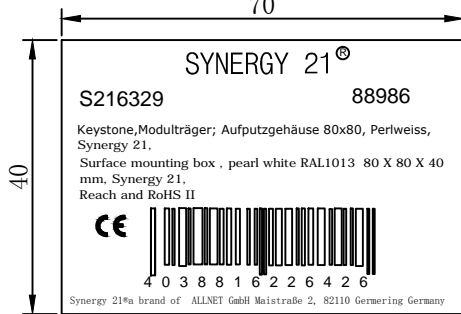
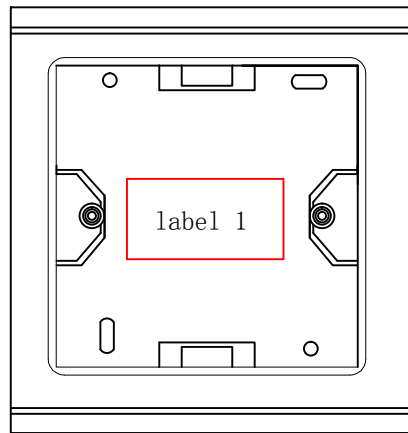
ACCESSORY: SCREW M3\*14 2PCS



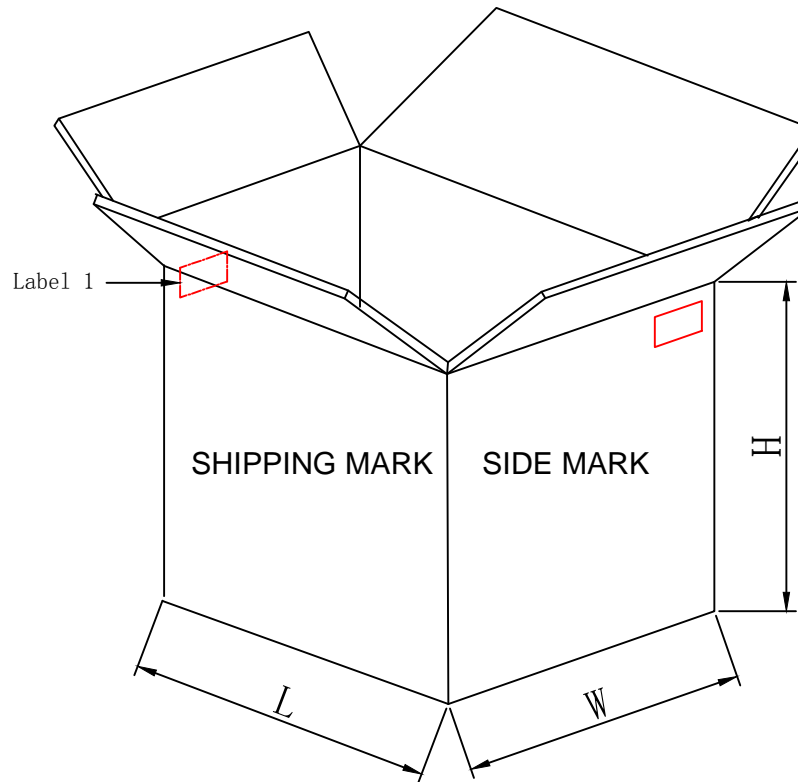
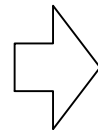
|    |     | UPDATE PACKING TYPE           | 2018-03-20 | A3   | SYNERGY 21   |              |                      |               |      |    |
|----|-----|-------------------------------|------------|------|--------------|--------------|----------------------|---------------|------|----|
|    |     | UPDATE PRODUCT                | 2014-09-24 | A2   | CUSTOMER     |              | ITEM NO.             | see the chart |      |    |
|    |     | UPDATE ROHS COMPLIANT         | 2013-07-10 | A1   | PRODUCT NAME | mounting box | manufacture country: | CHINA         | UNIT | MM |
|    |     | NEW                           | 2011-07-11 | A    | DRAWNBY      | CHECKBY      | APPOBY               | DATE          |      |    |
| BY | CHK | REVISION RECORD MODIFICATIONS | DATE       | REV. | SYNERGY 21   | SYNERGY 21   | SYNERGY 21           | 2018-03-20    |      |    |



mounting box+pe bag



pe bag label



96PCS/CTN+LABEL 1

SHIPPING MARK



PO NO. :  
REACH and ROHS 2.0 Compliant  
MADE IN CHINA

SIDE MARK

PO NO. :  
Item no:  
Q' TY:  
N. W  
G. W  
Carton no.  
MEAS.

1. Packing: 1PCS/PE Bag A+Label 1, 96PCS/CTN+LABEL 1
2. “工” type sealing
3. “井” type packaging

|            |  |  |  |
|------------|--|--|--|
| SYNERGY 21 |  |  |  |
|------------|--|--|--|

|    |     |                               |            |      |              |            |                      |               |      |    |
|----|-----|-------------------------------|------------|------|--------------|------------|----------------------|---------------|------|----|
|    |     |                               |            |      | CUSTOMER     |            | ITEM NO.             | see the chart |      |    |
|    |     | UPDATE PACKING TYPE           | 2018-03-20 | A3   | PRODUCT NAME | PACKING    | manufacture country: | CHINA         | UNIT | MM |
|    |     | NEW                           |            |      | DRAWNBY      | CHECKBY    | APPOBY               | DATE          |      |    |
| BY | CHK | REVISION RECORD MODIFICATIONS | DATE       | REV. | SYNERGY 21   | SYNERGY 21 | SYNERGY 21           | 2018-03-20    |      |    |