

LOGO: **SYNERGY 21**®

PANEL COLOUR GRAY: "1" for black printing The pantone of Color is blackC
 "SYNERGY 2 ® " for black printing The pantone of Color is blackC
 "1" for blue printing The pantone of Color is 298C
 PANEL COLOUR BLACK: "1" for silver printing The pantone of Color is 877C
 "SYNERGY 2 ® " for silver printing The pantone of Color is 877C
 "1" for blue printing The pantone of Color is 298C
 MATERIAL LIST:

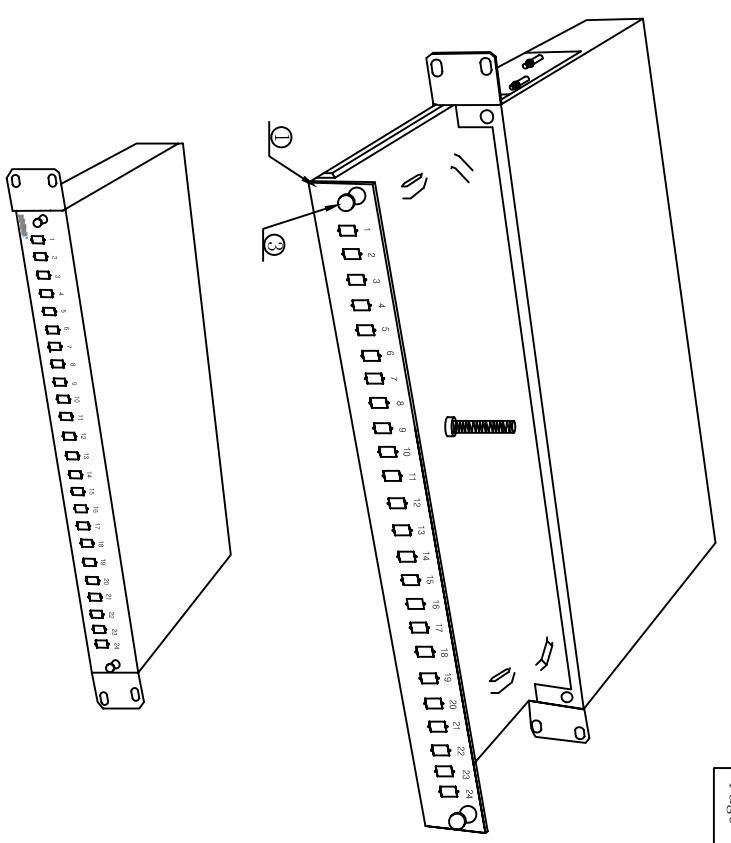
③	Push pin	ABS 0015.8	2	
②	Upper Panel Cover	1.2mm thickness Metallic Panel (SPCC)	1	
①	Bottom Panel	1.2mm thickness Metallic Panel (SPCC)	1	
NO.	PARTS NAME	SPECIFICATION DESCRIPTION	QTY	REMARK

SYNERGY 21

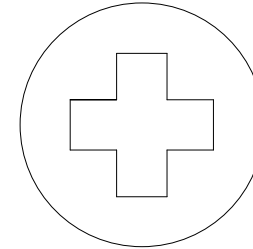
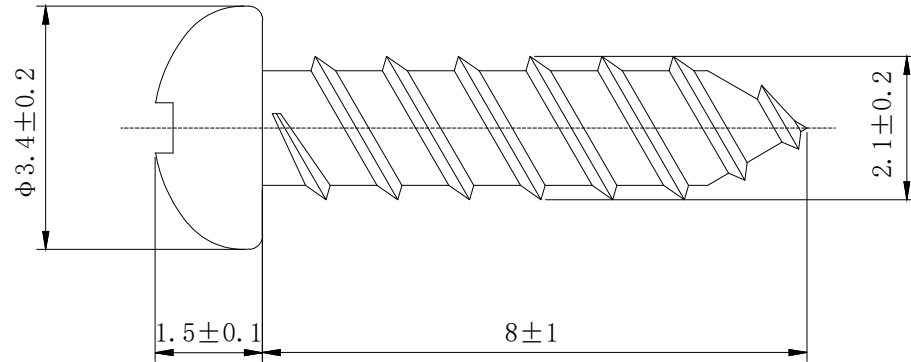
CUSTOMER	PRODUCT NAME	ITEM NO.	SEE THE CHART
	19" Fiber Optic Patch Panel, 1U" sliding type 24 LC duplex /24 SC SIMPLEX		
DRAWNBY	CHECKBY	APPOBY	DATE
SYNERGY 21	SYNERGY 21	SYNERGY 21	2013. 10. 08

ITEM NO	COLOUR
S216299	BlackRAL9005
S216298	Gray RAL7035

1 2 3 424 fontfamily: Arial
 Accessory:Screw and Nut M6*18mm*4set
 Dust cap SC DX type*24pcs
 Cable connector PG13. 5*4pcs
 ROHS2.0 AND REACH COMPLIANT
 PACKING: 1PCS/Panel box



BY	CHK	REVISION RECORD MODIFICATIONS	DATE	REV.	SYNERGY 21	SYNERGY 21	SYNERGY 21	2013. 10. 08
		UPDATE METALLIC	2013. 10. 30	A1				
		NEW	2013. 10. 08	A				



Note:

Material: Metal zinc plating

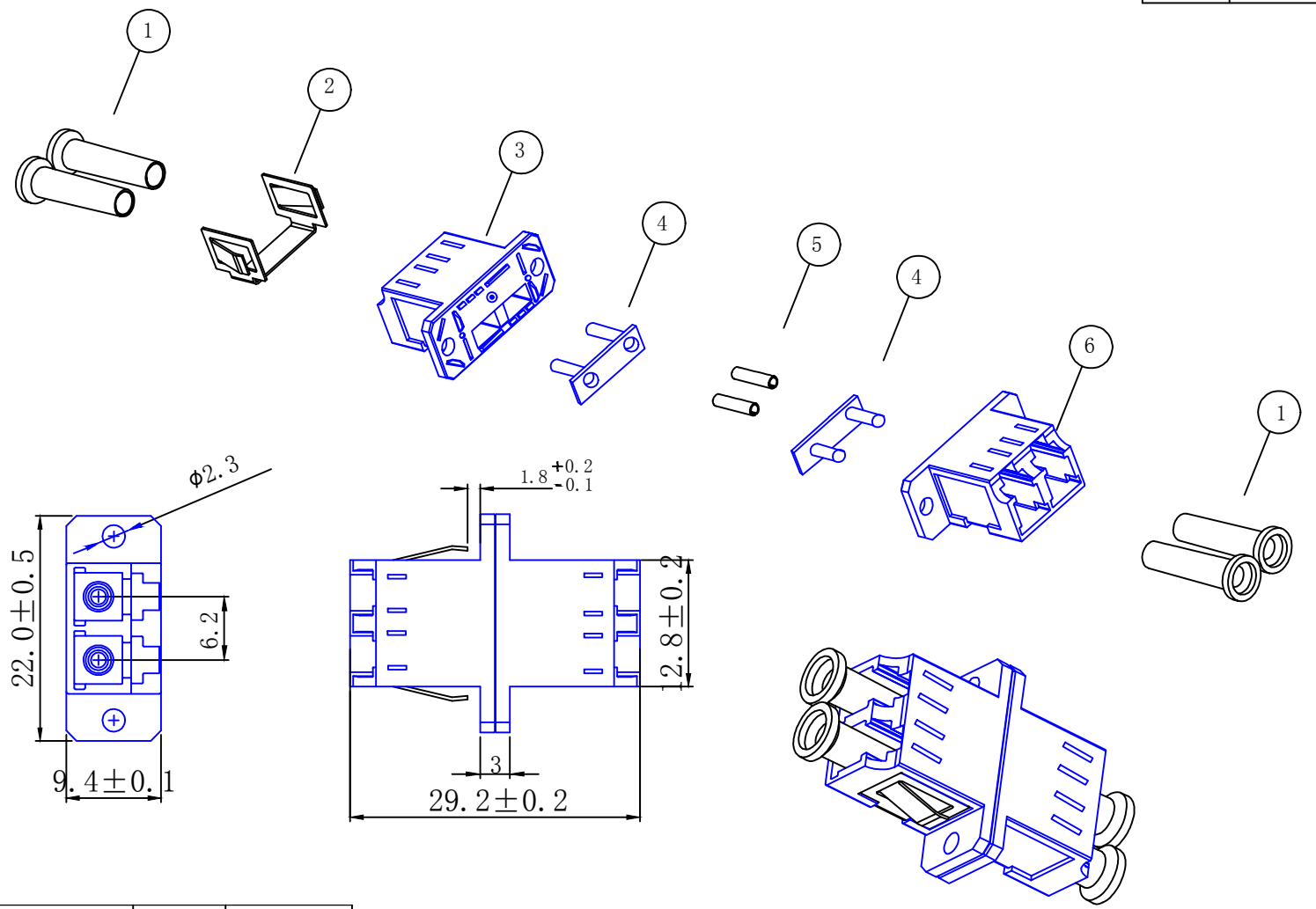
Screw drivers: PHILLIPS

RoHS 2.0 and REACH Compliant

SinglePack: 1 unit/PE bag(100pcs=1 unit)+label; SubPack: no; Carton +labelx2;

SYNERGY 21				
CUSTOMER		ITEM NO.	S216315V2	
PRODUCT NAME	Screw ST 2.0*8mm	manufacture country	CHINA	UNIT mm

		NEW	2022-01-05	A	DRAWNBY	CHECKBY	APPOBY	DATE
BY	CHK	REVISION RECORD MODIFICATIONS	DATE	REV.	SYNERGY 21	SYNERGY 21	SYNERGY 21	2022-01-05



NOTE:
RoHS 2.0 & Reach COMPLIANT

Insertion Loss(dB)	≤0.20
Operating Temperature(° C)	-40 ~+80
Storage Temperature(° C)	-40 ~+85

PACKING:1PC/PE BAG + TEST REPORT +LABEL

MATERIAL LIST:

⑥	LC Blue Plastic body (SC simplex footprint)	1pcs	
⑤	LC Sleeve ceramic (Single-Mode)	1pcs	
④	Blue bush	2pcs	
③	LC Blue Plastic body (SC simplex footprint)	1pcs	
②	LC Metal Mount	1pcs	
①	LC White Dust Cap	4pcs	
NO.	SPECIFICATION STANDARD	QT' Y	REMARK

		NEW	2016-11-18	A			
BY	CHK	REVISION RECORD MODIFICATIONS	DATE	REV.	SYNERGY 21	SYNERGY 21	2016-11-18

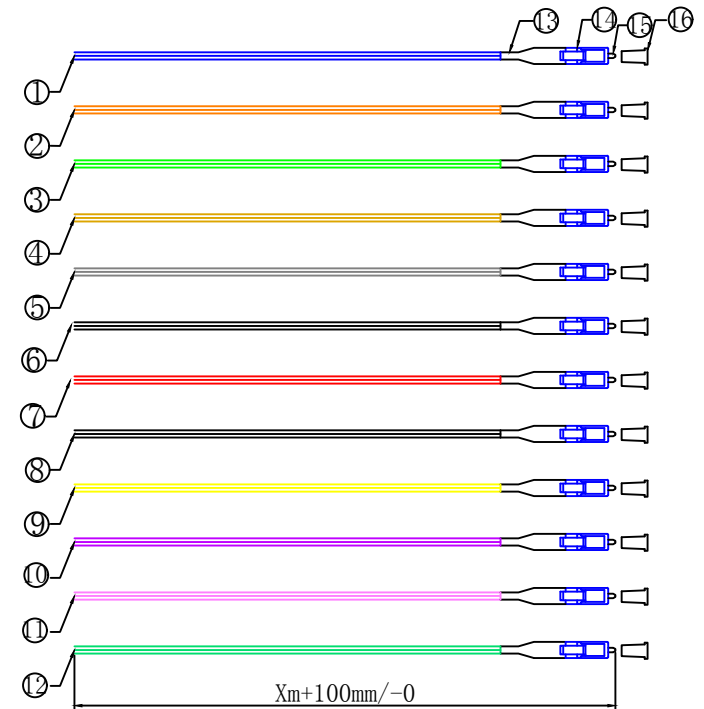
SYNERGY 21							
CUSTOMER		ITEM NO.	S215426				
PRODUCT NAME	LC SM(ceramic)Duplex Plastic Adapter(SC SX Footprint)	manufacture country	CHINA	UNIT	MM		
		DRAWNBY	CHECKBY	APPOBY		DATE	
		SYNERGY 21	SYNERGY 21	SYNERGY 21		2016-11-18	

NOTE:

- 1.The primary coating and secondary coating have the same color
- 2.Loose buffered, easy strip type at least 1m
- 3.ROHS 2.0 and REACH compliant

MATERIAL LIST:

⑬	LC White Dust Cap	12	
⑮	LC/ UPC SM Ferrule	12	
⑭	LC SM Blue 0.9 Connector	12	
⑬	LC 0.9 White Boot	12	
⑫	Fiber Cable LOOSE TUBE SM 9/125 G657.A2 0.9mm TURQUOISE LSZH	Xm	
⑪	Fiber Cable LOOSE TUBE SM 9/125 G657.A2 0.9mm PINK LSZH	Xm	
⑩	Fiber Cable LOOSE TUBE SM 9/125 G657.A2 0.9mm VIOLET LSZH	Xm	
⑨	Fiber Cable LOOSE TUBE SM 9/125 G657.A2 0.9mm YELLOW LSZH	Xm	
⑧	Fiber Cable LOOSE TUBE SM 9/125 G657.A2 0.9mm BLACK LSZH	Xm	
⑦	Fiber Cable LOOSE TUBE SM 9/125 G657.A2 0.9mm RED LSZH	Xm	
⑥	Fiber Cable LOOSE TUBE SM 9/125 G657.A2 0.9mm WHITE LSZH	Xm	
⑤	Fiber Cable LOOSE TUBE SM 9/125 G657.A2 0.9mm GREY LSZH	Xm	
④	Fiber Cable LOOSE TUBE SM 9/125 G657.A2 0.9mm BROWN LSZH	Xm	
③	Fiber Cable LOOSE TUBE SM 9/125 G657.A2 0.9mm GREEN LSZH	Xm	
②	Fiber Cable LOOSE TUBE SM 9/125 G657.A2 0.9mm ORANGE LSZH	Xm	
①	Fiber Cable LOOSE TUBE SM 9/125 G657.A2 0.9mm BLUE LSZH	Xm	
NO.	SPECIFICATION STANDARD	QT' Y	REMARK



Grade Designation:Each to Reference

Type	Single-Mode
Insertion Loss	$\leq 0.3dB$ (IEC 61300-3-4)
Return Loss	$\geq 50dB$ (IEC 61300-3-6)
Test Wavelength	1310nm

ITEM NO.	Length
S215475V2	2.0m

SYNERGY21

		CUSTOMER				ITEM NO.		See the chart			
		PRODUCT NAME		Pigtail LC/UPC SM 9/125 μm 12 different colours 0.9		manufacture country:		CHINA	UNIT	MM	
		NEW		2021-12-03		A					
BY	CHK	REVISION RECORD MODIFICATIONS			DATE	REV.	SYNERGY21	SYNERGY21	SYNERGY21	DATE	2021-12-03

SYNERGY 21

TEST REPORT

Batch No.		Attention: Please clean the fiber surfaces! Achtung: Bitte reinigen Sie Steckerschnittflächen! 
Artikel NO.		
ITEM Number		
Description		

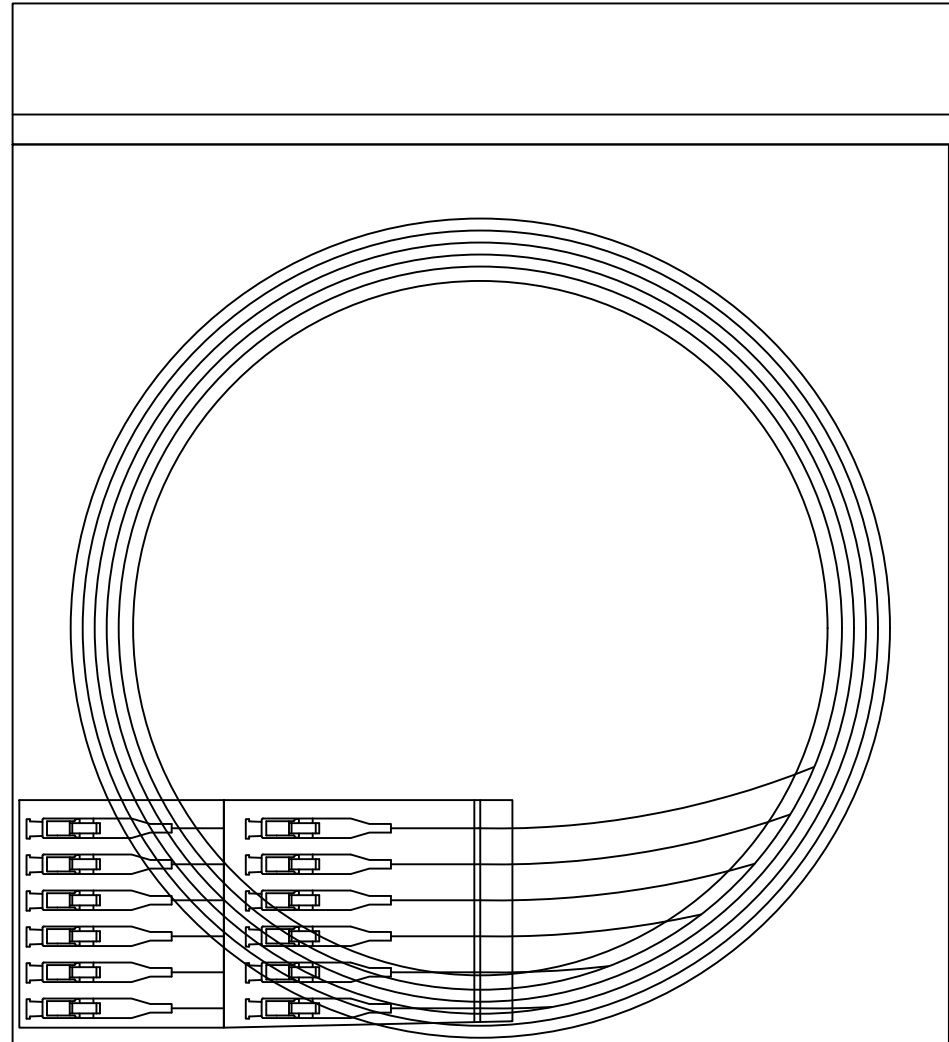
Notes

Min. Bending Radius (mm)	Static: 10*D Dynamic: 20*D	D: Cable Diameter
Fiber Type	G657.A2	Must be the same type of fiber to splice.
Index of Refraction	1310nm: 1550nm:	

TEST VALUES

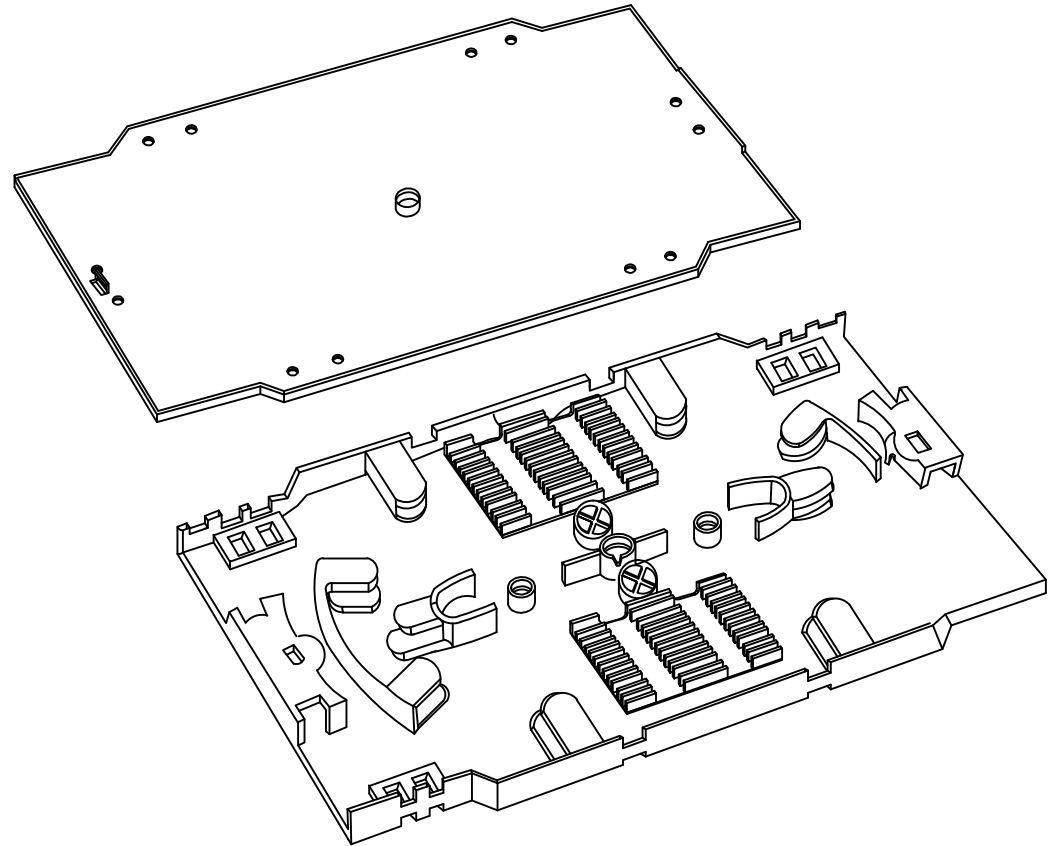
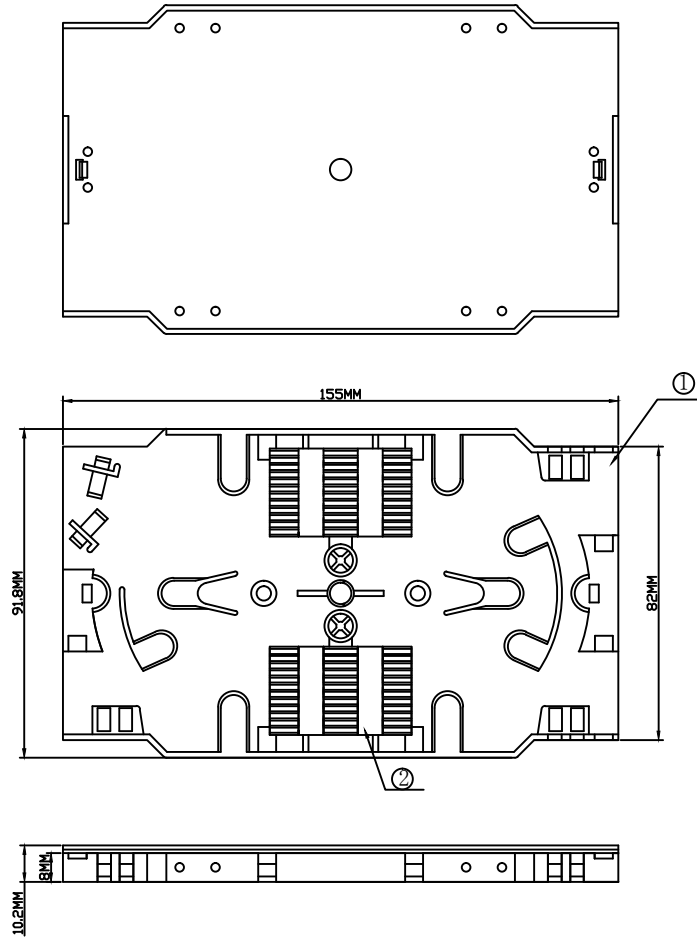
Standard (Each to Reference)		Allow Loss $\lambda = 1310\text{nm}$		
		Insertion Loss (IBC 61300-3-4)	Return Loss (IBC 61300-3-6)	UPC > 50dB
1	blue			
2	orange			
3	green			
4	brown			
5	grey			
6	white			
7	red			
8	black			
9	yellow			
10	violet			
11	pink			
12	turquoise			
RESULT		OK		

Packing: 1pc/SYNERGY 21 Bag A+test report, 20pcs/Inner carton, 80pcs/Outer carton



SYNERGY21

		CUSTOMER				ITEM NO.	See the chart		
		PRODUCT NAME	Pigtail LC/UPC SM 9/125 μm 12 different colours 0.9			manufacture country:	CHINA	UNIT	MM
		NEW	2021-12-03	A	DRAWNBY	CHECKBY	APPOBY	DATE	
BY	CHK	REVISION RECORD MODIFICATIONS		DATE	REV.	SYNERGY21	SYNERGY21	SYNERGY21	2021-12-03



- with 2* 12 core splicing Holder ,black
 - Material:Plastic (Non fire retardant)
 - Color: beige
 - RoHS 2.0 and Reach Compliant
- Packing:1pcs/PE bag+label 1, 100pcs/innet carton+outer carton+label 3

MATERIAL LIST:

②	Splic Holder	ABS/Black	2		SYNERGY 21					
①	Splicing tray	24 cores splicing tray, ABS/Beige	1							
NO.	PARTS NAME	SPECIFICATION DESCRIPTION	QT' Y	REMARK	CUSTOMER	ITEM NO.	S215474			
					PRODUCT NAME	Splicing tray with 2pcs of 12core holders	manufacture country	CHINA	UNIT	MM
		NEW	2017. 04. 27	A	DRAWNBY	CHECKBY	APPOBY	DATE		
BY	CHK	REVISION RECORD MODIFICATIONS	DATE	REV.	SYNERGY 21	SYNERGY 21	SYNERGY 21	2017. 04. 27		