



No. d'article: 219054
Numéro de fabricant: ALL-SGI8007PD

ALLNET Switch industrial unmanaged Layer2 7 Port GbE • PoE Budget 85W • 4x GbE • 2x SFP • 1x GbE PD • Fanless • IP40 • ALL-SGI807PD

>>> Vers l'article de la boutique en ligne

EAN CODE



ALLNET Switch industrial unmanaged Layer2 7 Port GbE • PoE Budget 85W • 4x GbE • 2x SFP • 1x GbE PD • Fanless • IP40 • ALL-SGI807PD

Highlights:

- With 4*10/100/1000M PoE downlink ports, 1*10/100/1000M PD ports, and 2*1000M SFP ports, and it supports 4 ports PoE power each up to 30W
- Provides two modes of Default and VLAN to adapt to various complex environments
- Supports PoE Auto-check function, which is specially designed to solve the problems of equipment frozen.
- It can automatically detect the frozen PD equipment and restart the ports' output of PSE, and restart the PD device.
- It greatly reduces the maintenance difficulty of engineering
- Support 6KV surge protection, 8KV contact/ 15KV air ESD protection
- Supports relay alarm for power off, network broken, PoE off
- 2x power supply versions:
Version1: PoE IEEE802.3bt with max. 90W then has max. 85W budget.
Version2: DC power input 48~57VDC max. PoE budget max. 120W - recommendation: use 240W power supply. (GBICS and switch itself also need power)

The ALL-SGI8007PD stands as an industrial PoE switch with 7 ports, offering support for up to 4 *10/100/1000M PoE downlink ports, 1 *10/100/1000M PD port, and 2 *1000M SFP ports. Within the 4 *10/100/1000M ports, PoE+ is facilitated in accordance with IEEE 802.3af/at standards. The ALL-SGI8007PD presents two power supply options: Version 1 employs PoE IEEE802.3bt with a maximum power delivery of 90W and a budget cap of 85W; Version 2 embraces a DC input voltage range of 48~57VDC with a peak PoE budget of 120W - it is advisable to employ a 240W power supply unit (PSU) for optimal performance. (Please note that both GBICs and the switch

itself also require a power source.)

This switch proffers two distinct modes - Standard and VLAN - meticulously tailored to adeptly adapt within varying complex environments. Furthermore, it integrates the PoE Auto-Check functionality, meticulously devised to counteract challenges arising from device freezing. It effectively identifies frozen PD devices and subsequently triggers a reset of the PSE port outputs, thereby instigating a seamless reboot for the PD device.

The outcome culminates in a considerable reduction in maintenance overhead for technicians. Distinguished by virtues of reliability, robustness, durability, and elevated performance, this switch serves as an impeccable solution, finding its niche in security networks, video surveillance systems, network engineering, and a myriad of other domains, rendering it remarkably versatile across diverse scenarios.

Example Use cases:

Here are some use cases for switches with PoE inputs targeting resellers in the mentioned sectors:

- 1. Efficient Floor Cabling:** In complex networks where workplace switches are powered by a central PoE switch, using PD switches at the workstations reduces the need for individual power supplies and allows time-saving control of ports through the central switch.
- 2. Security Aspects and Access Control:** By being able to turn PoE PD switches on or off on a schedule, the network administrator can regulate power supply to specific devices, thereby controlling access to IP phones, computers, and other devices through network access.
- 3. Flexible Device Installation:** When installing devices like access points or IP cameras in locations without nearby power outlets, PD switches offer an ideal solution. Centralized control facilitates delivering power to remote locations.
- 4. Large Warehouses and Expansive Sites:** In environments like large warehouses or extensive outdoor areas where power supply is a challenge, PD switches combined with PoE repeaters allow reliable power distribution over longer distances.
- 5. IoT Implementations:** When integrating IoT devices in scenarios like smart buildings or industrial environments, PD switches provide the necessary flexibility to operate devices even in hard-to-reach locations.
- 6. Efficient Smart Home Infrastructure:** In smarthome installations, PD switches optimize power distribution and reduce the need for individual power sources for each device.
- 7. Security Systems and Video Surveillance:** In security systems and video surveillance applications, PD switches can ensure power supply for cameras, sensors, and other devices in hard-to-access or strategic areas.
- 8. Telecommunication Infrastructure:** When implementing communication systems in remote locations such as telecommunication masts, PD switches enable reliable communication and power supply.
- 9. Energy-Efficient Lighting Solutions:** In the lighting industry, PD switches can be used to control and power intelligent lighting systems, particularly in places without easily accessible power sources.



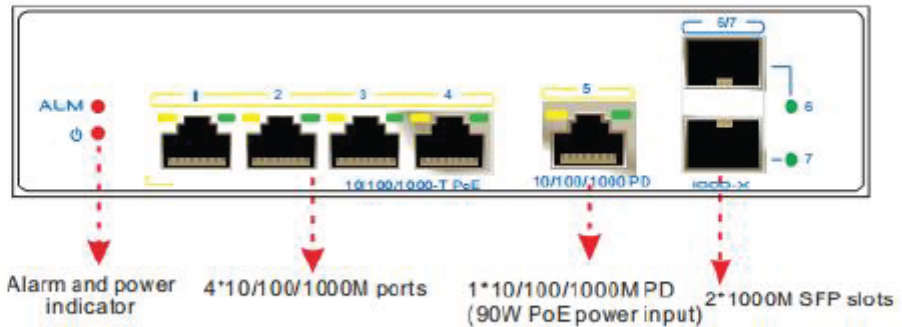
No. d'article: 219054
Numéro de fabricant: ALL-SGI8007PD

10. Cybersecurity and Network Segmentation: PD switches provide the ability to regulate power supply at specific times, enhancing security by restricting network access to certain devices.

These diverse use cases illustrate how switches with PoE inputs can provide a flexible and reliable solution to address power supply and networking challenges across various sectors.

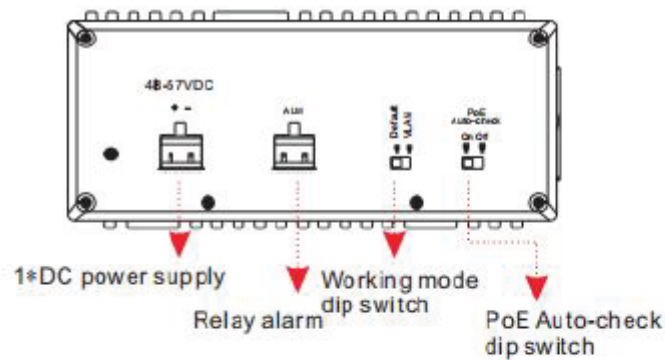
❖ Panel diagram

● Front panel



Attention 1: This product must be well grounded against lightning, please use better than 20# cable to connect the grounding terminal and ground.

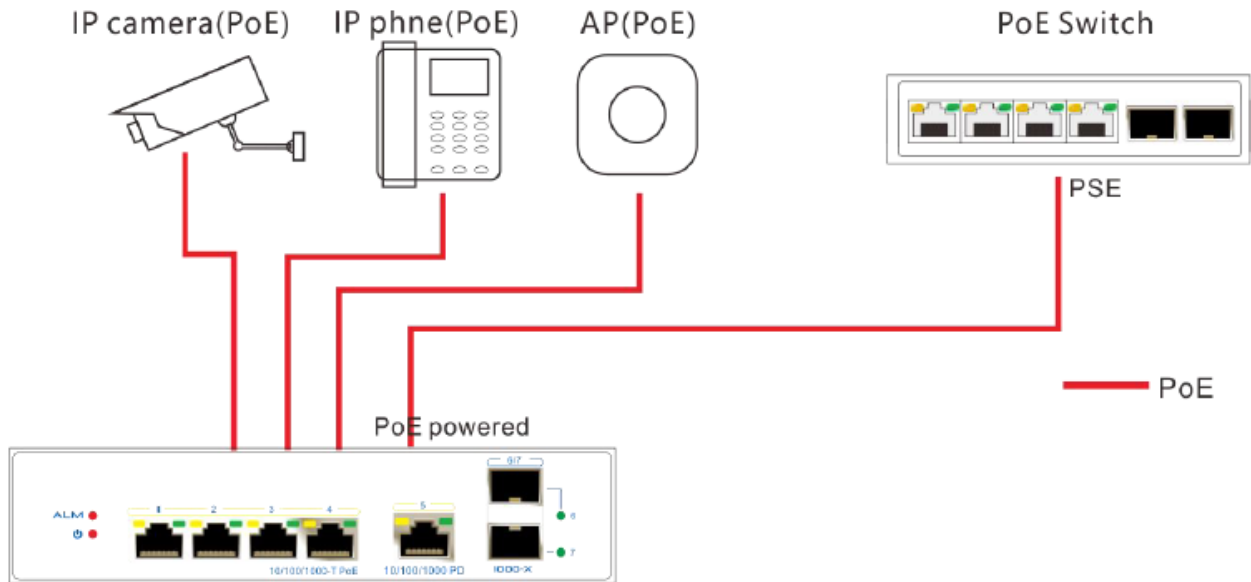
● Left panel



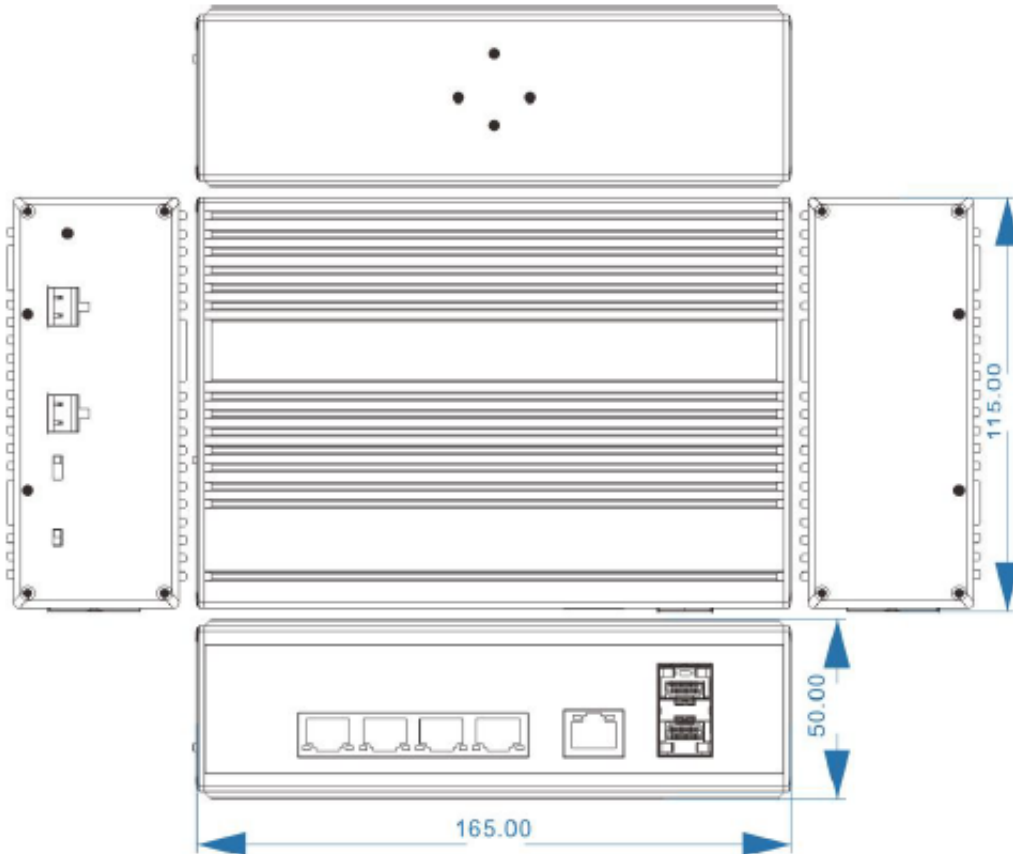
Attention 2:
 Default, VLAN mode: It can be selected by dip switch.
 Default mode: normal switch mode.
 VLAN: ports 1~4 are isolated from each other and can only communicate with the uplink port; restrain the network storm; turn off the flow control.

Attention 3:
 POE Auto-check: PoE Auto-check function is open/ closed by dip switch.
 The switch always auto detect 1~4 ports whether frozen, if some ports are frozen, the switch will restart them, but other ports are unaffected.

❖ Application



❖ Dimensions



Technical Details:

Parameter	Specifications
Power supply	Powered by power adaptor
Range of voltage	DC 48~57V
Consumption	Self consumption<5W
Downlink ports	Ports 1~4 10/100/1000Base-T 30W PoE RJ45(IEEE802.3af/at)
Uplink ports	Port 5: 10/100/1000Base-T 90W PoE RJ45; Ports 6~7 1000 SFP slots
PoE Auto-check	If detect the frozen PD device, restart it
Working mode	Default mode: normal switch mode.

	VLAN mode: ports 1~4 are isolated from each other and can only communicate with the uplink port; restrain the network storm; turn off the flow control.
Cable and distance	Use cat5e/6,100m max
Standard	IEEE802.3, IEEE802.3u, IEEE802.3z
Switch fabric	14Gbps
Though put	10.42Mpps
Buffer	1M
MAC address table	8K
Indicator	Power: 1 *red ;Uplink5~7: On RJ45 yellow and green LEDs indicate Link/Act Downlink 1~4: On RJ45 green LEDs indicate Link/Act, yellow LEDs indicate PoE
Protection	Surge: 6KV, standard: IEC61000-4-5 ESD: 8KV: contact/ 15KV: air,standard:IEC61000-4-2
Working temperature	-40°C ~ 75°C
Storage temperature	-40°C ~ 85°C
Humidity	0~95%(No condensation)
Dimension(LxWxH)	165mmx115 mmx50mm
Material	Aluminum
Colour	Black
Net-weight	500g

Attributs

Attribut	Valeur
Anzahl Ports PoE/LAN:	4/1
Belüftung Switch:	Lüfterlos
Einsatzort Switch:	Industrial DIN
Extra Features:	PD-PoE INPUT;
LAN Geschwindigkeit:	1Gbit/s
Management:	unmanaged
PoE Budget:	<100 Watt
PoE Port Leistung:	30W at



No. d'article: 219054
Numéro de fabricant: ALL-SGI8007PD

Attribut	Valeur
SFP Geschwindigkeit:	SFP 1GBit
Poids:	0.6 Kg
Garantie:	24.00 Mois

Accessoires

No. d'article	Désignation
188381	ALLNET PoE Inject PoE Gigabit (15,4W/30W/45/60/95W) "ALL0495BT"
131244	Mean Well Alimentation électrique du puits moyen - 48V 240W
140522	Mean Well power supply - 48V 120W DIN rail, narrow
146994	Mean Well Power Supply - 48V 480W DIN Rail
128033	ALLNET Switch Modul ALL4750-INDU SFP(Mini-GBIC), 1000Mbit MM
128034	ALLNET Module de commutation ALL4751-INDU SFP(M-GBIC), 1G SM
166757	ALLNET Switch Modul ALL4752-INDU SFP(Mini-GBIC), 1000Mbit, LX/LC, 20KM, Industrial, -40/+85 Grad,
193149	ALLNET Switch Modul ALL4761-INDU SFP(Mini-GBIC), 1000Mbit, WDM(Bidi)/LC, Tx1310nm/Rx1490nm, 9u, 20Km, Industrial -40/+85 Grad,
193150	ALLNET Switch Modul ALL4762-INDU SFP(Mini-GBIC), 1000Mbit, WDM(Bidi)/LC, Tx1490nm/Rx1310nm, 9u, 20Km, Industrial -40/+85 Grad,
208404	ALLNET Switch Modul ALL4765-INDU SFP(Mini-GBIC), 1000Mbit, RJ45(TP), Industrial -40/+85 Grad,

[Cliquez ici pour découvrir d'autres articles de cette catégorie dans notre boutique.](#)