

Type	Single Fiber
Cladding Diameter	125 um
Cleaved Length	Single fiber: 5~16mm
Applicable Fiber Cable	Single fiber: 250um, 900um, 3.0mm fiber cable and flat cable fiber
Holder	Single fiber Universal Holder
Typical Cleaved Angle	0.5 °
Typical Blade Life	36,000 times (3 height x 12 positions)
Rotatable position	12
Operation Steps	2 Steps
Reclaim Function	Blade pushback
Bare Size, Weight	62H x 64W x 74D mm
Weight	0.75Pounds(341g)

- Note:
1. ROHS 2.0 & REACH Compliant
  2. Packing: 1pc+manual /box+label

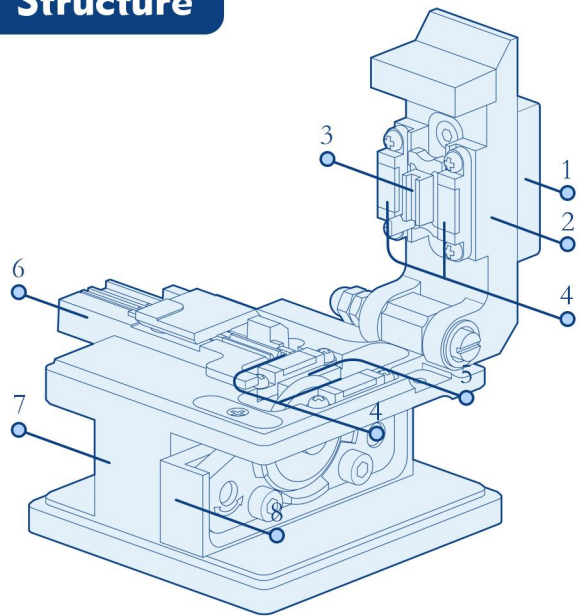
SYNERGY 21											
CUSTOMER					ITEM NO.		S215662				
PRODUCT NAME		Fiber tool precision fiber cleaver								UNIT	mm
BY	CHK	NEW			2024/4/29	A	DRAWNBY	CHECKBY	APPOBY	DATE	
		REVISION RECORD MODIFICATIONS			DATE	REV.	SYNERGY 21	SYNERGY 21		2024/4/29	

# HIGH PRECISION FIBER CLEAVER INSTRUCTION MANUAL

## Attention Please Read Me Before Operation

- Please store the product in a dry and clean place at ordinary temperature.
- Don't wet the product, hit it violently, or wipe the rubber pad with alcohol.
- Please clean the dirt on pressure board regularly.
- Constantly clean the collector and ensure no dust and oil dirties inside.

## Product Specifications And Structure

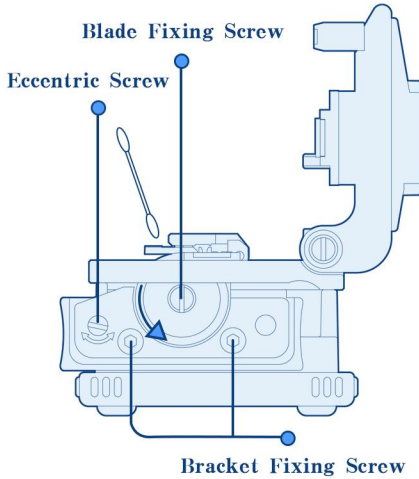
Product Model	Fiber Cleaver	▼ Structure
Applicable Bare Fiber Diameter	125μm	
Applicable Fiber Core	Singe Core	
Fiber Cutting Length	5~10mm	
Average Cutting Angle	≤0.8°	
Blade Life	≥32000 Times ※(1000 Timesx16 Position * 2~3 Adjustable Height)	
Dimension	67W*62D*55H(mm)	
Weight	234g	
Fiber Fixture	3&1 Fixture	
Standard	Box/User Manual/Allen Key	
Optional Accessories	Collector/Multifunctional Fixture	

## Replacement And Adjustment of Blade

### Tips:

When the blade cannot cut the fiber normally, please clean the blade and fiber fixture. If it still cannot be used normally, it indicates that the cutter point has been completely consumed. Please adjust the blade position according to the 1-16 cutting points marked on the blade or replace the blade.

**▼ Blade Position Changing Method**



1. Loosen the **Blade Fixing Screws** with a slotted screwdriver.
2. Rotate the cutter edge to a new position.

**Tips:** Press the blade with a cotton swab and turn the blade counterclockwise along the scale.

**▼ Blade Height Adjustment Method**

1. Loosen the below two Bracket fixing screw by allen key.
2. Slightly adjust the eccentric screw, clockwise to lift blade, counterclockwise is to lower blade height.
3. Put the bare into fixture and colse the cover of fixture. Then push the slider back and forth to check the hight of blade is correct. Finally fix the screws.

**► Replace Blade**

1. Loosen blade fixing screw, remove the old blade with plastic tweezers, install new blade.
2. Adjust blade height according the method of blade height adjusting.

**● Cutting Step**

<p>①</p>	<p>②</p>	<p>③</p>
<p>Initial state of the fiber cleaver.</p>	<p>Open the <b>Cover plate</b> and <b>Fiber Fixture Cover</b>.</p>	<p>Align the scales and ensure that the fiber in horizontal state.</p>
<p>④</p>	<p>⑤</p>	<p>⑥</p>
<p>Close the <b>Cover Plate</b> and push the <b>Slider</b> backward to finish cutting.</p>	<p>Open the <b>Fiber Fixture Cover</b>, the <b>Slider</b> will return back automatically.</p>	<p>Open the <b>Fiber Fixture Cover</b> and take out the optical fiber.</p>