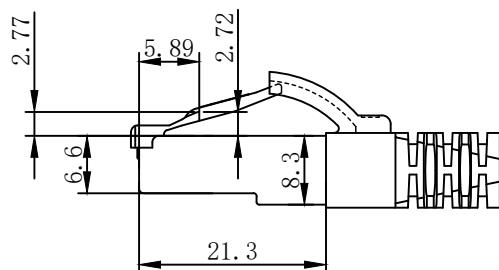




CAT. 5E/Class D SF/UTP 26AWG×4P PVC PATCH ISO/IEC 11801 & EN 50173 VERIFIED www.Synergy21.de **CE**



PIN OUT



NOTE:

- Electrical test:
 - 100% open short & miss wire test;
 - Insulation resistance:DC 300V 3MΩ ;
 - Contact resistance:15Ω ;
- ROHS 3.0 AND REACH COMPLIANT
- Operating temperature:-20℃~+60℃
- Fluke Channel Test ISO 11801 Channel Class D
- Minimum of the bending radius is 60mm

MATERIAL LIST:

| ⑥ | LABEL | NO DRY GLUE LABEL | 1 | |
|-----|------------------|---|-------|--------|
| ⑤ | MINI TIE | PE MINI TIE(POSSESS METAL) | 2 | |
| ④ | POLYETHYLENE BAG | SYNERGY 21 SLIP PE BAG | 1 | |
| ③ | CABLE | SF/UTP CAT. 5e 26AWG (CCA)*4PAIRS+DRAIN+AL-FOIL +BRAID(AL-MG), CABLE JACKET: PVC OD=5.7±0.2mm | 1 | |
| ② | Over mold | 80A PVC ,COLOR:SEE THE CHART | 2 | |
| ① | CONNECTOR | RJ45 8P8C'S SHIELDED THE SHELL PLATED NICKEL , PIN GOLD PLATED 3u" | 2 | |
| NO. | PARTS NAME | SPECIFICATION STANDARD | QT' Y | REMARK |

| | | | | |
|-------|-----|----------------------------------|------------|------|
| Hasia | | change "ROSH 2.0" to "ROSH 3.0" | 2022-02-25 | A4 |
| | | Change Print Word | 2021-01-27 | A3 |
| | | Increase the minimum bend radius | 2018-11-30 | A2 |
| | | Change Over mold | 2018-08-31 | A1 |
| | | ADD "CE" MARK IN THE PRINT | 2016-01-08 | A |
| BY | CHK | REVISION RECORD MODIFICATIONS | DATE | REV. |

| | | | | | |
|-------------------|----------------------------|----------------------|------------|---------------|------------|
| SYNERGY 21 | | | | | |
| CUSTOMER NO. | | ITEM NO. | | SEE THE CHART | |
| PRODUCT NAME | CAT. 5e/Class D SF/UTP PVC | manufacture country: | CHINA | UNIT | MM |
| DRAWNBY | | CHECKBY | | APPOBY | |
| DATE | | DATE | | DATE | |
| SYNERGY 21 | SYNERGY 21 | SYNERGY 21 | SYNERGY 21 | SYNERGY 21 | 2016-01-08 |

CHART

| COLOR: BALCK (PANTONE BLACK 3C) | | |
|---------------------------------|-----------|------------------|
| ITEM NO. | LENGTH | PACKING |
| S215103 | 250±30 | SYNERGY 21 BAG A |
| S215110 | 500±30 | SYNERGY 21 BAG A |
| S215117 | 1000±30 | SYNERGY 21 BAG A |
| S215123 | 1500±50 | SYNERGY 21 BAG A |
| S215130 | 2000±50 | SYNERGY 21 BAG A |
| S215137 | 3000±70 | SYNERGY 21 BAG A |
| S215144 | 5000±70 | SYNERGY 21 BAG B |
| S215151 | 7500±150 | SYNERGY 21 BAG B |
| S215158 | 10000±200 | SYNERGY 21 BAG B |
| S215165 | 15000±200 | SYNERGY 21 BAG C |
| S215172 | 20000±300 | SYNERGY 21 BAG C |
| S215178 | 25000+300 | SYNERGY 21 BAG C |
| S215184 | 30000±300 | SYNERGY 21 BAG D |

| COLOR: RED (PANTONE 199C) | | |
|----------------------------|-----------|------------------|
| ITEM NO. | LENGTH | PACKING |
| S215102 | 250±30 | SYNERGY 21 BAG A |
| S215109 | 500±30 | SYNERGY 21 BAG A |
| S215116 | 1000±30 | SYNERGY 21 BAG A |
| S215122 | 1500±50 | SYNERGY 21 BAG A |
| S215129 | 2000±50 | SYNERGY 21 BAG A |
| S215136 | 3000±70 | SYNERGY 21 BAG A |
| S215143 | 5000±70 | SYNERGY 21 BAG B |
| S215150 | 7500±150 | SYNERGY 21 BAG B |
| S215157 | 10000±200 | SYNERGY 21 BAG B |
| S215164 | 15000±200 | SYNERGY 21 BAG C |
| S215171 | 20000+300 | SYNERGY 21 BAG C |
| S215177 | 25000+300 | SYNERGY 21 BAG C |
| S215183 | 30000±300 | SYNERGY 21 BAG D |

| COLOR: YELLOW (PANTONE 135C) | | |
|-------------------------------|-----------|------------------|
| ITEM NO. | LENGTH | PACKING |
| S215099 | 250±30 | SYNERGY 21 BAG A |
| S215106 | 500±30 | SYNERGY 21 BAG A |
| S215113 | 1000±30 | SYNERGY 21 BAG A |
| S215119 | 1500±50 | SYNERGY 21 BAG A |
| S215126 | 2000±50 | SYNERGY 21 BAG A |
| S215133 | 3000±70 | SYNERGY 21 BAG A |
| S215140 | 5000±70 | SYNERGY 21 BAG B |
| S215147 | 7500±150 | SYNERGY 21 BAG B |
| S215154 | 10000±200 | SYNERGY 21 BAG B |
| S215161 | 15000±200 | SYNERGY 21 BAG C |
| S215168 | 20000+300 | SYNERGY 21 BAG C |
| S215174 | 25000+300 | SYNERGY 21 BAG C |
| S215181 | 30000±300 | SYNERGY 21 BAG D |

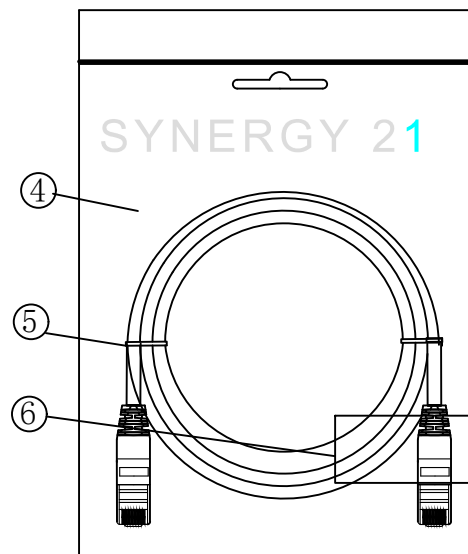
| COLOR: GREEN (PANTONE 3278C) | | |
|-------------------------------|-----------|------------------|
| ITEM NO. | LENGTH | PACKING |
| S215101 | 250±30 | SYNERGY 21 BAG A |
| S215108 | 500±30 | SYNERGY 21 BAG A |
| S215115 | 1000±30 | SYNERGY 21 BAG A |
| S215121 | 1500±50 | SYNERGY 21 BAG A |
| S215128 | 2000±50 | SYNERGY 21 BAG A |
| S215135 | 3000±70 | SYNERGY 21 BAG A |
| S215142 | 5000±150 | SYNERGY 21 BAG B |
| S215149 | 7500±150 | SYNERGY 21 BAG B |
| S215156 | 10000±200 | SYNERGY 21 BAG B |
| S215163 | 15000±200 | SYNERGY 21 BAG C |
| S215170 | 20000±300 | SYNERGY 21 BAG C |
| S215176 | 25000+300 | SYNERGY 21 BAG C |
| S215182 | 30000±300 | SYNERGY 21 BAG D |

| COLOR: BLUE (PANTONE 7462C) | | |
|------------------------------|-----------|------------------|
| ITEM NO. | LENGTH | PACKING |
| S215098 | 250±30 | SYNERGY 21 BAG A |
| S215104 | 500±30 | SYNERGY 21 BAG A |
| S215111 | 1000±30 | SYNERGY 21 BAG A |
| S215118 | 1500±50 | SYNERGY 21 BAG A |
| S215124 | 2000±30 | SYNERGY 21 BAG A |
| S215131 | 3000±70 | SYNERGY 21 BAG A |
| S215138 | 5000±150 | SYNERGY 21 BAG B |
| S215145 | 7500±150 | SYNERGY 21 BAG B |
| S215152 | 10000±200 | SYNERGY 21 BAG B |
| S215159 | 15000±200 | SYNERGY 21 BAG C |
| S215166 | 20000+300 | SYNERGY 21 BAG C |
| S215173 | 25000+300 | SYNERGY 21 BAG C |
| S215179 | 30000±300 | SYNERGY 21 BAG D |

| | | | | | | | | | | | |
|------------|--|-----|--|--|--|-------------------------------|--|----------------------------|--|----------------------|--|
| | | | | | | | | | | | |
| SYNERGY 21 | | | | | | | | | | | |
| | | | | | | CUSTOMER NO. | | ITEM NO. | | SEE THE CHART | |
| | | | | | | PRODUCT NAME | | CAT. 5e/Class D SF/UTP PVC | | manufacture country: | |
| | | | | | | CHINA | | UNIT | | MM | |
| | | NEW | | | | 2009-04-21 | | A | | | |
| | | | | | | DRAWNBY | | CHECKBY | | APPOBY | |
| | | | | | | DATE | | REV. | | | |
| BY | | CHK | | | | REVISION RECORD MODIFICATIONS | | DATE | | REV. | |
| | | | | | | SYNERGY 21 | | SYNERGY 21 | | SYNERGY 21 | |
| | | | | | | | | | | 2012-08-06 | |

CHART

| COLOR:GREY(PANTONE 421C) | | |
|---------------------------|-----------|------------------|
| ITEM NO. | LENGTH | PACKING |
| S215100 | 250±30 | SYNERGY 21 BAG A |
| S215107 | 500±30 | SYNERGY 21 BAG A |
| S215114 | 1000±30 | SYNERGY 21 BAG A |
| S215120 | 1500±50 | SYNERGY 21 BAG A |
| S215127 | 2000±50 | SYNERGY 21 BAG A |
| S215134 | 3000±70 | SYNERGY 21 BAG A |
| S215141 | 5000±70 | SYNERGY 21 BAG B |
| S215148 | 7500±150 | SYNERGY 21 BAG B |
| S215155 | 10000±200 | SYNERGY 21 BAG B |
| S215162 | 15000±200 | SYNERGY 21 BAG C |
| S215169 | 20000±300 | SYNERGY 21 BAG C |
| S215175 | 25000±300 | SYNERGY 21 BAG C |
| S215181 | 30000±300 | SYNERGY 21 BAG D |
| S215198 | 40000±400 | SYNERGY 21 BAG D |
| S215199 | 50000±400 | SYNERGY 21 BAG D |



| | | | | | | | | | | |
|----|-----|-------------------------------|------------|------|-------------------|---------------------------|----------------------|------------|---------------|----|
| | | | | | SYNERGY 21 | | | | | |
| | | | | | CUSTOMER NO. | | ITEM NO. | | SEE THE CHART | |
| | | | | | PRODUCT NAME | CAT.5e/Class D SF/UTP PVC | manufacture country: | CHINA | UNIT | MM |
| | | NEW | 2009-04-21 | A | DRAWNBY | CHECKBY | APPOBY | DATE | | |
| BY | CHK | REVISION RECORD MODIFICATIONS | | DATE | REV. | SYNERGY 21 | SYNERGY 21 | SYNERGY 21 | 2012-08-06 | |